

MAAX SUBMITTAL SPECIFICATIONS

B3X 6036 Left

MODEL NUMBER 420032-502

DIMENSIONS: 60" x 36" x 3" Acrylic

Project :

Contractor :

MAAX Representative : Tel :

Date :

www.maax.com

Vivez l'expérience
MAAX[®]
Enjoy the experience

STANDARD FEATURES

- 3 1/4" threshold acrylic shower base with square center drain
- Optimize floor design improving showering space
- 2.5" high tiling flanges to ensure watertightness
- Integrated weep holes providing superior water management in tile wall application
- Smooth floor
- Square stainless steel grid & ABS drain included (optional PVC drain for high rise construction also available)

OPTIONS

- PVC drain
- ABS Square drain - Dark Bronze
- ABS Square drain - Brushed Nickel
- PVC Square drain - Dark Bronze
- PVC Square drain - Brushed Nickel
- PVC drain (Acc.)

UNIQUE FEATURES

- None

SYSTEMS

- None

DOOR SELECTION

Combine with MAAX's complete shower door offering visit www.maax.com

CERTIFICATIONS

Maax products adhere to one or more of the following certifications:



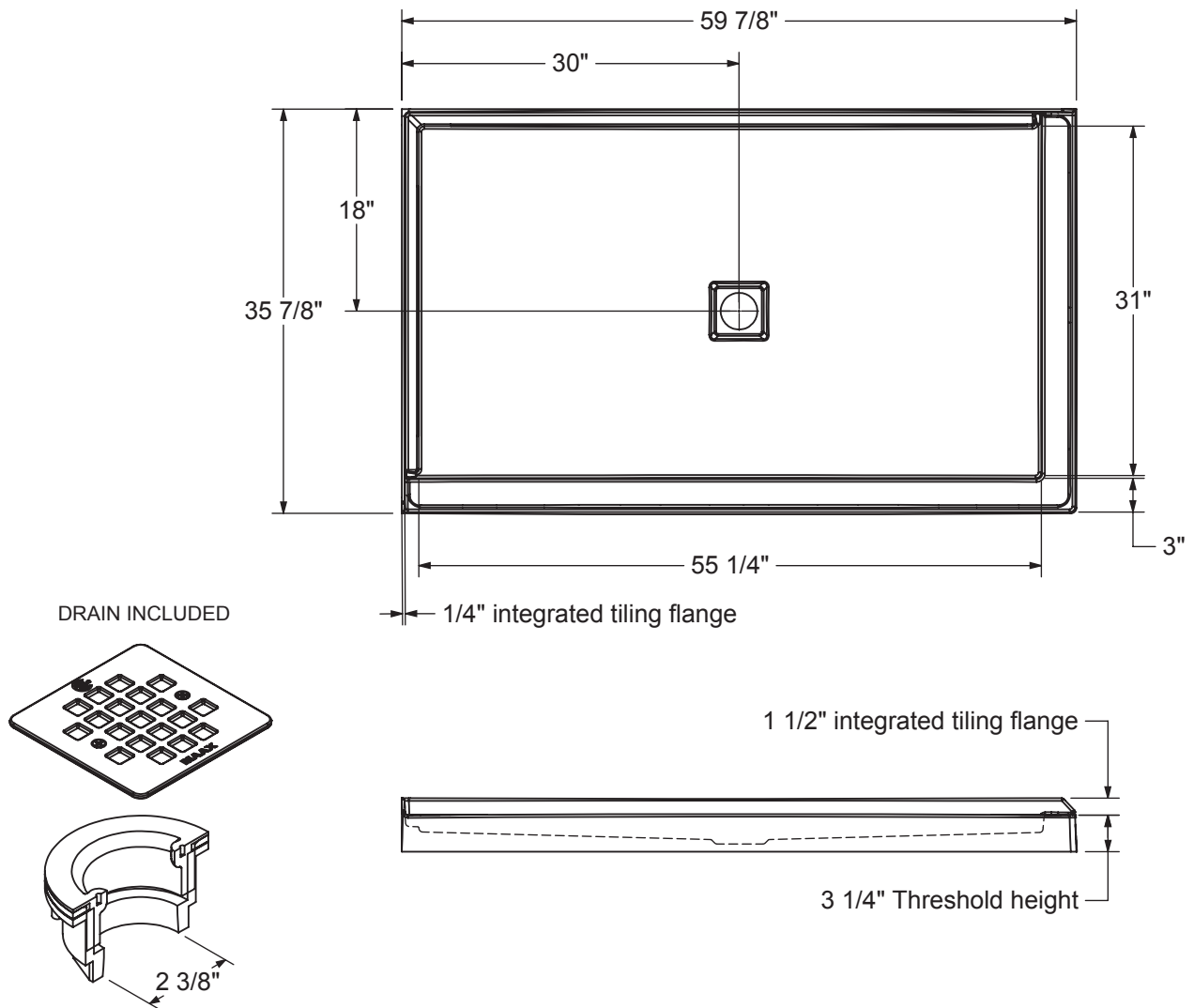
2017-11-09

MAAX SUBMITTAL SPECIFICATIONS

B3X 6036 Left

MODEL NUMBER 420032-502

TECHNICAL DRAWINGS



All dimensions are approximate. Structure measurements must be verified against the unit to ensure proper fit.