

Valentina

Model number:

107174

Dimensions: 66.875" x 31.5" x 23.5"

Installation: Freestanding

Material: Acrylic



Standard Features:

- Matte Finish
- Slim profile with clean thin edges
- Seamless 1-piece bathtub with a symmetrical look
- Trimless linear overflow
- Overflow plumbing pre-installed
- F2 Drain compatible

Product characteristics:

- 1-Piece Tub

Warranty:

25 Years

Standard Colors:



Matte White (240)

Certifications



one or more of the following certifications:

Valentina

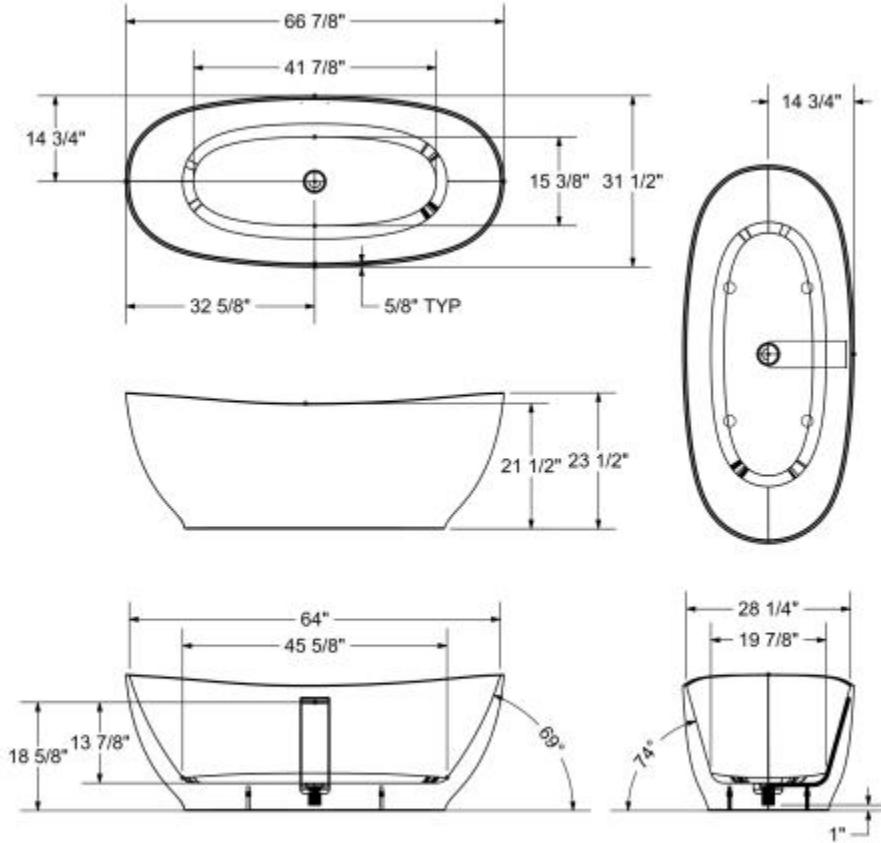
Model number:

107174

Dimensions: 66.875" x 31.5" x 23.5"

Installation: Freestanding

Material: Acrylic



Dimensions

67 x 31 1/2 x 23 1/2 In.
(1657 x 749 x 597 mm)

Water Capacity

63 gallons

Weight

95 lbs - 43.18 kg

Bathing Well

64 In. x 28 1/4 In.
(1626 mm x 718 mm)

Deep Sump Height

16.88 In. - 429 mm

Drain location:

Center

- All dimensions are approximate
- Structure measurements must be verified against the unit to ensure proper fit
- Installation to be completed in accordance with manufacturers specifications
- Do not scale drawings

Project: _____

Contractor: _____

Representative: _____

Date: _____

Tel: _____

Notes: _____
