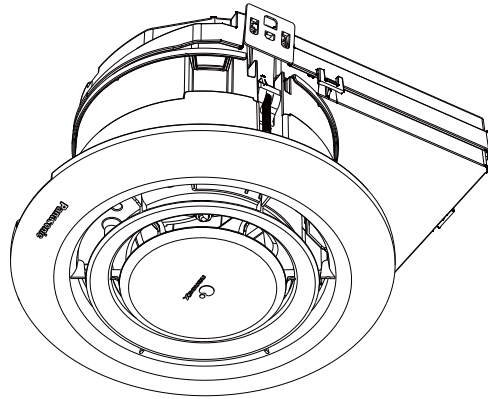


Service Manual

Air Purifier

(North America Market)



FV-01VCN1

⚠ WARNING

This service information is designed for experienced repair technicians only and is not designed for use by the general public. It does not contain warnings or cautions to advise non-technical individuals of potential dangers in attempting to service a product. Products powered by electricity should be serviced or repaired only by experienced professional technicians. Any attempt to service or repair the product or products dealt with in this service information by anyone else could result in serious injury or death.

IMPORTANT SAFETY NOTICE

There are special components used in this equipment which are important for safety. These parts are marked by ⚠ in the Schematic Diagrams, Exploded Views and Replacement Parts List. It is essential that these critical parts should be replaced with manufacturer's specified parts to prevent shock, fire or other hazards. Do not modify the original design without the manufacturer's approval. Please have a static electricity depletion process in place before handling these components.. Please use gloves when handling PCB parts during the repair process..

CONTENTS	PAGE
1.Specification.....	1
2.Parts Identification.....	2, 3
3.Wiring Section & Diagram	4,5
4.Parts List.....	6

1. Specification

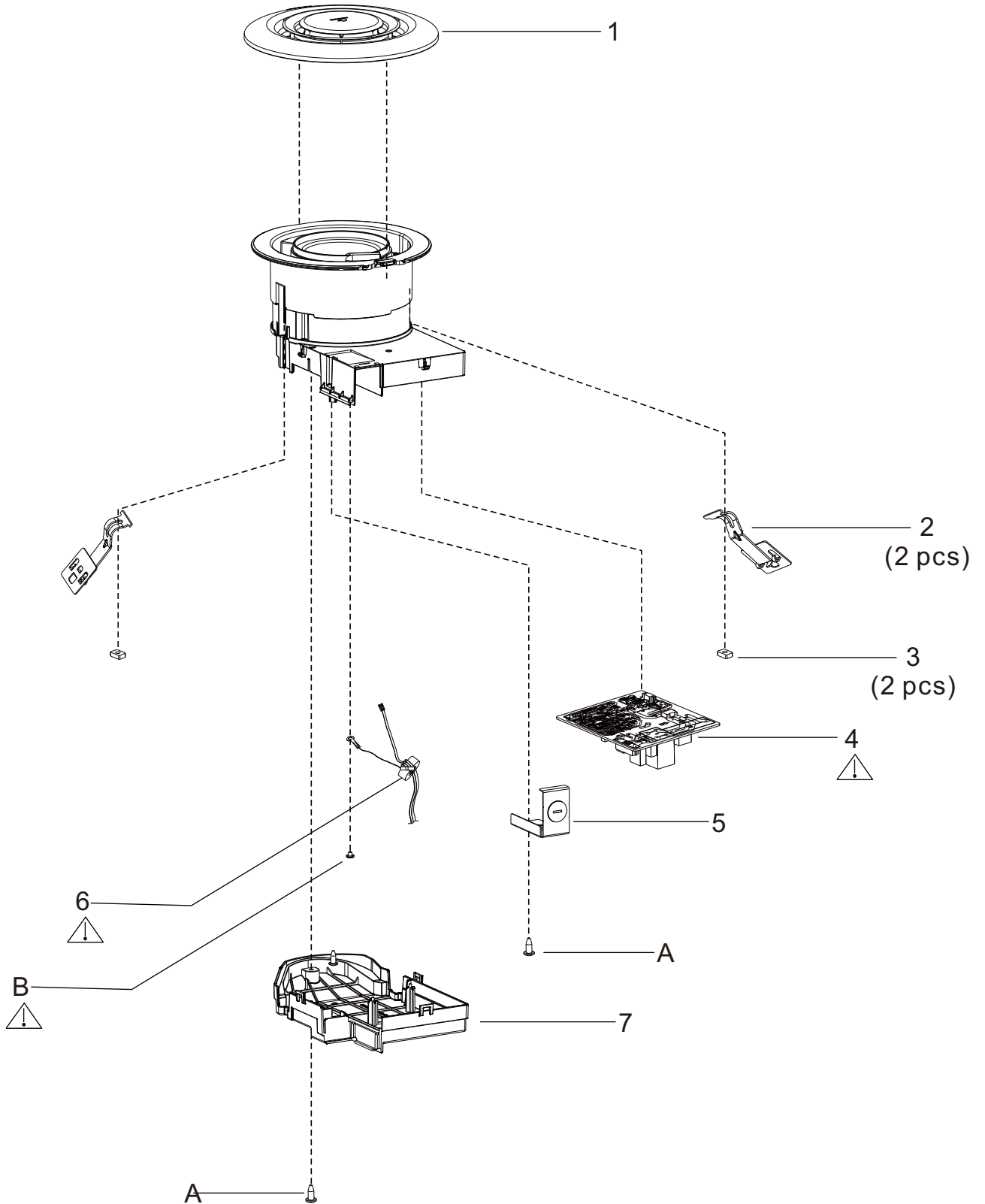
FV-01VCN1

Rated Voltage [V]	Rated Frequency [Hz]	Air Volume [CFM]	Noise [sones]	Speed [rpm]	Power Consumption [W]	Net weight [Lb (kg)]
120	60	9	< 0.3	1510	4.0	3.1 (1.4)

2. Parts Identification

FV-01VCN1

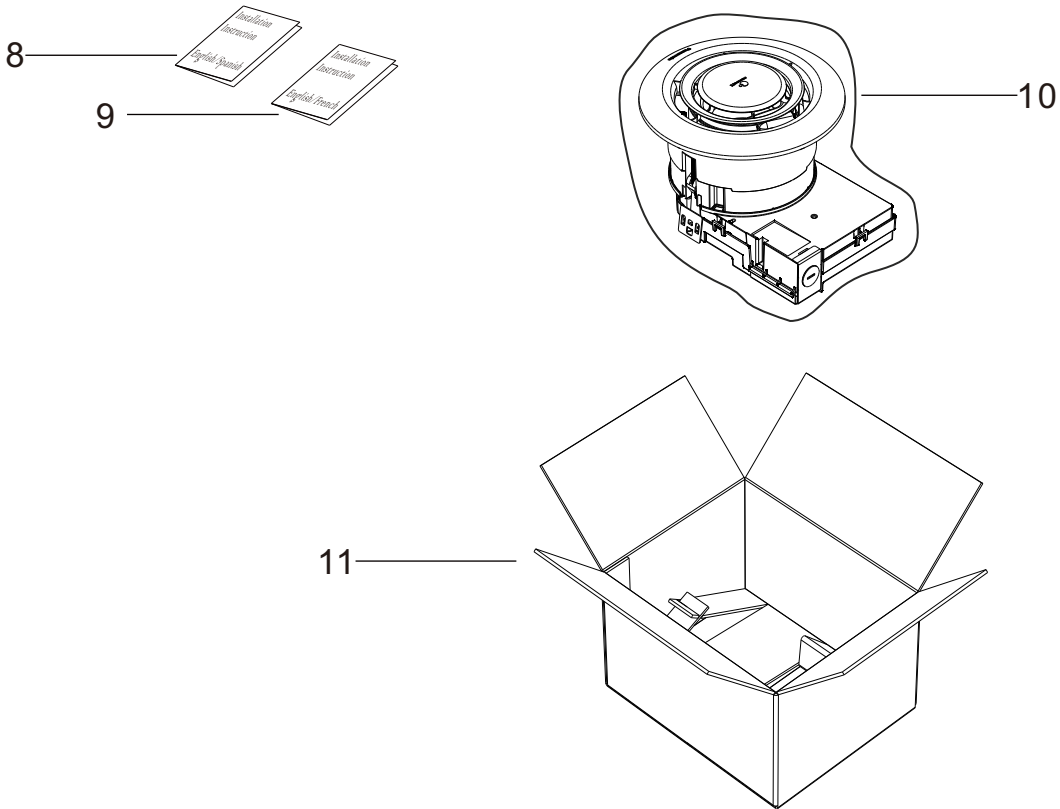
Main Body Section



2. Parts Identification

FV-01VCN1

Packing Section

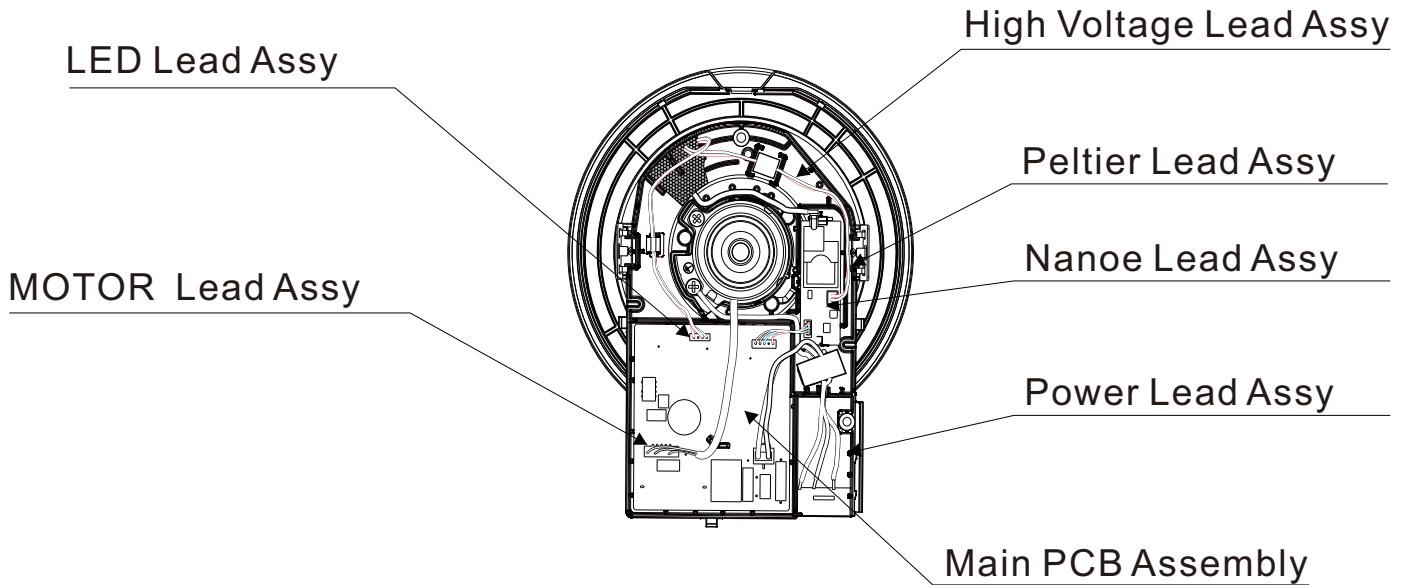


Main Label



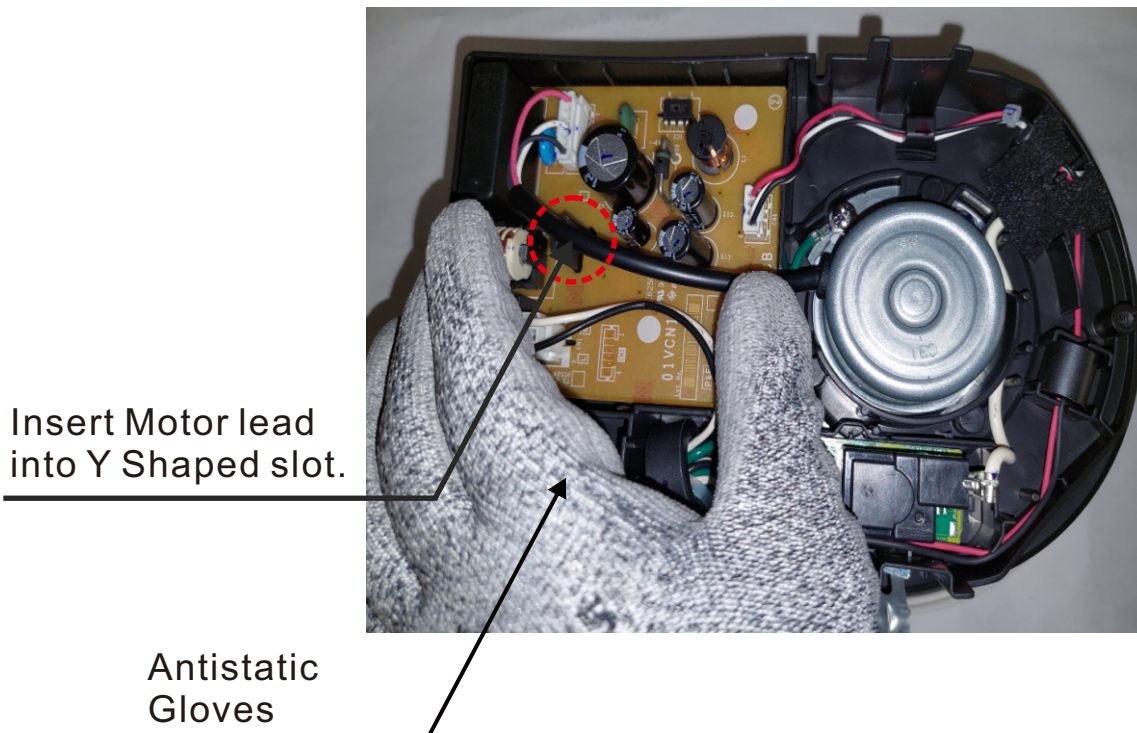
3. Wiring Section

FV-01VCN1

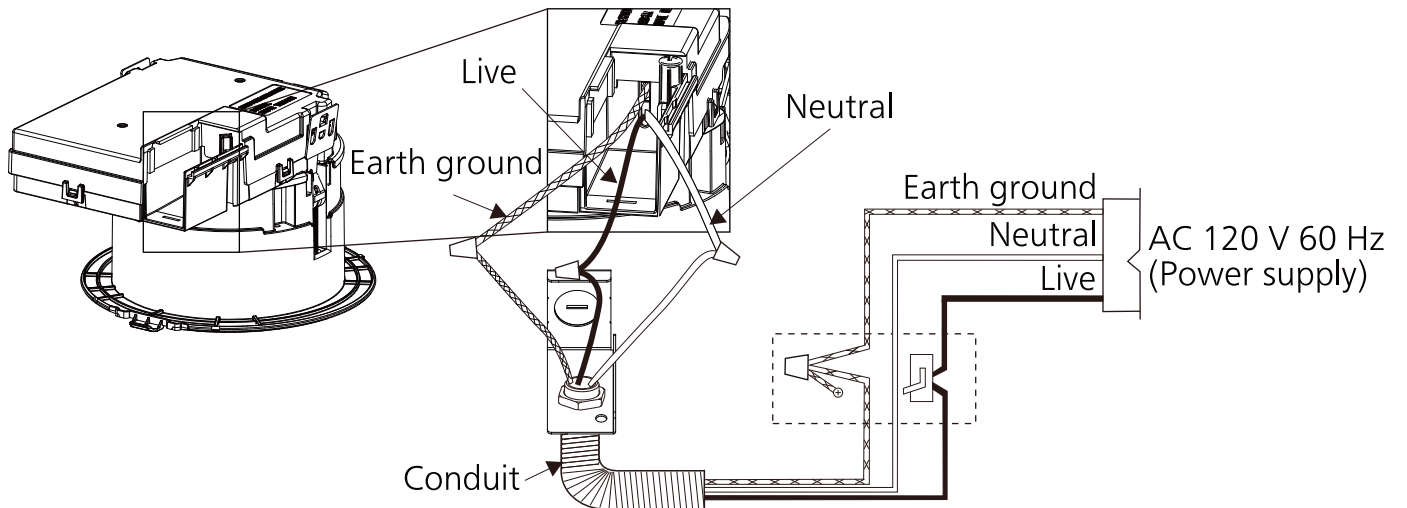
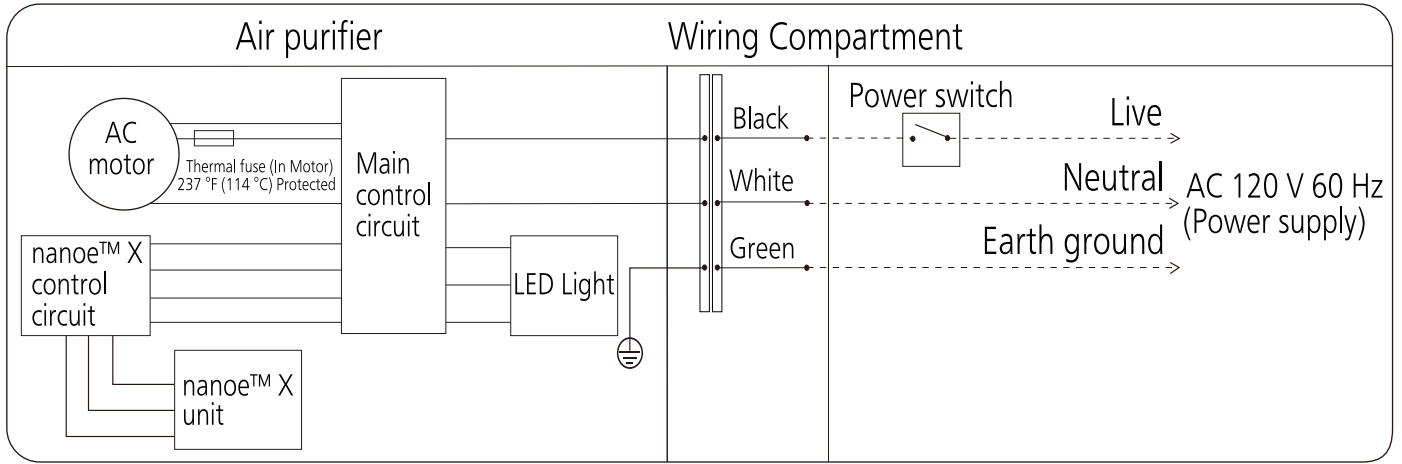


When replacing the Lead Wire or Main PCB, please be sure to hold the Main PCB in place before pulling out the lead wire. Otherwise the PCB may be deformed or damaged because it does not have screws.

Always take measures to prevent electrostatic discharge when handling these parts.





3. Wiring Diagram



4. Parts List

FV-01VCN1

Main Body Section

No.	Part No.	Part Name	Q'ty	Remark
1	FFV01VCN1932	GRILL ASSEMBLY	1	
2	FFV01VCN1920	INSTALL PLATE ASSY	1	
3	FFV01VCN1923	INSTALL NUT	1	
4	FFV00001VCN1	MAIN PCB ASSEMBLY	1	
5	FFV01VCN1911	JUNCTION COVER	1	
6	FFV01VCN1126	POWER LEAD ASSY	1	
7	FFV01VCN1532	ELECTRICAL CASE COVER	1	
8	FFV01VCN1420	INSTALLATION INST. (ES)	1	English & Spanish
9	FFV01VCN1421	INSTALLATION INST. (EF)	1	English & French
10	FFV4650016S	POLY COVER	1	
11	FFV01VCN1400	PACKING CASE ASSEMBLY	1	
12	FFV01VCN1050	NAME PLATE	1	
A	FFV7000089S	TRUSS TAP SCREW	2	
B	FFVXYM4DC8BN	SCREW W/WASHER(M4-12)	1	