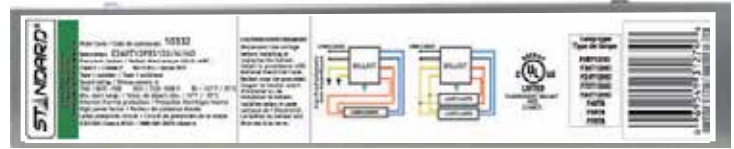


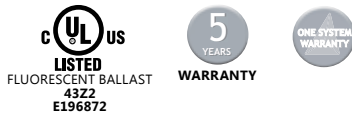
ORDERING INFORMATION

Order code: 10332
 Description: E260T12PRS120/N/HO
 UPC: 69549103320



SPECIFICATIONS

Ballast type:	Electronic	Type	1 Outdoor
Starting method:	Program Rapid Start	Contains PCBs:	No
Lamp connection:	Parallel	Sound rating:	A
Input voltage (V):	120	Open current voltage (OCV) (V):	600
Input frequency (Hz):	60	Inherent thermal protection:	Yes
Max. case temperature:	75 °C	Lamp protection circuit:	Yes
Thermal protection:	Class P	ICES-005 Compliant:	Class A RFLD
		Auto-restrike:	Yes



Lamp type	Number of lamps	Rated lamp watts	Min. start temp. (°F / °C)	Input current (A)	Input power (ANSI watts)	Ballast factor	Max THD (%)	Power factor	Max. lamp current crest factor	B.E.F.
120 VOLTS										
F48T12HO (60W)	2	60	14/-10	0.89	106	0.85	10	0.99	1.7	0.80
F58T8 (58W)	2	58	14/-10	0.97	115	0.92	10	0.99	1.7	0.80
F36T12HO (50W)	2	50	14/-10	0.81	97	0.86	10	0.99	1.7	0.89
F24T12HO (35W)	2	35	14/-10	0.56	68	0.88	10	0.99	1.7	1.29
F48T12HO (60W)	1	60	14/-10	0.54	65	0.91	10	0.99	1.7	1.40
F58T8 (58W)	1	58	14/-10	0.53	64	1.00	10	0.99	1.7	1.56
F36T12HO (50W)	1	50	14/-10	0.44	53	0.93	10	0.99	1.7	1.75
F24T12HO (35W)	1	35	14/-10	0.32	38	0.95	15	0.99	1.7	2.50
F72T12HO (85W)	1	85	14/-10	0.66	78	0.75	10	0.99	1.7	0.96
F70T8 (70W)	1	70	14/-10	0.61	73	0.85	10	0.99	1.7	1.16
F60T12HO (75W)	1	75	14/-10	0.60	72	0.82	10	0.99	1.7	1.14
F40T8 (40W)	1	40	14/-10	0.60	72	1.21	10	0.99	1.7	1.68

This lighting equipment complies with Canadian standard ICES-005; for use in commercial applications.

WARRANTY:

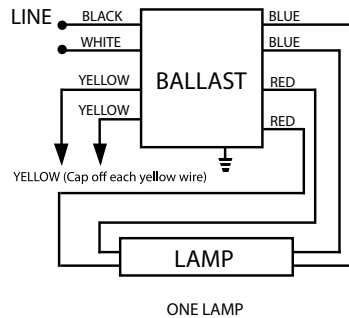
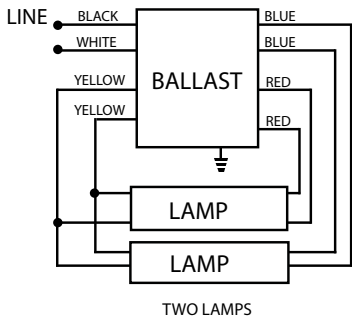
Ballast warranty of 5 years for electronic ballast 75 °C. Ballast warranty of 3 years for electronic ballast 90 °C. For more information visit our website.

Data is based upon tests performed in a controlled environment and representative of relative performance. Actual performance can vary depending on operating conditions. Specifications are subject to change without notice. March 9, 2015

ORDERING INFORMATION

Order code: 10332
 Description: E260T12PRS120/N/HO
 UPC: 69549103320

WIRING DIAGRAM

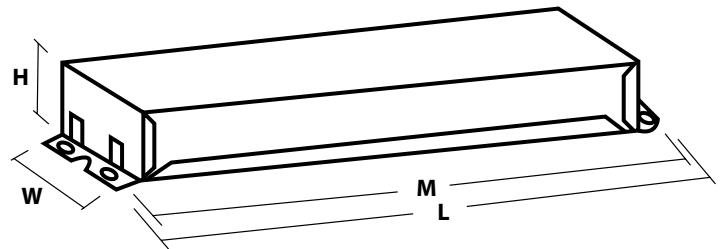


LEADS LENGTH

Black	31" (40.6 cm)
White	16" (40.6 cm)
Blue	31" (78.7 cm)
Red	46" (78.7 cm)
Yellow	16" (116.8 cm)
Blue/White	31" (78.7 cm)

BALLAST DIMENSIONS

Length (L):	9.50" (24.1 cm)
Width (W):	2.33" (5.9 cm)
Height (H):	1.46" (3.7 cm)
Mounting (M):	8.90" (22.6 cm)



This lighting equipment complies with Canadian standard ICES-005; for use in commercial applications.

WARRANTY:

Ballast warranty of 5 years for electronic ballast 75 °C. Ballast warranty of 3 years for electronic ballast 90 °C. For more information visit our website.

Data is based upon tests performed in a controlled environment and representative of relative performance. Actual performance can vary depending on operating conditions. Specifications are subject to change without notice.
 March 9, 2015