

Date: \_\_\_\_\_  
 In hands date of project: \_\_\_\_\_  
 Project name/Number: \_\_\_\_\_  
 Name of distributor: \_\_\_\_\_  
 Client #: \_\_\_\_\_  
 Name of end user: \_\_\_\_\_

## ORDERING INFORMATION

Order code: 66043  
 Description: LWP/CLASSIC/120W/40K/120-277/BRZ/STD  
 UPC: 69549660434  
 Case quantity: 1/1



## FEATURES AND SPECIFICATIONS

Commercial grade and robust die-cast construction ensures durability  
 Powder coating finish ensures resistance to cold and UV damage  
 Driver reliability in the coldest of temperatures (starting temperature rated to -40° C)  
 High quality LED chips ensure total efficiency

Type: Wall Pack Classic  
 Heat sink material: Diecast aluminum  
 Lens material: Glass  
 Operating temperature: -40 °C / -40 °F to 40 °C / 104 °F



## FIXTURE PERFORMANCE

Wattage (W): 120  
 Input Voltage (V): 120-277  
 Colour temperature (K): 4 000  
 Lumens (lm): 14 212  
 Efficacy (LPW): 118.43  
 CRI: >70  
 Beam (°): -  
 Average life (hrs): 50 000  
 IP rating: 65  
 Housing colour: Bronze  
 Photocell: Optional\*  
 B.U.G rating: B1-U4-G4  
 Dimmable: 0-10 V

## POWER FACTOR (PF)

120 V	≥0.9
277 V	≥0.9

## TOTAL HARMONIC DISTORTION (% THD)

120 V	7.78
277 V	11.37

\*This luminaire has an optional opening on top specifically designed for a photocell addition for field installation when needed.

CAN ICES-005 (B) - This lighting equipment complies with Canadian standard ICES-005 for use in residential applications.

The attached data is provided to assist users in making lighting decisions based on various assumptions, factors and methods. Resources and efforts have been put in place to account for the data and the development of this tool however STANDARD does not warrant or guarantee that the results obtained will be accurate under actual use conditions. A lighting layout is recommend to ensure the proper light levels are attained to satisfy the demand of the application

Data is based upon tests performed in a controlled environment and representative of relative performance.

Actual performance can vary depending on operating conditions. Specifications are subject to change without notice.

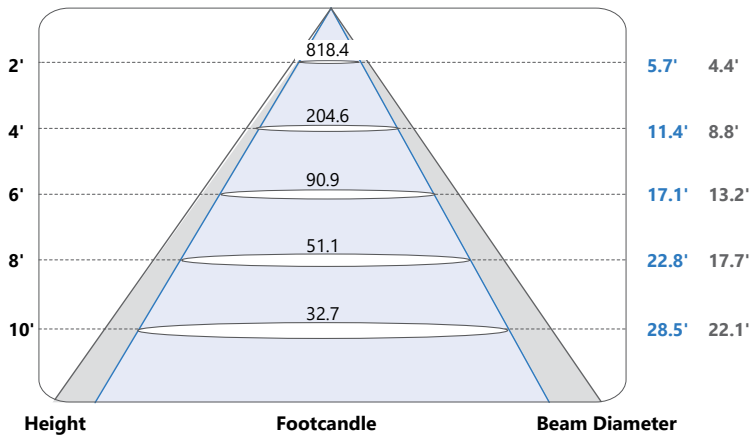


## ORDERING INFORMATION

Order code: 66043  
 Description: LWP/CLASSIC/120W/40K/120-277/BRZ/STD  
 UPC: 69549660434  
 Case quantity: 1/1

## PHOTOMETRICS - BEAM SPREAD\* (120 V)

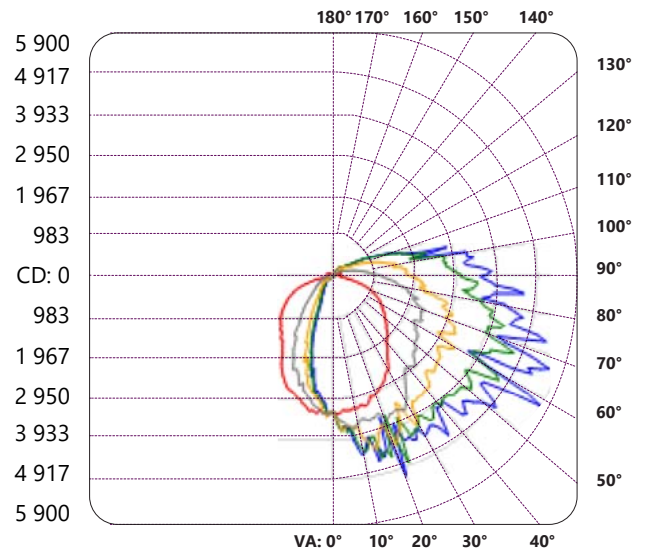
Vertical spread - 109.9°  
 Horizontal spread - 95.6°



\* complete IES files available online

## PHOTOMETRICS - CANDELA DISTRIBUTION\*

### Polar Candela Distribution



■ -0°H ■ -22.5°H ■ -45°H ■ -67.5°H ■ -90°H

CAN ICES-005 (B) - This lighting equipment complies with Canadian standard ICES-005 for use in residential applications.

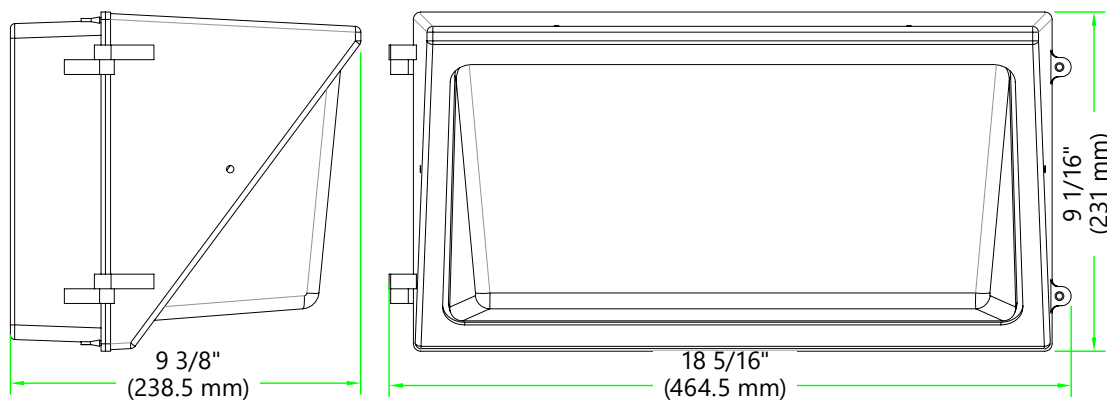
The attached data is provided to assist users in making lighting decisions based on various assumptions, factors and methods. Resources and efforts have been put in place to account for the data and the development of this tool however STANDARD does not warrant or guarantee that the results obtained will be accurate under actual use conditions. A lighting layout is recommend to ensure the proper light levels are attained to satisfy the demand of the application Data is based upon tests performed in a controlled environment and representative of relative performance. Actual performance can vary depending on operating conditions. Specifications are subject to change without notice.



## ORDERING INFORMATION

Order code: 66043  
 Description: LWP/CLASSIC/120W/40K/120-277/BRZ/STD  
 UPC: 69549660434  
 Case quantity: 1/1

## TECHNICAL DRAWINGS



## WARNINGS

- Installation and maintenance must be performed by licensed electricians only.
- To avoid risk of electric shock, make sure to turn off main power switch prior to installation or maintenance.
- Must be installed in compliance with Canadian Electrical Code in Canada or National Electrical Code (NEC) in the US.
- Make sure input voltage and frequency are compatible with the fixture. Check installation guide for power requirements prior to installation.

Qty	Description	Price

I accept the specifications of the luminaire configuration mentioned above.

Name: \_\_\_\_\_

Company: \_\_\_\_\_

Signature: \_\_\_\_\_

Date: \_\_\_\_\_

CAN ICES-005 (B) - This lighting equipment complies with Canadian standard ICES-005 for use in residential applications.

The attached data is provided to assist users in making lighting decisions based on various assumptions, factors and methods. Resources and efforts have been put in place to account for the data and the development of this tool however STANDARD does not warrant or guarantee that the results obtained will be accurate under actual use conditions. A lighting layout is recommend to ensure the proper light levels are attained to satisfy the demand of the application Data is based upon tests performed in a controlled environment and representative of relative performance. Actual performance can vary depending on operating conditions. Specifications are subject to change without notice.

