



LED Ceiling Luminaire

Discover our LED ceiling luminaire line equipped with high quality integrated LED: they are an energy efficient solution with a life rating of 50 000 hours. This line offers a pleasant, dimmable light making a great solution for any general lighting needs. Thanks to our variety of decorative options you can enjoy direct or indirect lighting fitting seamlessly into any commercial and residential installations.

LED Traditional

02



6", 8"



11", 14"

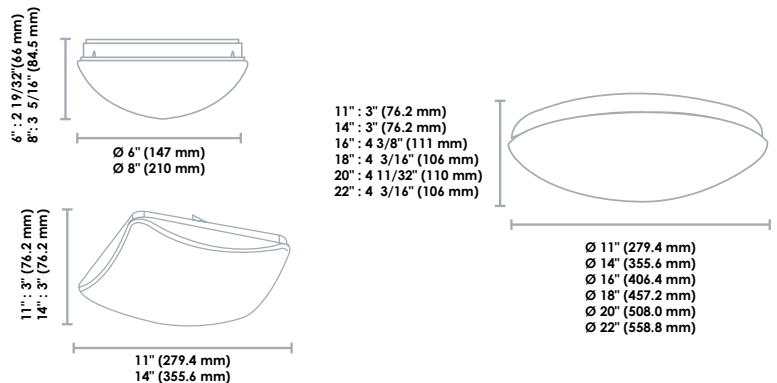


16", 18", 20", 22"

Order code	Description	Watts (W)	Volts (VAC)	Colour temp. (K)	Lumen output (lm)	CRI	Life L70 (hrs)	Size (in.)	Shape	Finish	Case qty (master)
6", 8"											
66716	LED/CL6/10W/30K/FM/RND/STD	10	120	3 000	785	80	50 000	6	Round	White	24
66717	LED/CL6/10W/40K/FM/RND/STD	10	120	4 000	822	80	50 000	6	Round	White	24
66718	LED/CL8/12W/30K/FM/RND/STD	12	120	3 000	1012	80	50 000	8	Round	White	12
66719	LED/CL8/12W/40K/FM/RND/STD	12	120	4 000	1049	80	50 000	8	Round	White	12
11", 14"											
65598	LED/CL11/15W/27K/FM/RND/STD	15	120	2 700	1 120	80	50 000	11	Round	White	4
66711	CL11/S2/15W/30K/RND/WH/STD	15	120	3 000	1 150	80	50 000	11	Round	White	4
66712	CL11/S2/15W/40K/RND/WH/STD	15	120	4 000	1 164	80	50 000	11	Round	White	4
63300	LED/CL11/15W/30K/FM/SQR/STD	15	120	3 000	1 020	80	50 000	11	Square	White	4
63301	LED/CL11/15W/40K/FM/SQR/STD	15	120	4 000	1 123	80	50 000	11	Square	White	4
66713	LED/CL14/25W/27K/FM/RND/STD	25	120	2 700	1 718	80	50 000	14	Round	White	4
66714	CL14/S2/25W/30K/RND/WH/STD	25	120	3 000	1 783	80	50 000	14	Round	White	4
66715	CL14/S2/25W/40K/RND/WH/STD	25	120	4 000	1 851	80	50 000	14	Round	White	4
63304	LED/CL14/25W/30K/FM/SQR/STD	25	120	3 000	1 723	80	50 000	14	Square	White	4
63305	LED/CL14/25W/40K/FM/SQR/STD	25	120	4 000	1 844	80	50 000	14	Square	White	4
16", 18", 20", 22"											
65665	LED/CL16/26W/30K/FM/RND/STD	26	120	3 000	2 034	80	50 000	16	Round	White	4
65666	LED/CL16/26W/40K/FM/RND/STD	26	120	4 000	2 170	80	50 000	16	Round	White	4
65667	LED/CL18/32W/30K/FM/RND/STD	32	120	3 000	2 644	80	50 000	18	Round	White	4
65668	LED/CL18/32W/40K/FM/RND/STD	32	120	4 000	2 898	80	50 000	18	Round	White	4
65661	LED/CL20/37W/30K/FM/RND/STD	37	120	3 000	3 098	80	50 000	20	Round	White	2
65662	LED/CL20/37W/40K/FM/RND/STD	37	120	4 000	3 144	80	50 000	20	Round	White	2
65663	LED/CL22/40W/30K/FM/RND/STD	40	120	3 000	3 424	80	50 000	22	Round	White	2
65664	LED/CL22/40W/40K/FM/RND/STD	40	120	4 000	3 534	80	50 000	22	Round	White	2

Replacement Lenses

Order code	Description	Replacement for
64867	LED/CL6/LENS/RND/STD	66716, 66717
64868	LED/CL8/LENS/RND/STD	66718, 66719
64869	LED/CL11/LENS/RND/STD	65598, 66711, 66712
64877	LED/CL11/LENS/SQR/STD	63300, 63301
64878	LED/CL14/LENS/RND/STD	66713, 66714, 66715
64879	LED/CL14/LENS/SQR/STD	63304, 63305



Lumen values are derived from photometric testing. For a complete list of compatible dimmers and ENERGY STAR qualified products, please visit www.standardpro.com

Shade

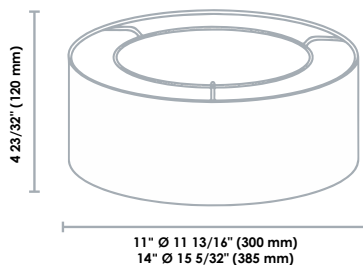
Our shades create a warm and elegant atmosphere. They complement our 11" and 14" LED traditional ceiling luminaires and are offered in assorted materials and textures which allows you to create a specific ambient style.

02

- Drum profile
- Materials and textures available: silk type, cork, wood, and linen type



Order code	Description	Shape	Material	Finish	Case qty (master)
Compatible for 11" traditional ceiling luminaires					
65681	LED/CL11/SHADE/RND/WHITE/STD	Round	Linen type	White	6
65682	LED/CL11/SHADE/RND/BEIGE/STD	Round	Linen type	Beige	6
65683	LED/CL11/SHADE/RND/BLACK/STD	Round	Linen type	Black	6
65684	LED/CL11/SHADE/RND/DGRAY/STD	Round	Linen type	Grey	6
65685	LED/CL11/SHADE/RND/WOOD/STD	Round	Wood	Wood	6
65686	LED/CL11/SHADE/RND/CORK/STD	Round	Cork	Cork	6
65687	LED/CL11/SHADE/RND/WFROST/STD	Round	Silk type	White frosted	6
66044	LED/CL11/SHADE/RND/BRNW/STD	Round	Wood	Barn wood	6
Compatible for 14" traditional ceiling luminaires					
65688	LED/CL14/SHADE/RND/WHITE/STD	Round	Linen type	White	6
65689	LED/CL14/SHADE/RND/BEIGE/STD	Round	Linen type	Beige	6
65690	LED/CL14/SHADE/RND/BLACK/STD	Round	Linen type	Black	6
65691	LED/CL14/SHADE/RND/DGRAY/STD	Round	Linen type	Grey	6
65692	LED/CL14/SHADE/RND/WOOD/STD	Round	Wood	Wood	6
65693	LED/CL14/SHADE/RND/CORK/STD	Round	Cork	Cork	6
65694	LED/CL14/SHADE/RND/WFROST/STD	Round	Silk type	White Frosted	6
66045	LED/CL14/SHADE/RND/BRNW/STD	Round	Wood	Barn wood	6



LED Brushed Nickel

02



6", 8"

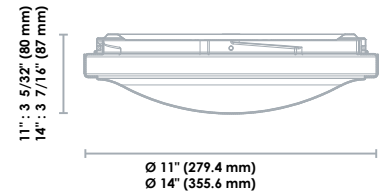
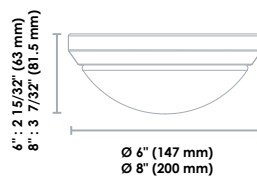


11", 14"

Order code	Description	Watts (W)	Volts (VAC)	Colour temp. (K)	Lumen output (lm)	CRI	Life L70 (hrs)	Finish	Case qty (master)
6" Round									
64247	LED/CLBN5.75/10W/30K/FM/RND/STD	10	120	3 000	640	80	50 000	Brushed nickel	24
64248	LED/CLBN5.75/10W/40K/FM/RND/STD	10	120	4 000	660	80	50 000	Brushed nickel	24
8" Round									
66722	CL8/S2/12W/30K/RND/BN/STD	12	120	3 000	951	80	50 000	Brushed nickel	12
64250	LED/CLBN7.75/12W/40K/FM/RND/STD	12	120	4 000	784	80	50 000	Brushed nickel	12
11" Round									
67146	CL11/S2/15W/30K/RND/BN/STD	15	120	3 000	1 176	80	50 000	Brushed nickel	4
64096	LED/CLBN11/15W/40K/FM/RND/STD	15	120	4 000	1 284	80	50 000	Brushed nickel	4
14" Round									
67148	CL14/S2/25W/30K/RND/BN/STD	25	120	3 000	1 884	80	50 000	Brushed nickel	4
64100	LED/CLBN14/25W/40K/FM/RND/STD	25	120	4 000	2 102	80	50 000	Brushed nickel	4

Replacement Lenses

Order code	Description	Replacement for
64880	LED/CLBN5.75/LENS/RND/STD	64247, 64248
64881	LED/CLBN7.75/LENS/RND/STD	66722, 64250
64882	LED/CLBN11/LENS/RND/STD	67146, 64096
64883	LED/CLBN14/LENS/RND/STD	67148, 64100



Lumen values are derived from photometric testing
 For a complete list of compatible dimmers and ENERGY STAR qualified products, please visit www.standardpro.com

LED Double Ring

02



Brushed nickel



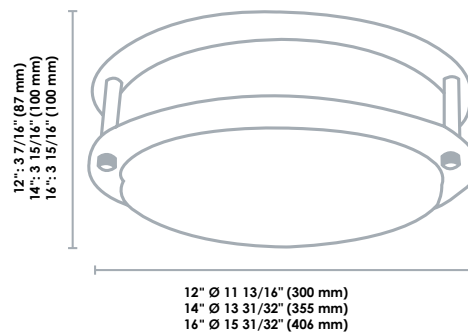
Black



Chrome

12", 14", 16"

Order code	Description	Watts (W)	Volts (VAC)	Colour temp. (K)	Lumen output (lm)	CRI	Life L70 (hrs)	Finish	Case qty (master)
12" Round									
66861	CLDR12/S2/20W/30K/RND/BN/STD	20	120	3 000	1 458	80	50 000	Brushed nickel	4
66862	CLDR12/S2/20W/40K/RND/BN/STD	20	120	4 000	1464	80	50 000	Brushed nickel	4
66855	CLDR12/S2/20W/30K/RND/BK/STD	20	120	3 000	1 458	80	50 000	Black	4
66858	CLDR12/S2/20W/30K/RND/CH/STD	20	120	3 000	1 458	80	50 000	Chrome	4
14" Round									
66863	CLDR14/S2/25W/30K/RND/BN/STD	25	120	3 000	1 860	80	50 000	Brushed nickel	4
66864	CLDR14/S2/25W/40K/RND/BN/STD	25	120	4 000	1 880	80	50 000	Brushed nickel	4
66856	CLDR14/S2/25W/30K/RND/BK/STD	25	120	3 000	1 860	80	50 000	Black	4
66859	CLDR14/S2/25W/30K/RND/CH/STD	25	120	3 000	1 860	80	50 000	Chrome	4
16" Round									
66865	CLDR16/S2/26W/30K/RND/BN/STD	26	120	3 000	1 923	80	50 000	Brushed nickel	2
66866	CLDR16/S2/26W/40K/RND/BN/STD	26	120	4 000	1 950	80	50 000	Brushed nickel	2
66857	CLDR16/S2/26W/30K/RND/BK/STD	26	120	3 000	1 923	80	50 000	Black	2
66860	CLDR16/S2/26W/30K/RND/CH/STD	26	120	3 000	1 923	80	50 000	Chrome	2



Lumen values are derived from photometric testing
 For a complete list of compatible dimmers and ENERGY STAR qualified products, please visit www.standardpro.com





LED Edge-Lit

The LED Edge-Lit ceiling luminaire has a very slim design for a modern and minimalist look. These thin luminaires are equipped with an LED edge-lit technology to eliminate hot spots on the surface and provide a crisp and even light. Offered in a variety of shapes and sizes, it will fit any application.

- Easy twist-lock installation
- No visible screws
- Safety cable included
- Frosted polycarbonate lens

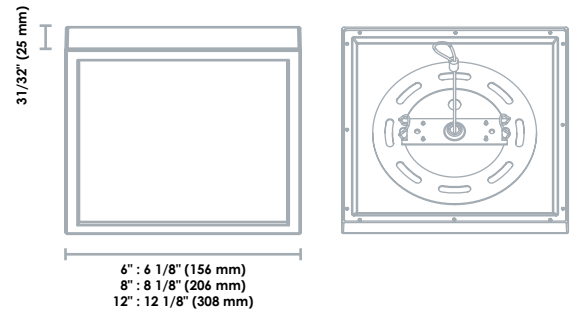
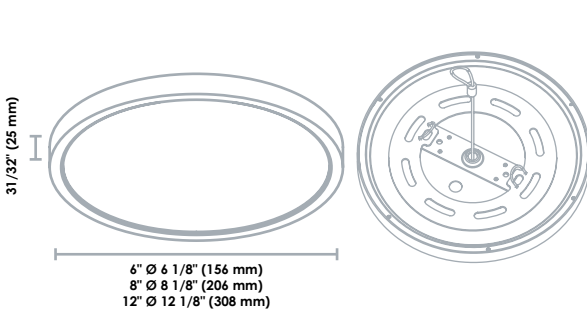


6", 8", 12"



6", 8", 12"

Order code	Description	Watts (W)	Volts (VAC)	Colour temp. (K)	Lumen output (lm)	CRI	Life L70 (hrs)	Finish	Case qty (master)
6" Round									
65454	LED/CL6/EDGELIT/11W/30K/FM/RND/WH/STD	11	120	3 000	855	80	50 000	White	20
65455	LED/CL6/EDGELIT/11W/40K/FM/RND/WH/STD	11	120	4 000	896	80	50 000	White	20
67365	LED/CL6/EDGELIT/11W/30K/FM/RND/BK/STD	11	120	3 000	792	82	50 000	Black	20
67366	LED/CL6/EDGELIT/11W/40K/FM/RND/BK/STD	11	120	4 000	816	82	50 000	Black	20
67367	LED/CL6/EDGELIT/11W/30K/FM/RND/BN/STD	11	120	3 000	836	82	50 000	Brushed Nickel	20
67368	LED/CL6/EDGELIT/11W/40K/FM/RND/BN/STD	11	120	4 000	861	82	50 000	Brushed Nickel	20
6" Square									
65460	LED/CL6/EDGELIT/11W/30K/FM/SQR/WH/STD	11	120	3 000	852	80	50 000	White	20
65461	LED/CL6/EDGELIT/11W/40K/FM/SQR/WH/STD	11	120	4 000	893	80	50 000	White	20
8" Round									
65456	LED/CL8/EDGELIT/14W/30K/FM/RND/WH/STD	14	120	3 000	1 066	80	50 000	White	20
65457	LED/CL8/EDGELIT/14W/40K/FM/RND/WH/STD	14	120	4 000	1 118	80	50 000	White	20
67369	LED/CL8/EDGELIT/14W/30K/FM/RND/BK/STD	14	120	3 000	1 008	82,3	50 000	Black	20
67370	LED/CL8/EDGELIT/14W/40K/FM/RND/BK/STD	14	120	4 000	1 038	82,3	50 000	Black	20
67371	LED/CL8/EDGELIT/14W/30K/FM/RND/BN/STD	14	120	3 000	1 064	82,3	50 000	Brushed Nickel	20
67372	LED/CL8/EDGELIT/14W/40K/FM/RND/BN/STD	14	120	4 000	1 096	82,3	50 000	Brushed Nickel	20
8" Square									
65462	LED/CL8/EDGELIT/14W/30K/FM/SQR/WH/STD	14	120	3 000	1 065	80	50 000	White	20
65463	LED/CL8/EDGELIT/14W/40K/FM/SQR/WH/STD	14	120	4 000	1 115	80	50 000	White	20
12" Round									
65458	LED/CL12/EDGELIT/22W/30K/FM/RND/WH/STD	22	120	3 000	1 647	80	50 000	White	10
65459	LED/CL12/EDGELIT/22W/40K/FM/RND/WH/STD	22	120	4 000	1 725	80	50 000	White	10
67373	LED/CL12/EDGELIT/22W/30K/FM/RND/BK/STD	22	120	3 000	1 584	81,5	50 000	Black	10
67374	LED/CL12/EDGELIT/22W/40K/FM/RND/BK/STD	22	120	4 000	1 631	81,5	50 000	Black	10
67375	LED/CL12/EDGELIT/22W/30K/FM/RND/BN/STD	22	120	3 000	1 672	81,5	50 000	Brushed Nickel	10
67376	LED/CL12/EDGELIT/22W/40K/FM/RND/BN/STD	22	120	4 000	1 722	81,5	50 000	Brushed Nickel	10
12" Square									
65464	LED/CL12/EDGELIT/22W/30K/FM/SQR/WH/STD	22	120	3 000	1 636	80	50 000	White	10
65465	LED/CL12/EDGELIT/22W/40K/FM/SQR/WH/STD	22	120	4 000	1 713	80	50 000	White	10

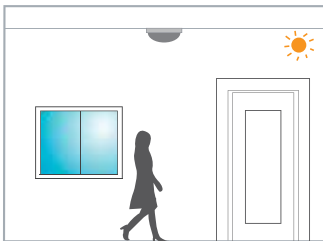


Lumen values are derived from photometric testing. For a complete list of compatible dimmers and ENERGY STAR qualified products, please visit www.standardpro.com

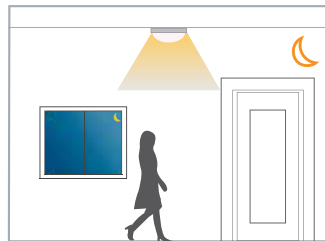
LED Tri-Level

Dimming technology maximizes energy savings by intelligently managing illumination levels to avoid wasted energy. The luminaire is controlled by a motion sensor that triggers light levels from low to high upon occupancy, and users can adjust the luminaire's standby light levels by percentage of light, lux and dimming delay of full output.

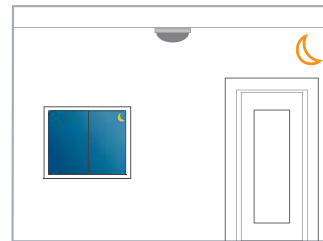
Perfect for lighting applications that require illumination 24/7, this technology represents a significant energy savings opportunity.



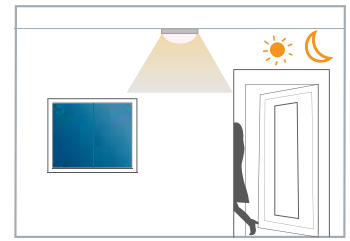
1. When there is sufficient natural light and a presence is detected the luminaire will not turn on, it will stay dimmed.



2. With insufficient natural light, the light is switched on automatically when presence is detected; it will remain on at 100% during the motion hold-time.



3. If no presence is detected the light dims to 10% - 15% stand-by levels after the hold time.

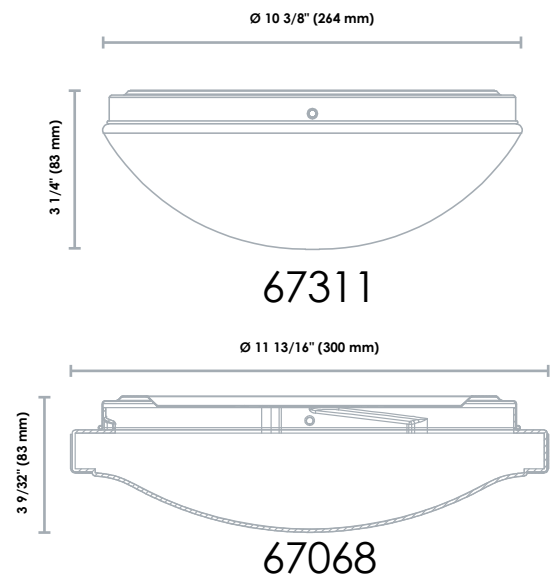


4. Optional: Light switches off automatically after the stand-by period has elapsed.

Order code	Description	Watts (W)	Volts (V)	Colour temp. (K)	Lumen output (lm)	CRI	Life L70 (hrs)	Sensor type	Finish	Case qty (master)
11" Round										
67311	CL11/S2/TLEV/15W/40K/RND/WH/STD	15	120	4 000	1 134	80	50 000	Microwave	White	4
67068	CL11/TLEV/15W/40K/RND/BN/STD	15	120	4 000	1 148	80	50 000	Microwave	Brushed nickel	4

Replacement lenses and compatible accessories

Order code	Description	Compatible with
64869	LED/CL11/LENS/RND/STD	67311
64882	LED/CLBN11/LENS/RND/STD	67068
65681	LED/CL11/SHADE/RND/WHITE/STD	67311
65682	LED/CL11/SHADE/RND/BEIGE/STD	67311
65683	LED/CL11/SHADE/RND/BLACK/STD	67311
65684	LED/CL11/SHADE/RND/DGRAY/STD	67311
65685	LED/CL11/SHADE/RND/WOOD/STD	67311
65686	LED/CL11/SHADE/RND/CORK/STD	67311
65687	LED/CL11/SHADE/RND/WFROST/STD	67311
66044	LED/CL11/SHADE/RND/BRNW/STD	67311



Lumen values are derived from photometric testing. For a complete list of compatible dimmers and ENERGY STAR qualified products, please visit www.standardpro.com



LED Edge-lit with motion sensor

The LED edge-lit ceiling luminaire with integrated motion sensor has a sleek design including an embedded PIR (Passive Infrared) sensor. This luminaire helps save energy by automatically turning on when motion is detected and off when there is no motion. The defaults settings optimize the fixtures efficiency, by gradually turning on the luminaire, within a 12 second range, when movement is detected within a 5' range. After 20 seconds of no movement detection the ceiling luminaire will turn off. The luminaire meets **NFPA 70 and NEC Section 410.16, C (1)** requirements making the luminaire suitable for all indoor use and in closed spaces. It can be easily installed, with a twist-lock installation, flush to a wall or ceiling. Offered in white, it will fit any type of application from a kitchen pantry, a closet, a laundry room, an attic or even a hallway.

- 12W LED Module
- Integrated PIR motion sensor
- Automatic ON/OFF – no wall switch required
- Easy twist-lock installation
- No visible screws
- Meets NFPA® 70, NEC® Section 410.16, C (1) Requirements



Order code	Description	Watts (W)	Volts (V)	Color temp. (K)	Lumen output (lm)	CRI	Life L70 (hrs)	Beam angle (°)	Sensor Type	Finish	Case qty (master)
67671	CLEL7/MS/12W/40K/RND/WH/STD	12	120	4 000	900	80	50 000	120	PIR	White	1

Lumen values are derived from photometric testing
For a complete list of compatible dimmers and ENERGY STAR qualified products, please visit www.standardpro.com

