

Project: _____ Type: _____

Drawn by: _____ Catalogue #: _____ Date: _____

Individual Spec Sheet

LPDL™ CHOICE GEN. 2

LED LOW PROFILE DOWNLIGHT

6" CCT Selectable

ORDERING INFORMATION

Order code: 70017
Model number: LPDL6R-12A-5CWH/CHOICE
UPC: 069549031661
Case quantity: 24

PHYSICAL DATA

Size in (cm): 6 7/8 x 13/16 (17.5 x 2.1)
Shape: Round
Finish: White
Lens Type: Frosted polycarbonate
Mounting: Recessed
Cable Rating: FT4

PERFORMANCE DATA

Watts (W): 12
Volts (V AC): 120
Color temperature (K)¹: 2 700/3 000/3 500/4 000/5 000
Lumen output (lm)²: 1 050
Efficacy (lm/W): 87.5
CRI: 90+
Life L70 (h)³: 50 000
Beam angle (°): 110
Environment: Wet location
THD (%): <20
Power factor: >0.9
Cable rating: FT4
Frequency (Hz): 60
Operating temp. range: -30 °C to 45 °C (-22 F° to 113 °F)
Dimmable: Phase cut (ELV / Triac)

¹ Typical colour temperature range: +/- 5 %.

² Lumen values are derived from Energy Star reported data. Initial lumens range: +/- 10 %.

³ Life hours are derived from IESNA LM80 testing report and projected per IESNA TM-21 extrapolations.

COMPATIBLE ACCESSORIES

Order code	Model number	Type
66822 ¹	ACC/MPLATE/6.25IN/HANG.BARS/STD	Mounting plate with hanger bars
64921	RF/ACC/6/MOUNT.PLATE/ADJ/STD	Adjustable mounting plate
64263	ACC/MPLATE/6.25IN/SQR/STD	Square mounting plate
66144	ACC/6/VAPOR BARRIER/STD	Vapor barrier extender
68987	GOOF RING-6.25IN	Goof rings
64264 ²	LPDL/ACC/6FT/EXTCABLE/STD	6' extension cord

¹ Includes brackets and screws.

² Up to 6 FT4 extension cords can be connected together.

This lighting equipment complies with Canadian standard ICES-005 for use in residential applications. Data is based upon tests performed in a controlled environment. Actual performance can vary depending on operating conditions. Specifications are subject to change without notice.



wet location



IC rated



ICES 005



LUMEN SPECIFICATION TABLE

Watts (W)	2 700 K		3 000 K		3 500 K		4 000 K		5 000 K	
	Lumen output (lm)	Efficacy (lm/W)	Lumen output (lm)	Efficacy (lm/W)	Lumen output (lm)	Efficacy (lm/W)	Lumen output (lm)	Efficacy (lm/W)	Lumen output (lm)	Efficacy (lm/W)
12	1181	98	1219	102	1267	106	1282	107	1281	107

DEFAULT PROGRAMMING
2 700 K

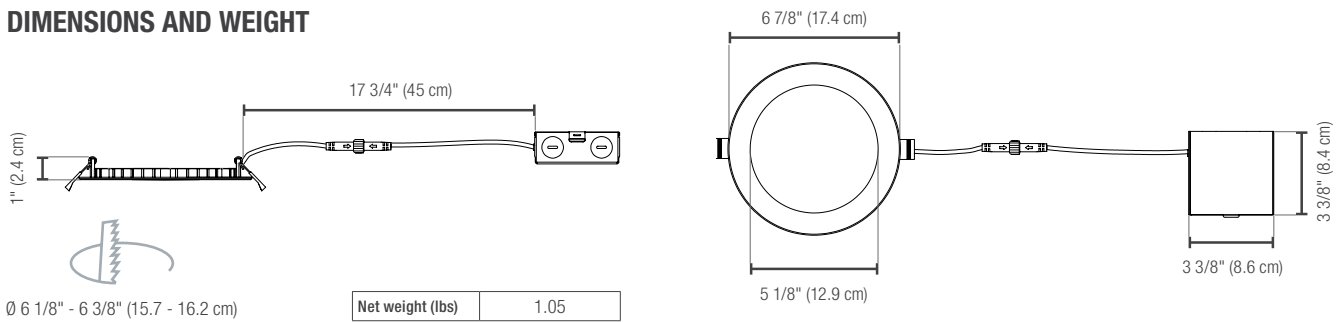
COMPATIBLE DIMMERS¹

Brand	Model
Legrand	RH730PTUTC
Cooper	AAL06, DAL06P, SAL06P3
Leviton	6674, DDMX1, DSL06-1LZ, DSM10-1LZ, IPL06
Lutron	AYCL-253P, DVCL-153P, DVCL-253P, DVELV-300P, HCL453P, MACL-153P, PD-6WCL, SELV-300P

Dimming range: 10%-100%

¹ This table shows dimmers that have been tested and have demonstrated proper operation under normal conditions. Each installation being unique, various factors such as load, common neutrals or other electrical products on the circuit can, in certain instances, cause variance in system performance. Read and comply to the dimmer installation instructions. Consult dimming system manufacturer for additional support in operation. Some dimmers may require more than one product for stable operation. Stanpro recommends to use dimmers designed to work with LED products. Older dimmers designed for incandescent products may cause erratic operation.

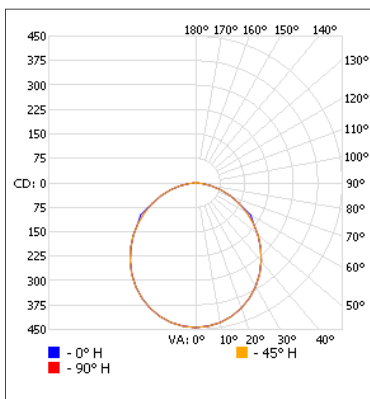
DIMENSIONS AND WEIGHT



PHOTOMETRIC DATA¹

70017 • LPDL6R-12A-5CWH/CHOICE • 3 000K • 1219.2 lm

Polar candela distribution



Zonal lumen summary

Zone	Lumens	% Fixture
0-30	340.7	27.9
0-40	554.2	45.5
0-60	964.7	79.1
60-90	252.2	20.7
70-100	107.8	8.8
90-120	0.7	0.1
0-90	1 216.8	99.8
90-180	2.4	0.2
0-180	1 219.2	100

Illuminance at a distance

Center beam fc		Beam width	
1.7'	153	4.7'	4.7'
3.3'	40.7	9.1'	9.1'
5.0'	17.7	13.8'	13.8'
6.7'	9.88	18.6'	18.5'
8.3'	6.44	23.0'	23.0'
10.0'	4.43	27.7'	27.7'

■ Vert. spread: 108.3°
■ Horiz. spread: 108.3°

¹ Complete IES files available on our website.

Qty	Description	Price

I accept the specifications of the luminaire configuration mentioned above.

Name: _____
 Company: _____
 Signature: _____

Date: _____

Data is based upon tests performed in a controlled environment. Actual performance can vary depending on operating conditions. All products are subject to change or may be discontinued any time without notice.