



CHOICE SERIES E-LUME

QUICK SHIP



STANPRO

Choice Series

5 LED LAMP

T8, High Bay Retrofit, PAR20, PAR30SN, PAR30LN, PAR38, GU10, MR16, MR16E26, A19

8 LED DOWNLIGHT

LPDL™, Swivel, COMETO slim backlit commercial

12 LED TRACK HEAD

Piccolo

14 LED PANEL

18 LED ROUND HIGH BAY

L1RVH

20 LED FLOOD LIGHT

FLM GEN. 2

22 LED WALL PACK

WSL

E-Lume™

26 RECESSED FIXTURE

29 INCANDESCENT LAMP

BR30, G16.5, G25, R16, R20

30 COMPACT FLUORESCENT LAMP

PAR20, T2 Spirals, 2-pin Double Twin Tube, 4-pin Double Twin Tube

31 HID LAMP

Pulse Start

32 FLUORESCENT LAMP

T8 Preheat Start, T8 800 Sries, T5 Preheat Start, T5 Program Start, T5 HO Program Start



Choice Series

Standard is proud to introduce its Choice line of LED lamps, focusing on efficiency and value. You will always find the right Choice in this line!

LED Lamp

- Ballast compatible T8 lamp offer a quick and economical solution without any additional wiring needed.
- Quality glass encasing ensures protection against tube yellowing and brittleness.
- Compatible with a variety of electronic instant start ballasts.



Order code	Description	System watts (W)			Base	Color temp. (K)	CRI	Life L70 (hrs)	Lumen output (lm)			Case qty (master)
		LBF ¹	NBF ¹	HBF ¹					LBF ¹	NBF ¹	HBF ¹	
T8 4' - Ballast Compatible												
67972	T8/S2/10.5W/835/48/CHOICE/STD	11.5	13	17	G13	3 500	82	50 000	1 600	1 800	2 400	25
67973	T8/S2/10.5W/840/48/CHOICE/STD	11.5	13	17	G13	4 000	82	50 000	1 600	1 800	2 400	25
67977	T8/S2/10.5W/850/48/CHOICE/STD	11.5	13	17	G13	5 000	82	50 000	1 600	1 800	2 400	25

Lumen values are derived from photometric testing
 For a complete list of compatible dimmers and energy start qualified products, please visit www.standardpro.com
 This lamp only operates on existing ballast in 120-277/347 V application
 1 LBF= Low ballast factor, NBF= Normal ballast factor, HBF= High ballast factor
 2 Not DLC



enclosed fixture



non dimmable



LED Ballast bypass - double ended

- Perfect for long-term installations; no need to go back and replace the ballast at a later time which means reducing maintenance costs.
- Best system efficiency; no additional power consumption from the ballast.
- Entirely safe to install; an embedded switch is used to validate connection before locking tube into place. Therefore, power will come through only once it is safely installed, eliminating any risk of electrical shock.



Order code	Description	Watts	Base	Volts	Color temp.	CRI	Life L70 (hrs)	Lumen output (lm)	Case qty (master)
		(W)		(VAC)	(K)				
69710	T8/12W/840/48/BYP/120-277/ND/CHOICE/STD	12	G13	120-277	4 000	82	50 000	1 800	25

Lumen values are derived from photometric testing
 For a complete list of compatible dimmers and DLC qualified products, please visit www.standardpro.com



non dimmable



enclosed fixture





Order code	Description	Watts (W)	Base	Volts (VAC)	Color temp. (K)	CRI	Life L70 (hrs)	Lumen output (lm)	Beam angle (°)	CBCP (cd)	Traditional equivalent (W)	Case qty (master)
PAR20												
69209 ²	P20/S2/6.5W/30K/40/CHOICE/STD	6.5	E26	120	3 000	≥90	25 000	500	40	914	50	12
69206 ²	P20/S2/6.5W/27K/25/CHOICE/STD	6.5	E26	120	2 700	≥90	25 000	514	25	1 708	50	12
69207 ²	P20/S2/6.5W/27K/40/CHOICE/STD	6.5	E26	120	2 700	≥90	25 000	514	40	914	50	12
69208 ^{1,2}	P20/S2/6.5W/30K/25/CHOICE/STD	6.5	E26	120	3 000	≥90	25 000	554	25	1 708	50	12
69210 ^{1,2}	P20/S2/6.5W/40K/25/CHOICE/STD	6.5	E26	120	4 000	≥90	25 000	575	25	1 708	50	12
69211 ²	P20/S2/6.5W/40K/40/CHOICE/STD	6.5	E26	120	4 000	≥90	25 000	575	40	914	50	12
PAR30SN												
66292	P30S/12W/27K/40/CHOICE/STD	12	E26	120	2 700	≥90	15 000	929	40	1 740	75	6
69220 ²	P30S/S2/8W/30K/25/CHOICE/STD	8	E26	120	3 000	≥90	25 000	935	25	3 843	75	6
69221 ²	P30S/S2/8W/30K/40/CHOICE/STD	8	E26	120	3 000	≥90	25 000	935	40	1 740	75	6
66295	P30S/12W/40K/25/CHOICE/STD	12	E26	120	4 000	≥90	15 000	1 006	25	3 843	75	6
69223 ²	P30S/S2/8W/40K/40/CHOICE/STD	8	E26	120	4 000	≥90	25 000	985	40	1 740	75	6
PAR30LN												
66286	P30L/12W/27K/40/CHOICE/STD	12	E26	120	2 700	≥90	15 000	935	40	1 813	75	6
69215 ²	P30L/S2/8W/30K/40/CHOICE/STD	8	E26	120	3 000	≥90	25 000	901	40	1 813	75	6
69216 ²	P30L/S2/8W/40K/25/CHOICE/STD	8	E26	120	4 000	≥90	25 000	999	25	4 178	75	6
69217 ²	P30L/S2/8W/40K/40/CHOICE/STD	8	E26	120	4 000	≥90	25 000	999	40	1 813	75	6
PAR38												
66297	P38/16.5W/27K/25/CHOICE/STD	16.5	E26	120	2 700	≥90	15 000	1 360	25	6 067	100	6
69225 ²	P38/S2/13W/27K/40/CHOICE/STD	13	E26	120	2 700	≥90	15 000	1 410	40	2 527	100	6
66299	P38/16.5W/30K/25/CHOICE/STD	16.5	E26	120	3 000	≥90	15 000	1 419	25	6 067	100	6
69226 ²	P38/S2/13W/30K/25/CHOICE/STD	13	E26	120	3 000	≥90	25 000	1 450	25	6 067	100	6
69227 ²	P38/S2/13W/30K/40/CHOICE/STD	13	E26	120	3 000	≥90	25 000	1 450	40	2 527	100	6
69228 ²	P38/S2/13W/40K/25/CHOICE/STD	13	E26	120	4 000	≥90	25 000	1 490	25	6 067	100	6
69229 ²	P38/S2/13W/40K/40/CHOICE/STD	13	E26	120	4 000	≥90	25 000	1 490	40	2 527	100	6

Lumen values are derived from photometric testing
 For a complete list of compatible dimmers and ENERGY STAR qualified products, please visit
www.standardpro.com





Order code	Description	Watts (W)	Base	Volts (VAC)	Color temp. (K)	CRI	Life L70 (hrs)	Lumen output (lm)	Beam angle (°)	CBCP (cd)	Traditional equivalent (W)	Dimming capability (Yes/No)	Case qty (inner/master)
GU10													
69230 ¹	GU10/S2/6.5W/27K/40/CHOICE/STD	6.5	GU10	120	2 700	≥80	25 000	500	40	778	50	Yes	1/24
69231 ¹	GU10/S2/6.5W/30K/40/CHOICE/STD	6.5	GU10	120	3 000	80	25 000	500	40	778	50	Yes	1/24
69232 ¹	GU10/S2/6.5W/40K/40/CHOICE/STD	6.5	GU10	120	4 000	≥80	25 000	500	40	778	50	Yes	1/24
64634	LED/GU10/7W/30K/25/ELUME	7	GU10	120	3 000	≥80	25 000	500	25	2 450	50	Yes	24/48
64635	LED/GU10/7W/30K/25/GRY/ELUME	7	GU10	120	3 000	≥80	25 000	500	25	2 450	50	Yes	1/48
MR16													
69233 ¹	MR16/S3/12V/6.5W/27K/35/CHOICE/STD	6.5	GU5.3	12	2 700	90	25 000	500	40	778	50	Yes	1/24
69234 ¹	MR16/S3/12V/6.5W/30K/35/CHOICE/STD	6.5	GU5.3	12	3 000	90	25 000	500	35	778	50	Yes	1/24
69235 ¹	MR16/S3/12V/6.5W/40K/35/CHOICE/STD	6.5	GU5.3	12	4 000	90	25 000	500	35	778	50	Yes	1/24
MR16-E26													
66354	MR16E26/7W/30K/35/CHOICE/STD	7	E26	120	3 000	83	15 000	500	35	1 321	50	Yes	24/48
A19													
Energy Star & Enclosed rated													
66267	A19/6W/27K/ND/CHOICE/STD	6	E26	120	2 700	≥80	15 000	480	220	-	40	No	6/48
69712	A19/S4/6W/30K/ND/CHOICE/STD	6	E26	120	3 000	80	25 000	480	220	-	40	No	50
69713	A19/S4/6W/40K/ND/CHOICE/STD	6	E26	120	4 000	80	25 000	480	220	-	40	No	50
69714	A19/S4/8W/27K/ND/CHOICE/STD	8	E26	120	2 700	80	25 000	800	220	-	60	No	50
66270	A19/9.5W/30K/ND/CHOICE/STD	9.5	E26	120	3 000	≥80	15 000	800	220	-	60	No	6/48
69716	A19/S4/8W/40K/ND/CHOICE/STD	8	E26	120	4 000	80	25 000	800	220	-	60	No	50
A19													
Not Energy Star, Not suitable for enclosed fixture²													
67964	A19/S2/6W/27K/ND/CHOICE/STD	6	E26	120	2 700	80	15 000	480	180	-	40	No	1/100
67965	A19/S2/6W/30K/ND/CHOICE/STD	6	E26	120	3 000	80	15 000	480	180	-	40	No	1/100
67966	A19/S2/9W/27K/ND/CHOICE/STD	9	E26	120	2 700	80	15 000	800	180	-	60	No	1/100
67967	A19/S2/9W/30K/ND/CHOICE/STD	9	E26	120	3 000	80	15 000	800	180	-	60	No	1/100
4 Pack A19													
Energy Star & Enclosed rated													
68594	A19/S3/9.5W/27K/ND/CHOICE/STD 4P	9.5	E26	120	2 700	≥80	15 000	800	220	-	60	No	1/12
69718	A19/S4/8W/30K/ND/CHOICE/STD 4P	8	E26	120	3 000	≥80	25 000	800	220	-	60	No	1/48
69719	A19/S4/8W/40K/ND/CHOICE/STD 4P	8	E26	120	4 000	80	25 000	800	220	-	60	No	1/48
69720	A19/S4/8W/50K/ND/CHOICE/STD 4P	8	E26	120	5 000	80	25 000	800	220	-	60	No	1/48
4 Pack A19													
Not Energy Star, Not suitable for enclosed fixture²													
67968	A19/S2/9W/27K/ND/CHOICE/STD 4P	9	E26	120	2 700	80	15 000	800	180	-	60	No	1/24
67969	A19/S2/9W/30K/ND/CHOICE/STD 4P	9	E26	120	3 000	80	15 000	800	180	-	60	No	1/24
67970	A19/S2/9W/40K/ND/CHOICE/STD 4P	9	E26	120	4 000	80	15 000	800	180	-	60	No	1/24
67971	A19/S2/9W/50K/ND/CHOICE/STD 4P	9	E26	120	5 000	80	15 000	800	180	-	60	No	1/24

Lumen values are derived from photometric testing
 For a complete list of compatible dimmers, and energy start qualified products, please visit www.standardpro.com
² 2 year warranty.

5¹ yrs warranty
3¹ yrs warranty
 6 damp location





LED Downlight

LPDL™

The LED downlight LPDL Choice gives you all the flexibility you need during installation, especially in confined areas or when facing constraints such as wood beams, ceiling joist or air ducts.

The driver is mounted separately from the light source which allows the luminaire profile to be less than 1" thick!



Order code	Model number	Watts (W)	Volts (VAC)	Color temp. (K)	Lumen output (lm)	Efficiency (lm/W)	CRI	Life L70 (hrs)	Beam angle (°)	Cable rating	Finish	Dimming (Yes/No)	Power factor	THD (%)	Traditional equivalent (W)	Case qty (master)
4" Round Single CCT																
68304	LPDL4R-11A-30WH/CHOICE	11	120	3 000	750	68	80+	50 000	100	FT4	White	Yes	>0.9	<15	60	32
68307	LPDL4R-11A-30BN/CHOICE	11	120	3 000	750	68	80+	50 000	100	FT4	Brushed Nickel	Yes	>0.9	<15	60	32
Bulk pack of 10 units single CCT																
68310	LPDL4R-11A-30WH/CHOICE 10P	11	120	3 000	750	68	80+	50 000	100	FT4	White	Yes	>0.9	<15	60	40
CCT Selectable																
68305	LPDL4R-11A-3CWH/CHOICE	11	120	2 700/3 000/4 000	750	63	80+	50 000	100	FT4	White	Yes	>0.9	<15	60	32
68308	LPDL4R-11A-3CBN/CHOICE	11	120	2 700/3 000/4 000	750	63	80+	50 000	100	FT4	Brushed Nickel	Yes	>0.9	<15	60	32
69587	LPDL4R-11A-3CBK/CHOICE	11	120	2 700/3 000/4 000	700	64	80+	50 000	100	FT4	Black	Yes	>0.9	<15	60	32
6" Round CCT Selectable																
68309	LPDL6R-14A-3CWH/CHOICE	14	120	2 700/3 000/4 000	1 100	71	80+	50 000	100	FT4	White	Yes	>0.9	<15	60	18

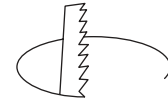
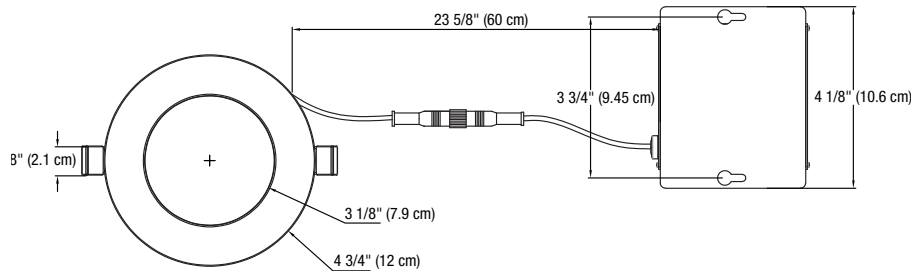
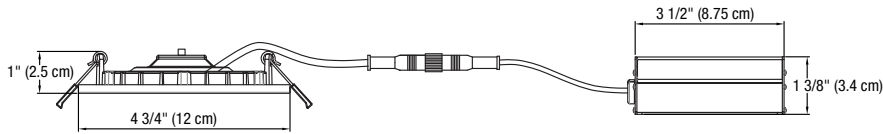
Typical color temperature range: +/- 5 %.

Lumen values are derived from Energy Star reported data. Initial lumens range: +/- 10 %.

Life hours are derived from IESNA LM-80-08 testing report and projected per IESNA TM-21-11 extrapolations.

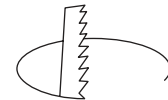
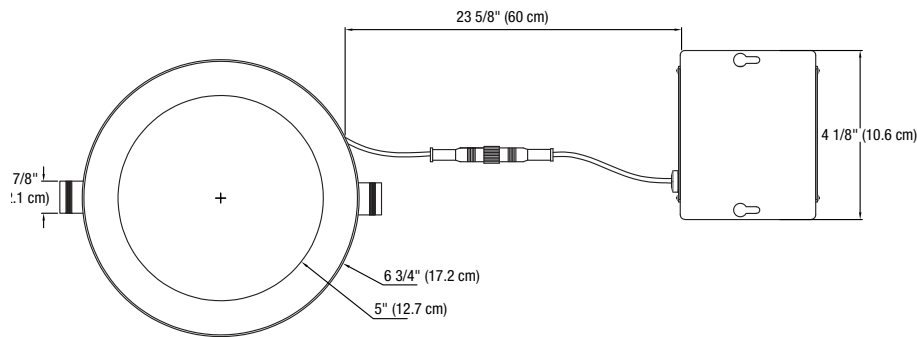
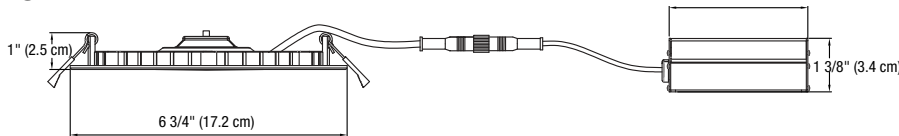
Dimensions

4"



Ø 4 1/4" (108 mm)

6"



Ø 6 1/4" (159 mm)

Accessories

Order code	Model number	Type	Inner diameter (in)	Outer diameter (in)	Master case qty
66821 ¹	ACC/MPLATE/4.25IN/HANG.BARS/STD	Mounting plate with hanger bars	4 1/4	-	25
66058	ACC/MPLATE/4.25/ADJ/STD	Adjustable mounting plate	4 1/4	-	24
66051	ACC/MPLATE/4.25/SQR/STD	Square mounting plate	4 1/4	-	96
66143	ACC/4/VAPOR BARRIER/STD	Vapor barrier extender	4 1/4	-	50
68986	GOOF RING-4.25IN	Goof rings	4 1/4	6 1/2	120
66822 ¹	ACC/MPLATE/6.25IN/HANG.BARS/STD	Mounting plate with hanger bars	6 1/4	-	25
64921	RF/ACC/6/MOUNT.PLATE/ADJ/STD	Adjustable mounting plate	6 1/4	-	24
64263	ACC/MPLATE/6.25IN/SQR/STD	Square mounting plate	6 1/4	-	96
66144	ACC/6/VAPOR BARRIER/STD	Vapor barrier extender	6 1/4	-	50
68987	GOOF RING-6.25IN	Goof rings	6 1/4	7 7/8	120
64264 ²	LPDL/ACC/6FT/EXTCABLE/STD	6' extension cord	-	-	96



¹ Includes brackets and screws.
² Up to 6 FT4 extension cords can be connected together.

Lumen values are derived from photometric testing
 For a complete list of compatible dimmers and ENERGY STAR
 qualified products, please visit www.standardpro.com



Swivel LED Downlight



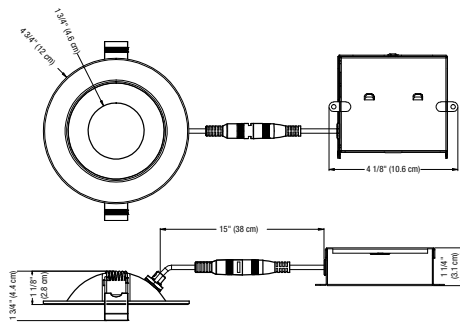
The LED SWIVEL Choice downlight has been specially designed to highlight specific zones by offering 360° rotation with a 90° tilt. Featuring great performance and quality with a CRI of 90+, this 4" directional downlight is easy to install in any type of ceiling. The LED SWIVEL Choice downlight is a cost-effective solution for all residential applications.

Order code	Model number	Watts (W)	Volts (VAC)	Color temp. (K)	Lumen output (lm)	Efficiency (lm/W)	CRI	Life L70 (hrs)	Beam angle (°)	Cable rating	Finish	Dimming (Yes/No)	Power factor	THD (%)	Case qty (master)
Single CCT															
68508	SWDL4R-9A-30WH/CHOICE	9	120	3 000	750	83	90+	50 000	45	FT4	White	Yes	>0.9	<15	32
CCT Selectable															
68671	SWDL4R-8A-3CWH/CHOICE	8	120	2 700/3 000/4 000	600	75	90+	50 000	45	FT4	White	Yes	>0.9	<15	32
68672	SWDL4R-8A-3CBK/CHOICE	8	120	2 700/3 000/4 000	600	75	90+	50 000	45	FT4	Black	Yes	>0.9	<15	32
68673	SWDL4R-8A-3CBN/CHOICE	8	120	2 700/3 000/4 000	600	75	90+	50 000	45	FT4	Brushed Nickel	Yes	>0.9	<15	32

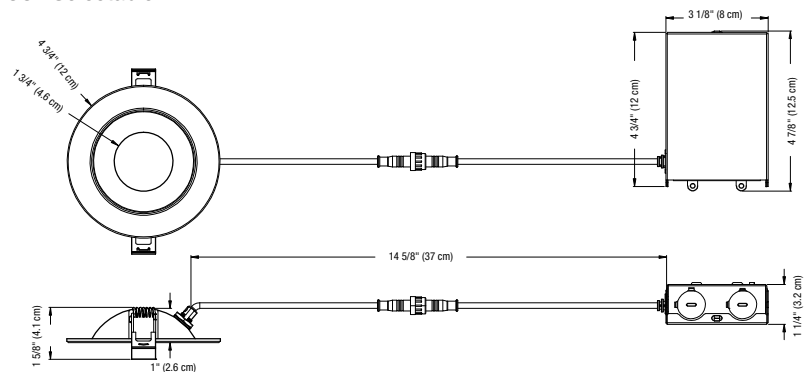
Dimensions



Single CCT

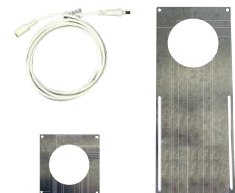


CCT Selectable



Accessories

Order code	Model number	Type	Opening diameter (in.)	Case qty (master)
66050 ¹	ACC/MPLATE/3.75IN/SQR/STD	Square mounting plate	3 3/4	96
66057 ¹	ACC/MPLATE/3.75IN/ADJ/STD	Adjustable mounting plate	3 3/4	24
64264 ²	LPDL/ACC/6FT/EXTCABLE/STD	6' Extension cord	-	96



¹ Includes brackets and screws.

² Only compatible with 68508.

Lumen values are derived from photometric testing
For a complete list of compatible dimmers and ENERGY STAR
qualified products, please visit www.standardpro.com



COMETO CHOICE

Slim Backlit Commercial Downlight



COMETO Choice series is a versatile downlight with 0-10 V dimming and a durable aluminum body. It offers 5 color temperatures and 3 power selectable for your design needs. This product is suitable for commercial spaces, hallways, lobbies, etc. Easy installation with torsion spring mounting clips and quick connect wire to the driver box. This downlight is perfect for new construction and renovation applications.

QUICK SHIP AND TECHNICAL SPECIFICATION TABLE ¹

Order code	Model number	Watts (W)	Volts (VAC)	Color temp. (K) ²	Lumen output (lm) ³	Efficacy (lm/W)	CRI	Life L70 (hrs) ⁴	Beam angle (°)	Shape	Finish	Cable rating	Power factor	THD (%)	Master case qty
6"															
69570	DLC06R-PS18Q-5CWH/CHOICE	12/15/18	120-347	2 700/3 000/3 500/4 000/5 000	1 200/1 500/1 800	100	80+	50 000	100	Round	White	FT6	>0.9	<20	12
8"															
69571	DLC08R-PS25Q-5CWH/CHOICE	15/20/25	120-347	2 700/3 000/3 500/4 000/5 000	1 700/2 200/2 800	110	80+	50 000	100	Round	White	FT6	>0.9	<20	12

¹ **QUICK SHIP:** Product availability is subject to change without notice. Please contact your Stanpro customer service representative to confirm inventory levels at time of order.

² Typical color temperature range: +/- 5 %.

³ Lumen values are derived from photometric testing. Initial lumens range: +/- 10 %.

⁴ Life hours are derived from IESNA LM-80-08 testing report and projected per IESNA TM-21-11 extrapolations.

Accessories

Order code	Model number	Type	Inner diameter (in)	Outer diameter (in)	Master case qty
66822 ^{1,2}	ACC/MPLATE/6.25IN/HANG.BARS/STD	Mounting plate with hanger bars	6 1/4	-	25
64921	RF/ACC/6/MOUNT.PLATE/ADJ/STD	Adjustable mounting plate	6 1/4	-	24
64263	ACC/MPLATE/6.25IN/SQR/STD	Square mounting plate	6 5/16	-	96
66144	ACC/6/VAPOR BARRIER/STD	Vapor barrier extender	6 1/4	-	50
68987	GOOF RING-6.25IN	Goof ring	6 1/4	7 7/8	120
66818 ^{1,2}	ACC/MPLATE/VELOCE8/HANG.BARS/STD	Mounting plate with hanger bars	8	-	8
68616	GOOF RING-8IN	Goof ring	8 1/4	11 1/2	24

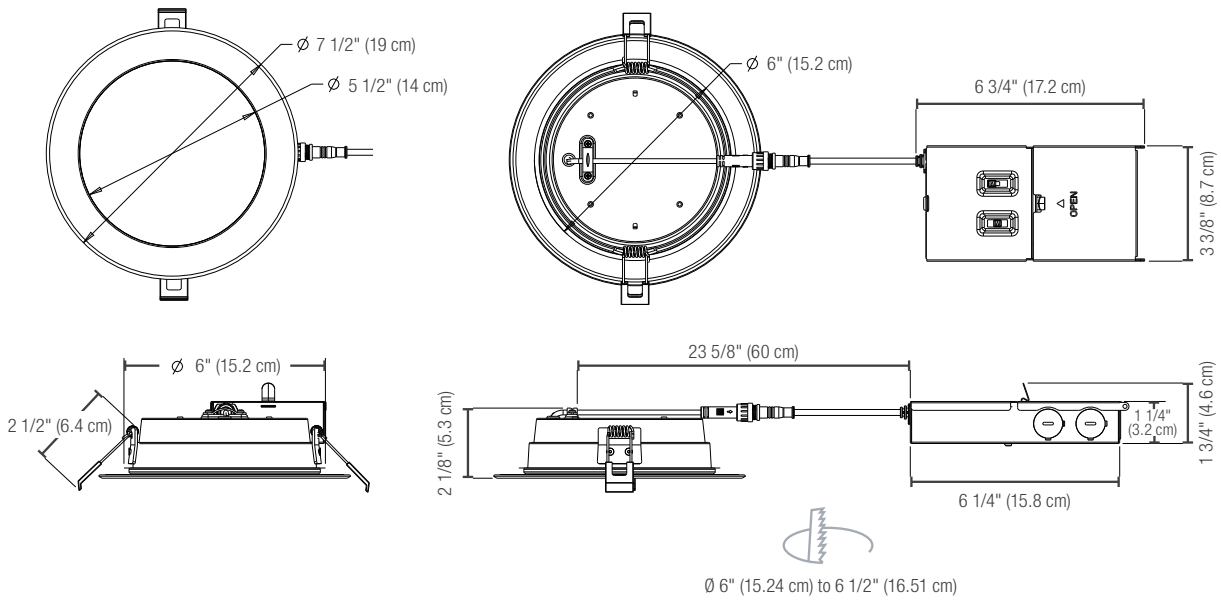


¹ Includes brackets and screws..

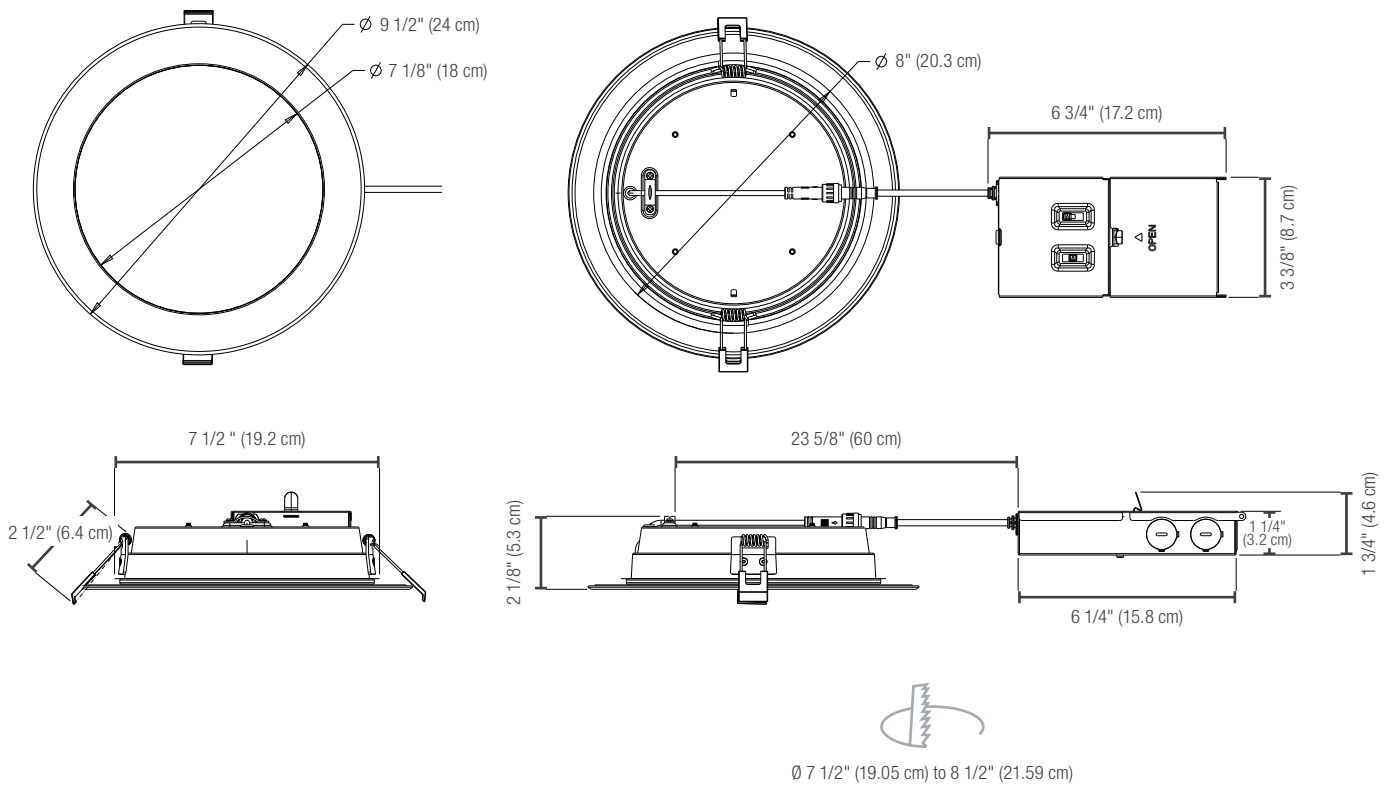
² Up to 6 FT4 extension cords can be connected together.

DIMENSIONS

6"



8"



Lumen values are derived from photometric testing
For a complete list of compatible dimmers and ENERGY STAR
qualified products, please visit www.standardpro.com





PICCOLO

LED TRACK HEAD

PICCOLO is ideal for accent and display lighting. It is compact and offers the flexibility to adjust your lighting needs with high lumen output and true color accuracy. Choose PICCOLO track head individually or PICCOLO kit which comes with 3 track heads, a 4' track, and a floating feed in one package. PICCOLO is perfect for residential and commercial applications. Compatible with our STJ Stanpro tracks and track accessories.



PICCOLO LED TRACK HEAD

Order code	Model number	Watts (W)	Volts (VAC)	Color temp. (K) ²	Lumen output (lm) ³	Efficacy (lm/W)	CRI	Life L70 (hrs) ⁴	Beam angle (°)	Shape	Finish	Power factor	THD (%)	Master case qty
Individual track head														
69409	TLP-13-3090F-AJWH/CHOICE	13	120	3 000	1 000	77	90+	50 000	40	Round	White	>0.9	<15	24
69410	TLP-13-3090F-AJBK/CHOICE	13	120	3 000	1 000	77	90+	50 000	40	Round	Black	>0.9	<15	24

Order code	Model number	Watts (W)	Volts (VAC)	Color temp. (K) ²	Lumen output (lm) ³	Efficacy (lm/W)	CRI	Life L70 (hrs) ⁴	Beam angle (°)	Shape	Finish	Power factor	THD (%)	Track rail length (ft)
Kit of 3 track heads														
69649	TLP-13-3090F-AJWH/CHOICE/STJ4-WH/ST26-WH	39	120	3 000	3 000	77	90+	50 000	40	Round	White	>0.9	<15	4
69650	TLP-13-3090F-AJBK/CHOICE/STJ4-BK/ST26-BK	39	120	3 000	3 000	77	90+	50 000	40	Round	Black	>0.9	<15	4

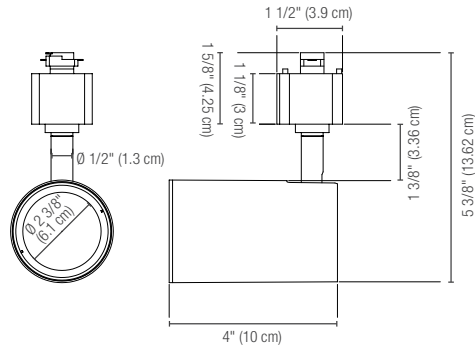
¹ **QUICK SHIP:** Product availability is subject to change without notice. Please contact your Stanpro customer service representative to confirm inventory levels at time of order.

² Typical color temperature range: +/- 5 %.

³ Lumen values are derived from Energy Star reported data. Initial lumens range: +/- 10 %.

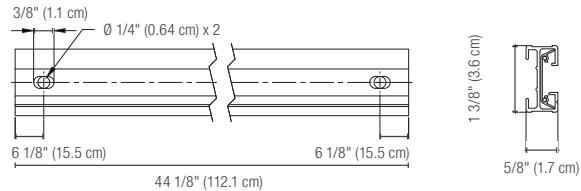
⁴ Life hours are derived from IESNA LM-80-08 testing report and projected per IESNA TM-21-11 extrapolations.

PICCOLO LED TRACK HEAD

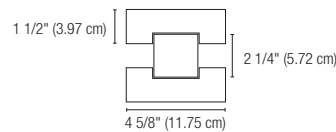


Net weight (lbs)	0.77
------------------	------

4' STJ TRACK



FLOATING FEED



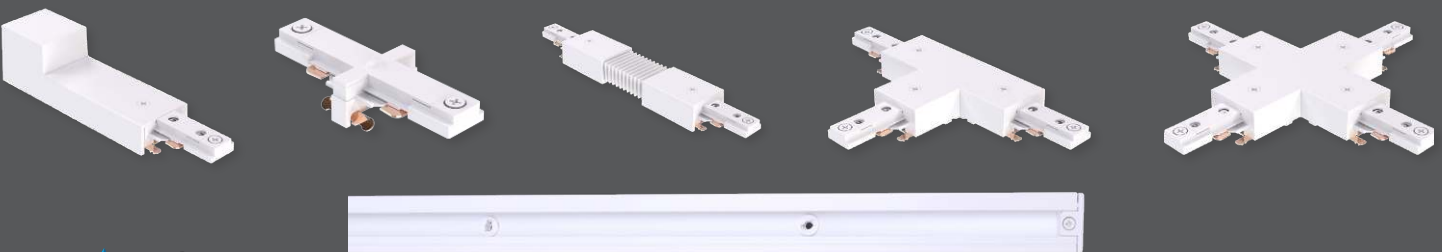
Lumen values are derived from photometric testing
For a complete list of compatible dimmers and ENERGY STAR qualified products, please visit www.standardpro.com



Compatible with STJ Stanpro tracks and track accessories

The compatible STJ Stanpro tracks and accessories allow you to create shapes and designs to personalize the look and achieve the lighting output required.

For more information, please visit our website.

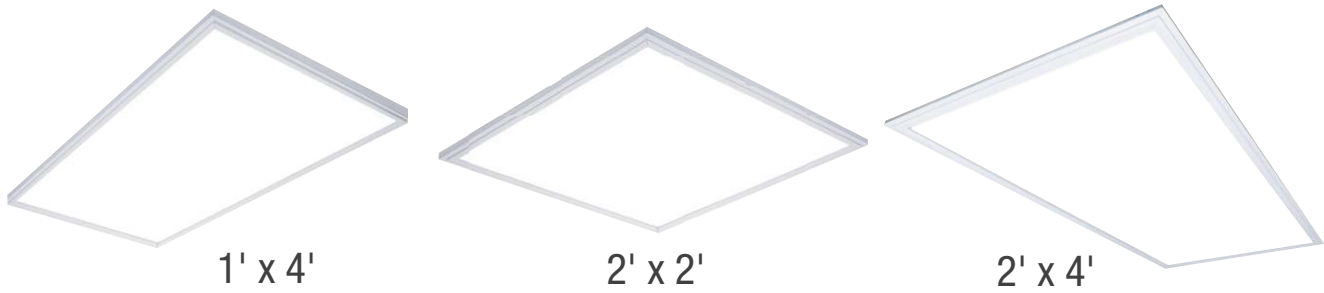




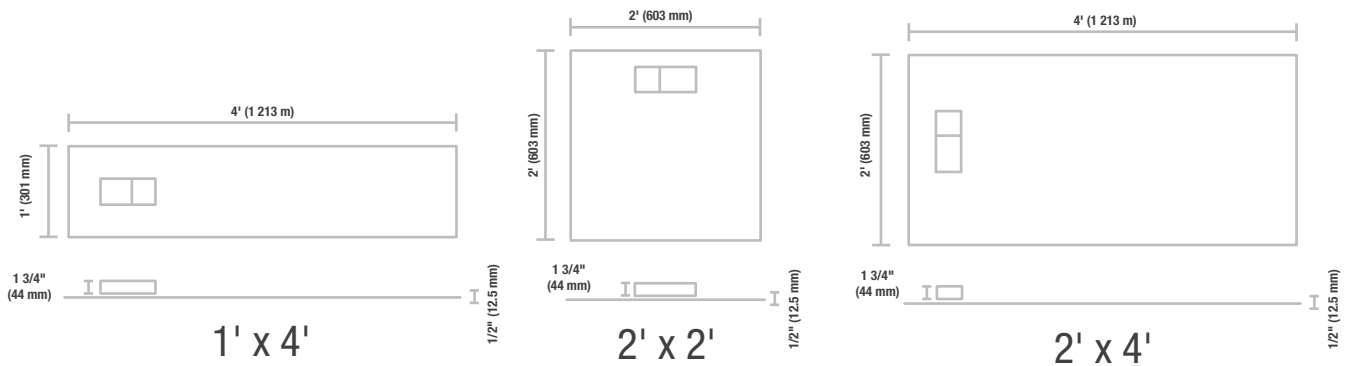
LED Panel

Our Choice LED Panels operate from 100 V to 277 V. The sleek and modern design is easily and quickly installed. The Choice commercial grade panels are the perfect solution to meet required light levels in any application. LED Choice Panels are perfect for offices, schools and commercial buildings.

- Consistent even dimming you can depend on. Dimmable 0-10V
- Designed to fit seamlessly into existing T-bar systems or alternatively can be surface-mounted or suspended for a unique look
- LED Choice panels are offered in a variety of color temperatures 3500 K, 4000 K and 5000 K
- Ideal replacement for traditional fluorescent fixtures, offering a uniform light and minimal glare

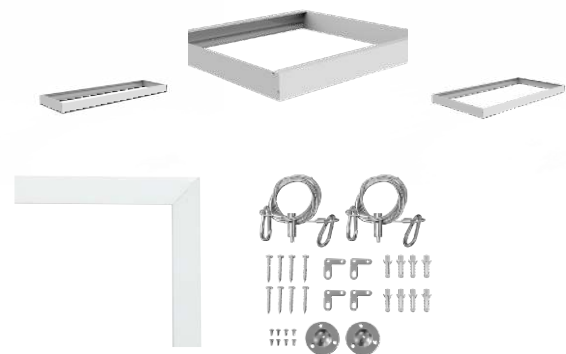


Order code	Description	Watts (W)	Volts (VAC)	Color temp. (K)	Lumen output (lm)	CRI	Life L70 (hrs)	Case qty (master)
1' x 4'								
67151	PAN1X4/100-277/40W/35K/CHOICE/STD	40	100-277	3 500	4 102	82	50 000	2
67152	PAN1X4/100-277/40W/40K/CHOICE/STD	40	100-277	4 000	4 235	82	50 000	2
2' x 2'								
67154	PAN2X2/100-277/40W/35K/CHOICE/STD	40	100-277	3 500	4 105	82	50 000	4
67155	PAN2X2/100-277/40W/40K/CHOICE/STD	40	100-277	4 000	4 178	82	50 000	4
67156	PAN2X2/100-277/40W/50K/CHOICE/STD	40	100-277	5 000	4 323	83	50 000	4
2' x 4'								
67158	PAN2X4/100-277/50W/40K/CHOICE/STD	50	100-277	4 000	5 312	83	50 000	2



Accessories

Order code	Description	Type
64825	LPAN/ACC/2X2/SMK/STD	Surface mount kit
64826	LPAN/ACC/1X4/SMK/STD	Surface mount kit
64827	LPAN/ACC/2X4/SMK/STD	Surface mount kit
64828	LPAN/ACC/2X2/SUSPENSION/STD	Suspension cable
64829	LPAN/ACC/1X4_2X4/SUSPENSION/STD	Suspension cable
63490	DRYWALL KIT FOR 1X4 FRT/STD	Drywall kit
67164	DRYWALL KIT FOR 2X2	Drywall kit
63491	DRYWALL KIT FOR 2X4 FRT/STD	Drywall kit

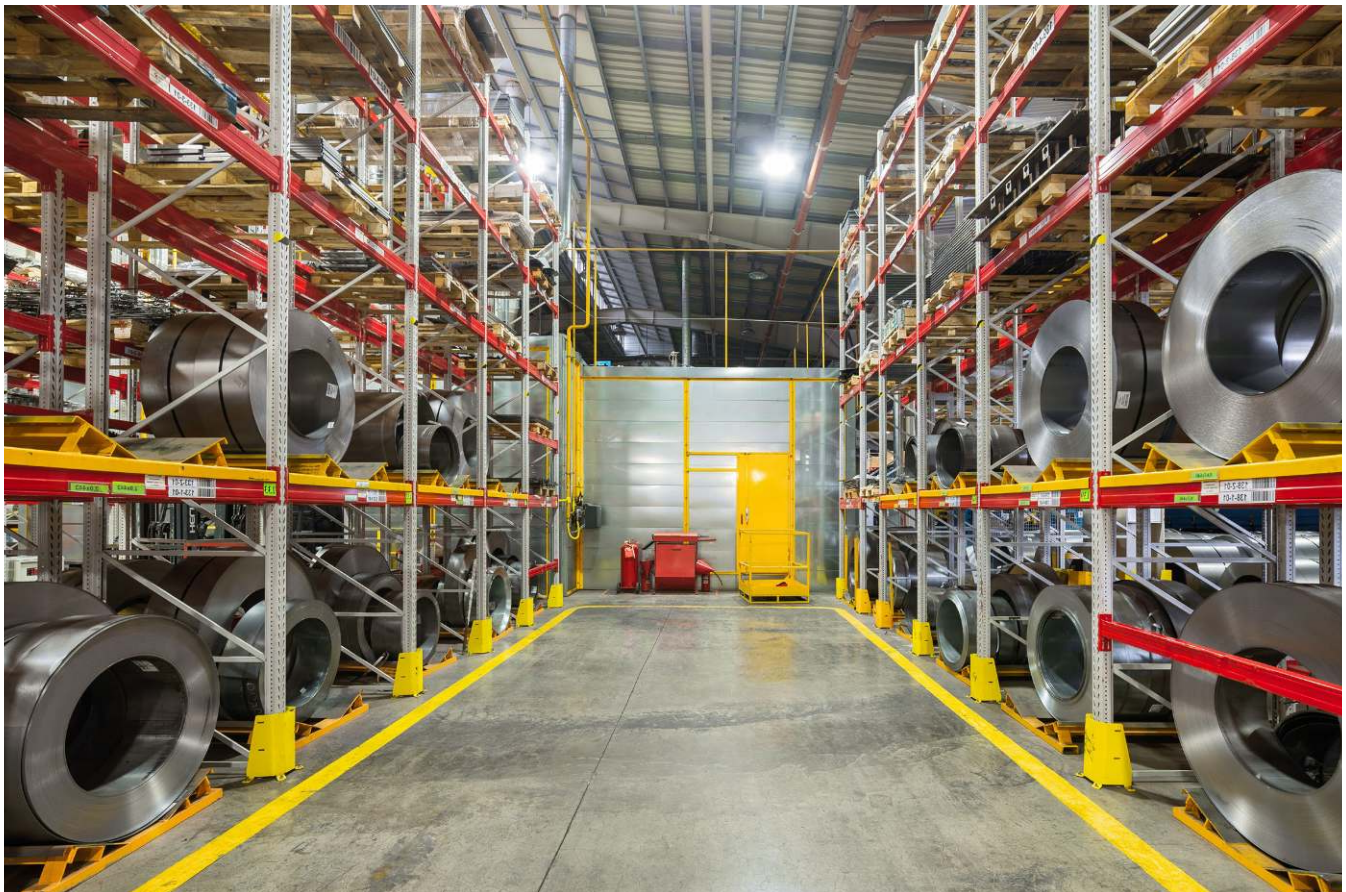


Lumen values are derived from photometric testing
 For a complete list of compatible dimmers and DLC qualified products, please visit www.standardpro.com



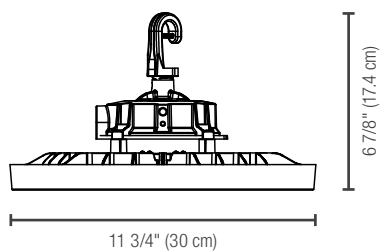
LED ROUND HIGH BAY

The L1RVH is an economical and energy efficient LED High Bay series with a simple, yet refined design. This type of luminaire is ideal for any application such as warehouses, manufacturing facilities, sports arenas, and other large high ceiling indoor applications. The IP65 rating allows this fixture to be installed where dust and water spray may be present. Meets NEMA 4X and NSF.

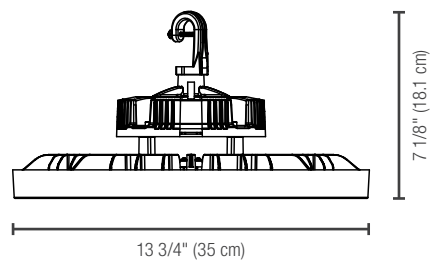


DIMENSIONS

100/120/150 W
130/150/180 W



200/240 W





69428 / 69746



69560



69429

QUICK SHIP AND TECHNICAL SPECIFICATION TABLE

Order code	Model number	DLC Premium Unique ID ⁶	Watts (W)	Volts (VAC)	Color temp. (K) ¹	Lumen output (lm) ^{2,3}	Efficacy (lm/W)	CRI	Life L70 (hrs) ⁴	Tested hours LM-80 (hrs) ⁴	Calculated TM21 (hrs) ⁴	Beam angle (°) ⁵	Power factor	THD (%)
69428	L1RVH-PS150-Q/3C-B/CHOICE	S-V0P9R0	100/120/150	120-347	3 500/4 000/5 000	16 323/19 341/24 339	170	80+	>100 000	> 9 000	149 000	90	> 0.9	< 20
69560	L1RVH-PS150-Q/3C-W/CHOICE	S-V0P9R0	100/120/150	120-347	3 500/4 000/5 000	16 323/19 341/24 339	170	80+	>100 000	> 9 000	149 000	90	> 0.9	< 20
69746	L1RVH-PS180-Q/3C-B/CHOICE	S-KG0PPL	130/150/180	120-347	3 500/4 000/5 000	23 258/25 467/29 510	165	80+	>100 000	> 9 000	147 000	90	> 0.9	< 20
69429	L1RVH-PS240-Q/3C-B/CHOICE	S-DP2ER8	200/240	120-347	3 500/4 000/5 000	32 363/38 345	168	80+	>100 000	> 9 000	147 000	90	> 0.9	< 20

¹ Typical color temperature range: +/- 5 %

² Lumen values are derived from photometric testing. Initial lumens range: +/- 10 %

³ Lumen values are based on 4 000 K default programming. Please refer to the LUMEN SPECIFICATION TABLE for more details on other color temperatures

⁴ Life hours are derived from IESNA LM-80-08 testing report and projected per IESNA TM-21-11 extrapolations

⁵ 120° beam angle also available. See accessory table

⁶ Primary Use Designation: High-Bay Luminaires for Commercial and Industrial Buildings

ACCESSORIES (order separately)

Order code	Type	Compatible with
68818	1/2 NPT Male to 3/4 NPT Female adapter with black junction box	69428, 69429, 69746
69660	1/2 NPT Male to 3/4 NPT Female adapter with white junction box	69560
HAR1159	1/2 NPT Male to 3/4 NPT Female conduit adapter	All configurations
68819	Trunnion 100W-180W Black	69428, 69746
69661	Trunnion 100W-180W White	69560
68820	Trunnion 200W-240W Black	69429
69627	120° Beam Angle Lens 100W-180W	69428, 69560, 69746
69628	120° Beam Angle Lens 200W-240W	69429
69629	Stainless steel safety cable (10 ft)	All configurations
68821	Aluminium reflector 100W-180W	69428, 69560, 69746
68822	Aluminum reflector 200W-240W	69429
68823	PC reflector 100W-180W	69428, 69560, 69746
68824	PC reflector 200W-240W	69429
69630	PC reflector cover 100W-180W	69428, 69560, 69746
69631	PC reflector cover 200W-240W	69429
69907	Stainless steel wireguard 100-180W	69428, 69560, 69746
69908	Stainless steel wireguard 200-240W	69429
69651^{1,2}	Bluetooth Mesh PIR sensor OSI-PIR106	All configurations
69444^{1,3,4}	External High Frequency sensor kit EFS06R	All configurations
69640^{1,2,3}	External PIR sensor kit OSI-EFS07-AUX	All configurations
69080	Remote control RM51	69444, 69640
69013⁵	External Rugby emergency back-up BLD-RM30R	All configurations
69014	Remote control Rugby EM back-up RN51M	69013

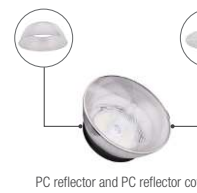
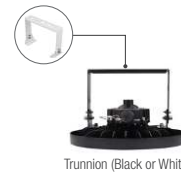
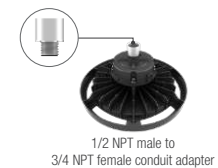
¹ Maximum ambient temperature for sensor is 55°C

² PIR sensors not compatible with reflectors 68821, 68822, 68823 and 68824

³ To change the factory setting, purchase remote 69080 (sold separately)

⁴ When used in conjunction with reflectors 68821, 68822, 68823 and 68824, the ambient temperature cannot exceed 25°C

⁵ To manually test in EM mode remote 69014 can be purchased separately



Lumen values are derived from photometric testing
For a complete list of compatible dimmers and DLC qualified products, please visit www.standardpro.com





LED Flood Light

The FLM GEN. 2 Choice series is a family of highly efficient and affordable compact flood lights featuring the latest in LED technology making it an ideal solution for any commercial and residential applications: backyards, walkways as well as flood lighting of signs and building fronts.



25 W



60 W



100 W



150 W

Order code	Model number	Watts (W)	Volts (VAC)	Color temp. (K) ¹	Lumen output (lm) ^{2,3}	Efficiency (lm/W)	CRI	Life L70 (hrs) ⁴	Tested hours LM-80 (hrs) ⁴	Calculated TM21 (hrs) ⁴	NEMA type	B.U.G.	EPA (ft ²)	LED Current	Finish	Photocell (Yes/No)	Power factor	THD (%)	Master case qty
CCT and Power Selectable with Integrated Photocell⁵																			
69925	FLM-PS25B-Q-3C-BK/CHOICE	15/25	120-347	3 000/4 000/5 000	3 396	136	80+	50 000	9 000	140 000	7Hx6V	B1 U0 G1	0.18	0.25	Black	NO	≥0.87	≤25	10
69926	FLM-PS60B-Q-3C-BK/CHOICE	35/60	120-347	3 000/4 000/5 000	8 453	141	80+	50 000	9 000	140 000	7Hx6V	B3 U0 G1	0.42	0.6	Black	YES	≥0.87	≤25	10
69927	FLM-PS100B-Q-3C-BK/CHOICE	60/80/100	120-347	3 000/4 000/5 000	15 806	158	80+	50 000	9 000	140 000	7Hx6V	B3 U0 G1	0.6	1	Black	YES	≥0.87	≤25	5
69928	FLM-PS150B-Q-3C-BK/CHOICE	100/120/150	120-347	3 000/4 000/5 000	23 258	155	80+	50 000	9 000	140 000	7Hx6V	B3 U0 G1	0.6	1.5	Black	YES	≥0.87	≤25	5

¹ Typical color temperature range: +/- 5 %.

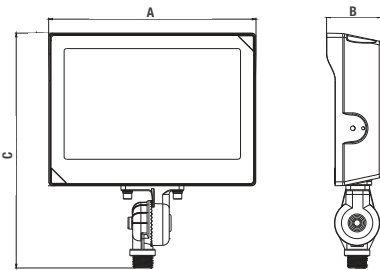
² Lumen values are derived from photometric testing. Initial lumens range: +/- 10 %.

³ Lumen values are based on 4 000 K default programming. Please refer to the LUMEN SPECIFICATION TABLE for more details on other color temperatures.

⁴ Life hours are derived from IESNA LM-80 testing report and projected per IESNA TM-21 extrapolations.

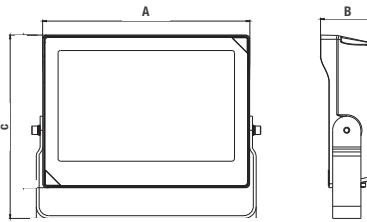
⁵ Integrated ON/OFF photocell that can be easily disabled on selected models.

DIMENSIONS AND WEIGHTS



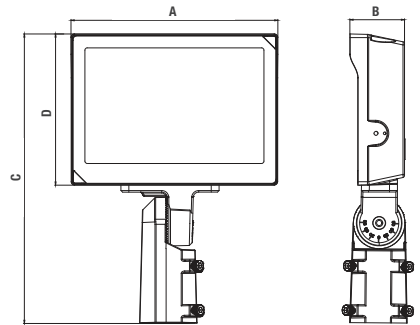
KNUCKLE MOUNT

	25 W	60 W
A in. (cm)	5.82 (14.8)	8.7 (22.1)
B in. (cm)	2 (5.1)	2.28 (5.8)
C in. (cm)	7.67 (19.5)	9.84 (25)
Net weight (lbs)	2.42	3.43



YOKE MOUNT

	25 W	60 W	100 W	150 W
A in. (cm)	6.18 (15.7)	9.21 (23.4)	10.35 (26.75)	11.5 (29.15)
B in. (cm)	2 (5.1)	2.28 (5.8)	2.8 (7.1)	2.88 (7.33)
C in. (cm)	5.27 (13.4)	7.67 (19.5)	7.5 (19.15)	8.38 (21.15)
Net weight (lbs)	2.11	3.77	8.8	10.58



SLIPFITTER

	100 W	150 W
A in. (cm)	10.3 (26.7)	10.3 (26.7)
B in. (cm)	2.8 (7.1)	2.8 (7.1)
C in. (cm)	14.6 (37.1)	14.6 (37.1)
D in. (cm)	7.72 (19.6)	7.72 (19.6)

Lumen values are derived from photometric testing





LED Wall Pack

The WSL Choice series includes all the options required for a wall-mounted luminaire. With its slimmer profile, this series is equipped with a photocell and benefits from the latest LED technology, allowing the user to control color temperature and wattage via integrated switches. Typical applications are security lighting over entrances, stairwells and pedestrian areas. This modern-style series is an excellent choice for any industrial or commercial application.



BRONZE



BLACK

Order code	Model number	Watts (W)	Volts (VAC)	Color temp. (K) ¹	Lumen output (lm) ^{2,3}	Efficiency (lm/W)	CRI	Life L70 (hrs) ⁴	BUG	Finish	Photocell (Yes/No)	Dimming (Yes/No)	Power factor	THD (%)	Master case qty
69721	WSL-PS60-Q-3C-BK/CHOICE	30/40/60	120-347	30/40/50K	4 200/5 600/8 400	140	80+	50 000	133	Black	Yes	Yes	0.99	20	1
69722	WSL-PS80-Q-3C-BK/CHOICE	40/60/80	120-347	30/40/50K	5 600/8 400/11 200	140	80+	50 000	134	Black	Yes	Yes	0.91	20	1
69723	WSL-PS60-Q-3C-BR/CHOICE	30/40/60	120-347	30/40/50K	4 200/5 600/8 400	140	80+	50 000	133	Bronze	Yes	Yes	0.99	20	1
69724	WSL-PS80-Q-3C-BR/CHOICE	40/60/80	120-347	30/40/50K	5 600/8 400/11 200	140	80+	50 000	134	Bronze	Yes	Yes	0.91	20	1

¹ Typical color temperature range: +/- 5 %.

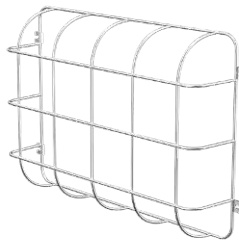
² Lumen values are derived from photometric testing. Initial lumens range: +/- 10 %.

³ Lumen values are based on 4 000 K default programming. Please refer to the LUMEN SPECIFICATION TABLE for more details on other color temperatures.

⁴ Life hours are derived from IESNA LM-80-08 testing report and projected per IESNA TM-21-11 extrapolations

ACCESSORY (order separately)

Order code	Type
69725	Wireguard



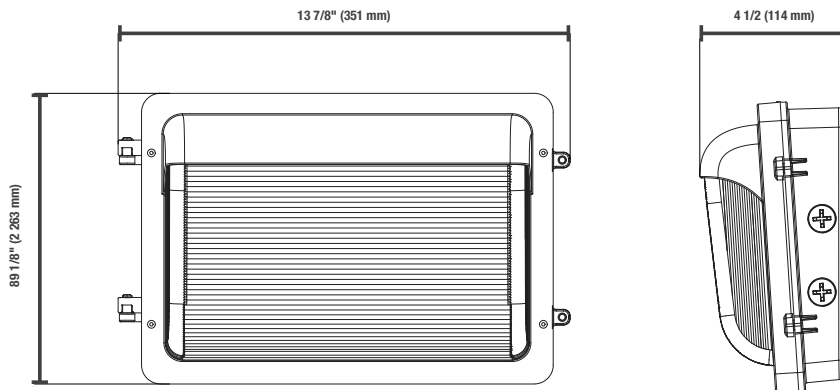
COMPATIBLE DIMMERS¹

Brand	Model
Lutron	NTSTV-DV, NFTV, DDTV-WH
Leviton	DS710, IP710
Legrand	H4FBL3PW

Dimming range: 0%-100%

¹ This table shows dimmers that have been tested and have demonstrated proper operation under normal conditions. Each installation being unique, various factors such as load, common neutrals or other electrical products on the circuit can, in certain instances, cause variance in system performance. Read and comply to the dimmer installation instructions. Consult dimming system manufacturer for additional support in operation. Some dimmers may require more than one product for stable operation. Stanpro recommends to use dimmers designed to work with LED products. Older dimmers designed for incandescent products may cause erratic operation.

DIMENSIONS



Lumen values are derived from photometric testing



E-Lume™

STANDARD offers a variety of products within its E-Lume™ brand, providing a good balance between great value and excellent performance.



Recessed Fixture

The E-Lume™ Recessed Fixtures line is composed of airtight housings and of a variety of trims, offering different designs and finishes.

4 1/4" Housings



Order code	Description	Opening diameter (in.)	Volts (VAC)	Socket	Case qty (master)
Remodeler - IC Airtight					
64359 ^{2,4}	RF4in/REMOD/IC/LED/E26/ELUME	4 1/4	120	E26	6
64360 ^{1,4}	RF4in/REMOD/IC/LED/GU10/ELUME	4 1/4	120	GU10	6
New Construction - IC Airtight					
64361 ^{1,4}	RF4in/NC/IC/NOBOX/LED/GU10/ELUME	4 1/4	120	GU10	6
64362 ^{2,4}	RF4in/NC/IC/NOBOX/LED/E26/ELUME	4 1/4	120	E26	6
New Construction - IC Airtight					
64363 ³	RF4in/NC/IC/E26/ELUME	4 1/4	120	E26	6
64364 ³	RF4in/NC/IC/GU10/ELUME	4 1/4	120	GU10	6

4 1/4" Trims

Compatible Lamp (PAR20)



Order code	Description	Finish	Rotation angle (°)	Case qty (master)
Deep Baffle				
64376	RF4/TRIM/DB/BLK/PAR20/ELUME	Black	N/A	24
64377	RF4/TRIM/DB/BLK_BR.NKL/PAR20/ELUME	Black / Brushed Nickel	N/A	24
64378	RF4/TRIM/DB/WH/PAR20/ELUME	White	N/A	24
Gimbal				
64379	RF4/TRIM/GMB/BLK/PAR20/ELUME	Black	30	12
64381	RF4/TRIM/GMB/BR.NKL/PAR20/ELUME	Brushed Nickel	30	12
64383	RF4/TRIM/GMB/WH/PAR20/ELUME	White	30	12
64384	RF4/TRIM/GMB/BRZ/PAR20/ELUME	Bronze	30	12
Reflector				
64372	RF4/TRIM/RFL_BLK/PAR20/ELUME	Black	N/A	24
64373	RF4/TRIM/RFL_WH/PAR20/ELUME	White	N/A	24
64374	RF4/TRIM/RFL_BR.NKL/PAR20/ELUME	Brushed Nickel	N/A	24

For complete warranty information please visit www.standardpro.com
⁴ Only valid with LED lamps

1^{yr} **6**
warranty lamp location

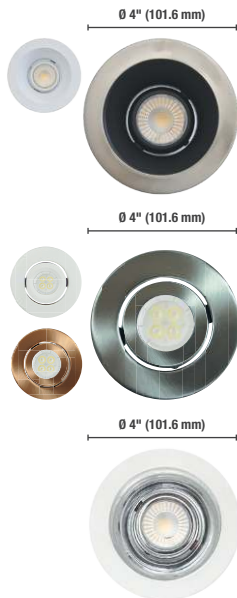
airtight

7w¹ **9w**² **50w**³
maximum per lamp maximum per lamp maximum per lamp



4 1/4" Trims

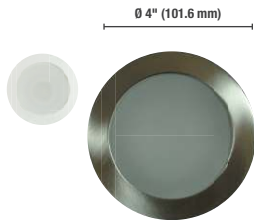
Compatible Lamp (MR16 GU10, MR16 E26, PAR16)



Order code	Model number	Finish	Rotation angle (°)	Case qty (master)
Deep Baffle - Gimbal				
64371	RF4/TRIM/GMB.DB/BLK_BR.NKL/MR16/ELUME	Black / Brushed Nickel	30	24
64375	RF4/TRIM/GMB.DB/WH/MR16/ELUME	White	30	24
Gimbal				
64380	RF4/TRIM/GMB/BR.NKL/MR16/ELUME	Brushed Nickel	30	12
64382	RF4/TRIM/GMB/WH/MR16/ELUME	White	30	12
64385	RF4/TRIM/GMB/BRZ/MR16/ELUME	Bronze	30	12
Reflector - Gimbal				
65548	RF4/TRIM/GMB.DB/RFL_WH/MR16/ELUME	Chrome / White	30	24
66751	F4/TRIM/GMB.DB_SLEEK/WH/MR16/ELUME	White	30	24

4 1/4" Shower Trims

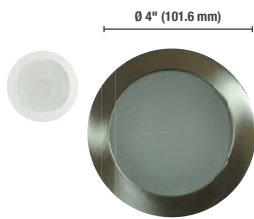
Compatible Lamp² (PAR20)



Order code	Description	Finish	Rotation angle (°)	Case qty (master)
Shower				
64387 ¹	RF4/TRIM/SWR/BR.NKL/PAR20/ELUME	Brushed Nickel	N/A	24
64389 ¹	RF4/TRIM/SWR/WH/PAR20/ELUME	White	N/A	24

4 1/4" Shower Trims

Compatible Lamp² (MR16 GU10, MR16 E26, PAR16)



Order code	Description	Finish	Rotation angle (°)	Case qty (master)
Shower				
64386 ¹	RF4/TRIM/SWR/BR.NKL/MR16/ELUME	Brushed Nickel	N/A	24
64388 ¹	RF4/TRIM/SWR/WH/MR16/ELUME	White	N/A	24

Accessories

Order code	Description	Opening diameter (in.)	Type	Case qty (master)
66052	RF/ACC/4.5/MOUNT. PLATE/SQR/STD	4 1/2	Square mounting plate	50
62772	RF/ACC/4.5/MOUNT. PLATE/HANG.BARS/STD	4 1/2	Mounting plate with hanger bars	25
62679	ACC/VAPOR BARRIER/STD	-	Vapor barrier extender	25
66143	ACC/4/VAPOR BARRIER/STD	4 1/4	Vapor barrier extender	50



¹ Notes: Not recommended for use in steam showers or when directly exposed to water
² Enclosed fixtures may reduce the LED or CFL lamp life



Incandescent Lamp



BR30



G16.5



G25



R16



R20

Order code	Description	Watts (W)	Base	Volts (VAC)	Finish	Filament	Life L70 (hrs)	Lumen output (lm)	LCL (in.)	LCL (mm)	Case qty (inner/master)
BR30											
52452	65BR30/FL/5M/ES/130V/ELUME 2P	65	E26	130	Frost	CC-6	5 000	590	4	101	12/60
G16.5											
52453	25G16.5/CL/3M/E12/130V/ELUME 2P	25	E12	130	Clear	C-7A	3 000	160	1 7/8	48	24/120
52454	40G16.5/CL/3M/E12/130V/ELUME 2P	40	E12	130	Clear	C-7A	3 000	315	1 7/8	48	24/120
G25											
52455	40G25/CL/3M/130V/ELUME 2P	40	E26	130	Clear	C-9	3 000	350	2 7/8	73	12/60
52457	40G25/WH/3M/130V/ELUME 2P	40	E26	130	White	C-9	3 000	330	2 7/8	73	12/60
R16											
52459	40R16/SW/1M/120V/ELUME 2P	40	E26	120	Soft White	CC-6	1 000	445	3 1/32	77	12/60
52460	60R16/SW/1M/130V/ELUME 2P	60	E26	130	Soft White	CC-6	1 000	730	3 1/32	77	12/60
R20											
52462	30R20/FL/5M/130V/ELUME 2P	30	E26	130	Frost	C-9	5 000	135	2 9/16	65	12/60
61707	45R20/FL/5M/130V/ELUME 2P	45	E26	130	Frost	CC-6	5 000	242	2 9/16	65	12/60

CFL Lamp



PAR20



T2



4 pack



12 pack

Order code	Description	Watts (W)	Base	Color temp. (K)	CRI	Life L70 (hrs)	Lumen output (lm)	Traditional equivalent (W) Incandescent	Case qty (master)
PAR20									
59674	CF9/41K/PAR20/E26/ELUME	9	E26	4 100	82	8 000	300	50	6/48
T2 Spirals									
62764	CF7/T2/27K/SPIRAL/E26/ELUME	7	E26	2 700	82	10 000	430	40	6/48
61020	CF9/T2/27K/SPIRAL/E26/ELUME	9	E26	2 700	82	10 000	550	40	6/48
62311	CF9/T2/41K/SPIRAL/E26/ELUME	9	E26	4 100	82	10 000	550	40	6/48
62765	CF11/T2/27K/SPIRAL/E26/ELUME	11	E26	2 700	82	10 000	730	40	6/48
61021	CF13/T2/27K/SPIRAL/E26/ELUME	13	E26	2 700	82	10 000	900	60	6/48
61024	CF13/T2/30K/SPIRAL/E26/ELUME	13	E26	3 000	82	10 000	900	60	6/48
61026	CF13/T2/35K/SPIRAL/E26/ELUME	13	E26	3 500	82	10 000	850	60	6/48
61031	CF20/T2/27K/SPIRAL/E26/ELUME	20	E26	2 700	82	10 000	1 330	75	6/48
61032	CF23/T2/27K/SPIRAL/E26/ELUME	23	E26	2 700	82	10 000	1 600	100	6/48
61033	CF23/T2/30K/SPIRAL/E26/ELUME	23	E26	3 000	82	10 000	1 600	100	6/48
61034	CF23/T2/41K/SPIRAL/E26/ELUME	23	E26	4 100	82	10 000	1 600	100	6/48
61035	CF23/T2/50K/SPIRAL/E26/ELUME	23	E26	5 000	82	10 000	1 600	100	6/48
T2 Spirals packs									
61022	CF13/T2/27K/SPIRAL/E26/ELUME 4P	13	E26	2 700	82	10 000	900	60	1/64
61025	CF13/T2/30K/SPIRAL/E26/ELUME 4P	13	E26	3 000	82	10 000	900	60	1/64
61027	CF13/T2/41K/SPIRAL/E26/ELUME 4P	13	E26	4 100	82	10 000	880	60	1/64
61023	CF13/T2/27K/SPIRAL/E26/ELUME 12P	13	E26	2 700	82	10 000	900	60	1/48

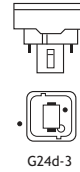
CFL Lamp



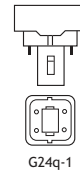
2-pin Double
Twin Tube



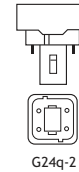
4-pin Double
Twin Tube



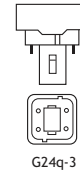
G24d-3



G24q-1



G24q-2



G24q-3

2-pin

4-pin

Order code	Description	Watts (W)	Base	Color temp. (K)	CRI	Life L70 (hrs)	Lumen output (lm)	MOL (in.) (mm)	Case qty (master)	
2-pin Double Twin Tube										
14113	PL26/27K/DTT/2P/ELUME	26	G24d-3	2 700	82	10 000	1 540	6 ¹³ / ₁₆	173	6/96
14114	PL26/35K/DTT/2P/ELUME	26	G24d-3	3 500	82	10 000	1 540	6 ¹³ / ₁₆	173	6/96
4-pin Double Twin Tube										
14117	PL13/30K/DTT/4P/ELUME	13	G24q-1	3 000	82	10 000	810	5 ⁵ / ₃₂	131	6/96
14120	PL18/30K/DTT/4P/ELUME	18	G24q-2	3 000	82	10 000	1 035	5 ²⁵ / ₃₂	147	6/96

HID Lamp



BD17

Order code	Description	Watts (W)	Base	Shape	Color temp. (K)	ANSI code	CRI	Life L70 (hrs)	Lumen output (lm)	Mean lumens (lm)	Burn pos.	Finish	Luminaire	Case qty (master)
Pulse Start														
58517	MH100W/C/U/PS/ELUME	100	E26	BD17	3 700	M90	70	15 000	8 500	5 500	U	Coated	Enclosed	24

Fluorescent Lamp



Order code	Description	Watts (W)	Base	Color temp. (K)	CRI	Rated life IS 3-12 hrs ²	Lumen output (lm)	Mean lumens (lm)	Nominal length (in.) (mm)	Efficacy (lm/W)	Case qty (master)
T8 Preheat Start											
56514 ¹	F15T8/CW/PH/G13/ELUME	15	Med Bipin	4 100	62	6 000-7 500	610	573	18 457	41	48
56515 ¹	F15T8/DL/PH/G13/ELUME	15	Med Bipin	6 500	72	6 000-7 500	560	526	18 457	37	48

Order code	Description	Watts (W)	Base	Color temp. (K)	CRI	Rated life IS 3-12 hrs ²	Rated life PS/PRS 3-12 hrs ²	Lumen output (lm)	Mean lumens (lm)	Nominal length (in.) (mm)	Efficacy (lm/W)	Case qty (master)
T8 800 Series - Rapid Start												
62513 ¹	F32T8/35K/8/RS/G13/ELUME/BULK	32	Med Bipin	3 500	85	24 000-30 000	40 000-42 000	3 050	2 900	48 1 220	95	25
62514 ¹	F32T8/41K/8/RS/G13/ELUME/BULK	32	Med Bipin	4 100	85	24 000-30 000	40 000-42 000	3 000	2 850	48 1 220	94	25
62515 ¹	F32T8/50K/8/RS/G13/ELUME/BULK	32	Med Bipin	5 000	85	24 000-30 000	40 000-42 000	2 950	2 800	48 1 220	92	25
62516 ¹	F32T8/65K/8/RS/G13/ELUME/BULK	32	Med Bipin	6 500	85	24 000-30 000	40 000-42 000	2 900	2 750	48 1 220	91	25



Order code	Description	Watts (W)	Base	Color temp. (K)	CRI	Rated life IS 3-12 hrs ²	Lumen output (lm)	Mean lumens (lm)	Nominal length (in.) (mm)	Efficacy (lm/W)	Case qty (master)
T5 Preheat Start											
56510	F6T5/CW/PH/G5/ELUME	6	Min Bipin	4 100	62	6 000-7 500	240	225	9 229	40	48
56511	F6T5/DL/PH/G5/ELUME	6	Min Bipin	6 500	62	6 000-7 500	210	197	9 229	35	48
56512	F8T5/CW/PH/G5/ELUME	8	Min Bipin	4 100	62	6 000-7 500	350	329	12 305	44	48
56513	F8T5/DL/PH/G5/ELUME	8	Min Bipin	6 500	62	6 000-7 500	310	291	12 305	39	48
56518	F13T5/WW/PH/G5/ELUME	13	Min Bipin	3 000	62	6 000-7 500	800	752	21 530	62	48
57392	F13T5/CW/PH/G5/ELUME	13	Min Bipin	4 100	62	6 000-7 500	740	695	21 530	57	48

¹TCLP compliant

² Based on a 3 hour and 12 hour start

IS=Instant Start ballast

PS=Program Start ballast

PRS=Program Rapid Start ballast

Order code	Description	Watts (W)	Base	Color temp. (K)	CRI	Rated life PS/PRS 3-12 hrs ²	Lumen output (lm)	Mean lumens (lm)	Nominal length (in.) (mm)	Efficacy (lm/W)	Case qty (master)
T5 Program Start											
59187 ¹	F14T5/35K/8/PS/G5/ELUME	14	Min Bipin	3 500	85	24 000-30 000	1 350	1 280	22 559	96	25
59189 ¹	F14T5/50K/8/PS/G5/ELUME	14	Min Bipin	5 000	85	24 000-30 000	1 300	1 230	22 559	93	25
59190 ¹	F21T5/35K/8/PS/G5/ELUME	21	Min Bipin	3 500	85	24 000-30 000	2 100	2 000	34 864	100	25
59191 ¹	F21T5/41K/8/PS/G5/ELUME	21	Min Bipin	4 100	85	24 000-30 000	2 100	2 000	34 864	100	25
59192 ¹	F21T5/50K/8/PS/G5/ELUME	21	Min Bipin	5 000	85	24 000-30 000	2 100	2 000	34 864	100	25
59196 ¹	F28T5/35K/8/PS/G5/ELUME	28	Min Bipin	3 500	85	24 000-30 000	2 900	2 750	46 1 168	104	25
59197 ¹	F28T5/41K/8/PS/G5/ELUME	28	Min Bipin	4 100	85	24 000-30 000	2 900	2 750	46 1 168	104	25
59198 ¹	F28T5/50K/8/PS/G5/ELUME	28	Min Bipin	5 000	85	24 000-30 000	2 750	2 610	46 1 168	98	25

T5 H0 Program Start

59193 ¹	F24T5/35K/8/HO/PS/G5/ELUME	24	Min Bipin	3 500	85	24 000-30 000	2 000	1 900	22 559	83	25
59194 ¹	F24T5/41K/8/HO/PS/G5/ELUME	24	Min Bipin	4 100	85	24 000-30 000	2 000	1 900	22 559	83	25
59195 ¹	F24T5/50K/8/HO/PS/G5/ELUME	24	Min Bipin	5 000	85	24 000-30 000	1 900	1 805	22 559	79	25
59201 ¹	F39T5/50K/8/HO/PS/G5/ELUME	39	Min Bipin	5 000	85	24 000-30 000	3 500	3 325	34 864	90	25
65494	F54T5/35K/8/HO/PS/G5/ELUME	54	Min Bipin	3 500	85	35 000-40 000	5 000	4 651	46 1 168	83	25
65495	F54T5/41K/8/HO/PS/G5/ELUME	54	Min Bipin	4 100	85	35 000-40 000	5 000	4 450	46 1 168	93	25
69289	F54T5/50K/8/HO/PS/G5/ELUME S2	54	Min Bipin	5 000	85	30 000-40 000	4 900	4 465	46 1 168	77	25



Ø 1 5/32" (29.5 mm)

Order code	Description	Watts (W)	Base	Color temp. (K)	CRI	Life L70 (hrs)	Lumen output (lm)	Mean lumens (lm)	Nominal length (in.) (mm)	Efficacy (lm/W)	Case qty (master)
CIRCLINE Rapid Start											
56516	FC8T9/CW/RS/4P/ELUME	22	Circline 4-Pin	4 100	60	12 000	1 150	1 095	9 229	52	24
56517	FC12T9/CW/RS/4P/ELUME	32	Circline 4-Pin	4 100	85	12 000	1 570	1 495	12 305	49	24

¹TCLP compliant

² Based on a 3 hour and 12 hour start

IS=Instant Start ballast

PS=Program Start ballast

PRS=Program Rapid Start ballast



Printed in Canada.

© 2021 STANDARD Products Inc. All Rights Reserved.

Data is based upon tests performed in a controlled environment.
Actual performance can vary depending on operating conditions.
All products are subject to change or may be discontinued any time without notice.

For the latest version, please refer to our website.

www.standardpro.com



STANPRO



standardpro.com

STANPRO