

B – BRAVA®

ELECTRIC BASEBOARD

BRAVA®



THE REFERENCE ON THE MARKET

The B baseboard's reputation is well established. It's simply the most recognized and sought-after baseboard on the market. Now known as the Brava, this strong and durable baseboard stands out thanks to its rounded corners and unique, no-end-cap, one-piece design.

■ **ROUNDED CORNERS**

■ **QUICK AND EASY INSTALLATION**

■ **STRONG CABINET**

ONE-PIECE CONSTRUCTION

■ **MAY BE CONTROLLED BY A BUILT-IN OR WALL THERMOSTAT**

COLOURS

- **standard:** white
- **Orora (optional):** refer to www.stelpro.com/en-CA/orora

FINISH

- epoxy-polyester powdercoat

MANUFACTURING

- 22-gauge steel casing able to support 75 kg (165 lb) at its centre
- full-length thermal protection with automatic reset
- cabinet designed to ensure optimal hot air distribution
- full-length wireway

ELEMENT

- single tubular, stainless steel sheathed element with boxed aluminum fins for improved heat dissipation; the element is securely fastened at its centre, floating in nylon sleeves at each end, eliminating expansion and contraction noises

CONTROL

- built-in thermostat installed in the left or right junction box (optional)
- single pole electronic thermostat installed in the left or right junction box (optional)
- wall thermostat (not included) – the use of an electronic thermostat is strongly recommended
- low voltage relay kit installed in the left junction box only (optional)

INSTALLATION

- surface mounted
- knockouts for the BX and clamps for the NMD cables located at each end
- mounting holes spaced at 1-inch intervals along the top and the bottom of the unit

WARRANTY

- five years, *three years on electronic components and lifetime warranty on heating element (for original owner)

IDEAL FOR:

kitchen, living room, bedroom, office, basement, commercial space

°STELPRO

Stelpro reserves the right to modify at any time the description, manufacturing, or price of its products. **Additionally, Stelpro may apply restocking fees or refuse a refund based on one or more of the following criteria: optional color, custom product, assembly with low-demand options.** For the latest product information and prices regarding the products, please visit the website www.stelpro.com.

TECHNICAL SPECIFICATIONS

DENSITY OF 250 W PER LINEAR FOOT	POWER	VOLTAGE	LENGTH		WEIGHT	
			MM	IN.	KG	LB
CODE	WATTS	VOLTS				
B03019W	300	120	559	22	2.0	4.3
B03089W	300	208	559	22	2.0	4.3
B03029W	300/225	240/208	559	22	2.0	4.3
---	300	347	559	22	2.0	4.3
---	300	600	559	22	2.0	4.3
B0501W	500	120	708	27 7/8	3.0	7
B0508W	500	208	708	27 7/8	3.0	7
B0502W	500/375	240/208	708	27 7/8	3.0	7
B0503W	500	347	708	27 7/8	3.0	7
---	500	600	708	27 7/8	3.0	7
B0751W	750	120	956	37 5/8	4.1	9
B0758W	750	208	956	37 5/8	4.1	9
B0752W	750/560	240/208	956	37 5/8	4.1	9
B0753W	750	347	956	37 5/8	4.1	9
B0756W	750	600	956	37 5/8	4.1	9
B1001W	1000	120	1207	47 1/2	5.1	11
B1008W	1000	208	1207	47 1/2	5.1	11
B1002W	1000/750	240/208	1207	47 1/2	5.1	11
B1003W	1000	347	1207	47 1/2	5.1	11
B1006W	1000	600	1207	47 1/2	5.1	11
B1251W	1250	120	1454	57 1/4	6.2	14
B1258W	1250	208	1454	57 1/4	6.2	14
B1252W	1250/940	240/208	1454	57 1/4	6.2	14
B1253W	1250	347	1454	57 1/4	6.2	14
B1256W	1250	600	1454	57 1/4	6.2	14
B1501W	1500	120	1683	66 1/4	7.2	16
B1508W	1500	208	1683	66 1/4	7.2	16
B1502W	1500/1125	240/208	1683	66 1/4	7.2	16
B1503W	1500	347	1683	66 1/4	7.2	16
B1506W	1500	600	1683	66 1/4	7.2	16
---	1750	120	1930	76	8.2	18
B1758W	1750	208	1930	76	8.2	18
B1752W	1750/1315	240/208	1930	76	8.2	18
B1753W	1750	347	1930	76	8.2	18
B1756W	1750	600	1930	76	8.2	18
---	2000	120	2130	83 7/8	9.1	20
B2008W	2000	208	2130	83 7/8	9.1	20
B2002W	2000/1500	240/208	2130	83 7/8	9.1	20
B2003W	2000	347	2130	83 7/8	9.1	20
B2006W	2000	600	2130	83 7/8	9.1	20
---	2250	120	2381	93 3/4	10.2	22
B2258W	2250	208	2381	93 3/4	10.2	22
B2252W	2250/1690	240/208	2381	93 3/4	10.2	22
B2253W	2250	347	2381	93 3/4	10.2	22
B2256W	2250	600	2381	93 3/4	10.2	22
---	2500	120	2607	102 5/8	11.1	24
B2508W	2500	208	2607	102 5/8	11.1	24
B2502W	2500/1875	240/208	2607	102 5/8	11.1	24
B2503W	2500	347	2607	102 5/8	11.1	24
B2506W	2500	600	2607	102 5/8	11.1	24

Consult the optional colours chart or contact your Stelpro representative for all other colours.

Models also available in 277 V and 480 V.

--- not available

Please note that the width of the units may vary by more or less 1/16 in. (0.15 cm).

BUILT-IN THERMOSTATS



SIBTE - ELECTRONIC



SIBTx - MECHANICAL



ACCESSORIES

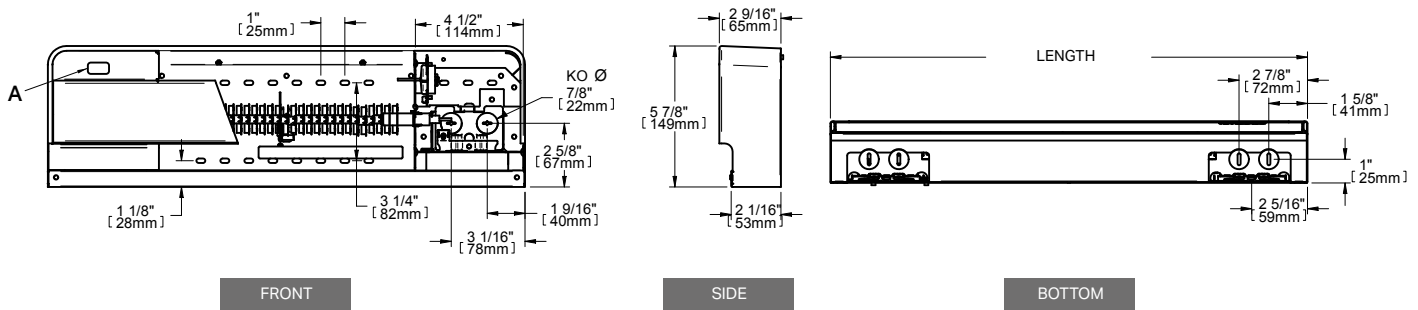
PRODUCT	DESCRIPTION
SIBTE12C	built-in electronic thermostat – Celsius [120 V-240 V]
SIBTE13C	built-in electronic thermostat – Celsius [277 V-347 V]
SIBT1W	built-in single pole thermostat [120 V-600 V]
SIBT2W	built-in double pole thermostat [120 V-600 V]
SIBT2TPW	built-in tamper-proof double pole thermostat [120 V-600 V]
BRE153	built-in electronic low voltage relay [15 A @ 120 V-347 V]
BRE156	built-in electronic low voltage relay [6 A @ 600 V]
BRE153T*	built-in electronic low voltage relay c/w transformer 24 V [15 A @ 208 V-347 V]
BPW	spray paint

Electronic relays can receive a PWM (pulsed width modulation) or digital (on/off) signal.

*Transformer is supplying 27.5 Vac to thermostat when triac is used at 347 Vac. Here is the voltage supplied by the transformer when triac is used at other voltages:

VOLTAGE TRIAC			
347 Vac	277 Vac	240 Vac	208 Vac
27.5 V	21.2 V	19.0 V	16.5 V

TECHNICAL DRAWINGS



A = LOCATION OF BUILT-IN THERMOSTAT (OPTIONAL)



Stelpro reserves the right to modify at any time the description, manufacturing, or price of its products. Additionally, Stelpro may apply restocking fees or refuse a refund based on one or more of the following criteria: optional color, custom product, assembly with low-demand options. For the latest product information and prices regarding the products, please visit the website www.stelpro.com.