

DR | DRAGON™

CEILING FAN HEATER



THE AUTHENTIC DRAGON!

The hallmark of the DRAGON is that it recycles residual warm air that has accumulated at the ceiling, mixing it with the cooler air below. The result? Uniform air temperature and energy savings. The DRAGON offers an output of 2000 W to 10 000 W, depending on the model, and offers voltages ranging from 208 V to 600 V. This unit can be ceiling surface mounted or ceiling recessed, suspended at a minimum of 8 feet from the floor. The DRAGON is well suited for building entryways, stairwells, warehouses, garages, workshops and hallways. Nothing beats the power of the DRAGON!

FAST TEMPERATURE RISE VIA HEAT RECOVERY

CHOICE OF 2000 W TO 10 000 W

STATE-OF-THE ART EFFICIENCY NICHROME ELEMENT

SURFACE MOUNTED OR RECESSED INSTALLATION

OPTIONAL OFS MODEL TO CONTROL FAN-ONLY MODE WITH WALL SWITCH

IDEAL FOR:

building entryway, warehouse, stairwell, garage, workshop

COLOURS

- **standard:** white, soft white
- **ORORA (optional):** refer to www.stelpro.com/en-CA/orora

FINISH

- epoxy-polyester powdercoat

MANUFACTURING

- 20-gauge steel cabinet and 14-gauge steel grille
- quiet helicoidal fan
- thermal protection with automatic reset
- totally enclosed, permanently lubricated motor

ELEMENT

- nichrome element produces instant heat

CONTROL

- wall thermostat (not included) – the use of an electronic thermostat is strongly recommended (up to 4000 W)
- fan-only mode for continuous air circulation, controlled by built-in selection switch

- fan-only mode available for use with wall mounted switch (optional OFS model, wall switch not provided)
- heating mode, confirmed by pilot light when heating is on
- connection of multiple units to the same thermostat is possible with a relay kit without a transformer (optional) and an external transformer (not provided)

INSTALLATION

- ceiling recessed in a T-bar (DRR model)
- ceiling surface mounted with bracket to support unit during wiring (DRI and DRII models) (included)
- install at a minimum distance from adjacent or surrounding walls: 12 in. (DRR or DRI models); 24 in. (DRII models)
- mounting heights: 8 ft. (2 kW or 3 kW units); 10 ft. (4 kW or 5 kW units); 12 ft. (7.5 kW or 10 kW units)

WARRANTY

- three years

°STELPRO

°STELPRO reserves the right to modify descriptions, manufacturing specifications or prices without prior notice. No returns accepted on optional-colour products. For all the latest models and prices, please refer to our website at www.stelpro.com.



TECHNICAL SPECIFICATIONS

DRI AND DRII MODELS (SURFACE MOUNTED INSTALLATION)

WITHOUT CONTROL		BUILT-IN THERMOSTAT		240 V CONTROL		24 V CONTROL		POWER	VOLTAGE	FLOW	WEIGHT	
CODE	PRICE	CODE	PRICE	CODE	PRICE	CODE	PRICE	WATTS	VOLTS	CFM	KG	LB
DRI0281	454.00	DRI0281T	518.00	---	---	DRI0281C24	570.00	2000	208	250	7.2	16
DRI0221	445.00	DRI0221T	518.00	---	---	DRI0221C24	570.00	2000	240	250	7.2	16
DRI0381	473.00	DRI0381T	538.00	---	---	DRI0381C24	588.00	3000	208	250	7.2	16
DRI0321	450.00	DRI0321T	538.00	---	---	DRI0321C24	588.00	3000	240	250	7.2	16
DRI0481	491.00	DRI0481T	556.00	---	---	DRI0481C24	608.00	4000	208	450	7.2	16
DRI0421	468.00	DRI0421T	556.00	---	---	DRI0421C24	608.00	4000	240	450	7.2	16
---	---	DRI0581T	564.00	---	---	DRI0581C24	614.00	5000	208	450	7.2	16
DRI0521	474.00	DRI0521T	564.00	---	---	DRI0521C24	614.00	5000	240	450	7.2	16
---	---	DRII0281T	660.00	DRII0281C	674.00	DRII0281C24	712.00	2000	208	450	20.4	45
---	---	DRII0283CT*	910.00	DRII0283C*	859.00	DRII0283C24*	898.00	2000	208	450	20.4	45
---	---	DRII0221T	660.00	DRII0221C	674.00	DRII0221C24	712.00	2000	240	450	20.4	45
---	---	DRII0231CT	910.00	DRII0231C	859.00	DRII0231C24	898.00	2000	347	450	20.4	45
---	---	DRII0261CT	910.00	DRII0261C	859.00	DRII0261C24	898.00	2000	600	450	20.4	45
---	---	DRII0263CT*	910.00	DRII0263C*	859.00	DRII0263C24*	898.00	2000	600	450	20.4	45
---	---	DRII0381T	670.00	DRII0381C	685.00	DRII0381C24	722.00	3000	208	450	20.4	45
---	---	DRII0383CT*	919.00	DRII0383C*	870.00	DRII0383C24*	908.00	3000	208	450	20.4	45
---	---	DRII0321T	670.00	DRII0321C	685.00	DRII0321C24	722.00	3000	240	450	20.4	45
---	---	DRII0331CT	919.00	DRII0331C	870.00	DRII0331C24	908.00	3000	347	450	20.4	45
---	---	DRII0361CT	919.00	DRII0361C	870.00	DRII0361C24	908.00	3000	600	450	20.4	45
---	---	DRII0363CT*	919.00	DRII0363C*	870.00	DRII0363C24*	908.00	3000	600	450	20.4	45
---	---	DRII0481T	680.00	DRII0481C	694.00	DRII0481C24	732.00	4000	208	450	20.4	45
---	---	DRII0483CT*	930.00	DRII0483C*	880.00	DRII0483C24*	917.00	4000	208	450	20.4	45
---	---	DRII0421T	680.00	DRII0421C	694.00	DRII0421C24	732.00	4000	240	450	20.4	45
---	---	DRII0431CT	930.00	DRII0431C	880.00	DRII0431C24	917.00	4000	347	450	20.4	45
---	---	DRII0461CT	930.00	DRII0461C	880.00	DRII0461C24	917.00	4000	600	450	20.4	45
---	---	DRII0463CT*	930.00	DRII0463C*	880.00	DRII0463C24*	917.00	4000	600	450	20.4	45
---	---	DRII0581T	694.00	DRII0581C	706.00	DRII0581C24	744.00	5000	208	450	20.4	45
---	---	DRII0583CT*	943.00	DRII0583C*	891.00	DRII0583C24*	930.00	5000	208	450	20.4	45
---	---	DRII0521T	694.00	DRII0521C	706.00	DRII0521C24	744.00	5000	240	450	20.4	45
---	---	DRII0531CT	943.00	DRII0531C	891.00	DRII0531C24	930.00	5000	347	450	20.4	45
---	---	DRII0561CT	943.00	DRII0561C	891.00	DRII0561C24	930.00	5000	600	450	20.4	45
---	---	DRII0563CT*	943.00	DRII0563C*	891.00	DRII0563C24*	930.00	5000	600	450	20.4	45
---	---	DRII0781CT	1370.00	DRII0781C	1319.00	DRII0781C24	1359.00	7500	208	700	20.4	45
---	---	DRII0783CT*	1370.00	DRII0783C*	1319.00	DRII0783C24*	1359.00	7500	208	700	20.4	45
---	---	DRII0721CT	1370.00	DRII0721C	1319.00	DRII0721C24	1359.00	7500	240	700	20.4	45
---	---	DRII0731CT	1370.00	DRII0731C	1319.00	DRII0731C24	1359.00	7500	347	700	20.4	45
---	---	DRII0761CT	1370.00	DRII0761C	1319.00	DRII0761C24	1359.00	7500	600	700	20.4	45
---	---	DRII0763CT*	1370.00	DRII0763C*	1319.00	DRII0763C24*	1359.00	7500	600	700	20.4	45
---	---	DRII1081CT	1429.00	DRII1081C	1376.00	DRII1081C24	1415.00	10000	208	700	20.4	45
---	---	DRII1083CT*	1429.00	DRII1083C*	1376.00	DRII1083C24*	1415.00	10000	208	700	20.4	45
---	---	DRII1021CT	1429.00	DRII1021C	1376.00	DRII1021C24	1415.00	10000	240	700	20.4	45
---	---	DRII1031CT	1429.00	DRII1031C	1376.00	DRII1031C24	1415.00	10000	347	700	20.4	45
---	---	DRII1061CT	1429.00	DRII1061C	1376.00	DRII1061C24	1415.00	10000	600	700	20.4	45
---	---	DRII1063CT*	1429.00	DRII1063C*	1376.00	DRII1063C24*	1415.00	10000	600	700	20.4	45

Add W for white or SW for soft white (consult the optional colours chart or contact your *STELPRO representative for all other colours).

Add OFS to control fan-only mode with a wall switch (not provided).

*Three-phase unit

Models also available in 277 V and 480 V.

--- not available

TECHNICAL SPECIFICATIONS

DRR MODELS (RECESSED INSTALLATION)

WITHOUT CONTROL		BUILT-IN THERMOSTAT		240 V CONTROL		24 V CONTROL		POWER	VOLTAGE	FLOW	WEIGHT	
CODE	PRICE	CODE	PRICE	CODE	PRICE	CODE	PRICE	WATTS	VOLTS	CFM	KG	LB
DRR0281	776.00	DRR0281T	827.00	DRR0281C	840.00	DRR0281C24	878.00	2000	208	250	13.6	30
---	---	DRR0283CT*	1069.00	DRR0283C*	1020.00	DRR0283C24*	1058.00	2000	208	250	13.6	30
DRR0221	776.00	DRR0221T	827.00	DRR0221C	840.00	DRR0221C24	878.00	2000	240	250	13.6	30
---	---	DRR0231CT	1069.00	DRR0231C	1020.00	DRR0231C24	1058.00	2000	347	250	13.6	30
---	---	DRR0261CT	1069.00	DRR0261C	1020.00	DRR0261C24	1058.00	2000	600	250	13.6	30
---	---	DRR0263CT*	1069.00	DRR0263C*	1020.00	DRR0263C24*	1058.00	2000	600	250	13.6	30
DRR0381	789.00	DRR0381T	840.00	DRR0381C	852.00	DRR0381C24	890.00	3000	208	250	14.7	32.5
---	---	DRR0383CT*	1084.00	DRR0383C*	1032.00	DRR0383C24*	1069.00	3000	208	250	14.7	32.5
DRR0321	789.00	DRR0321T	840.00	DRR0321C	852.00	DRR0321C24	890.00	3000	240	250	14.7	32.5
---	---	DRR0331CT	1084.00	DRR0331C	1032.00	DRR0331C24	1069.00	3000	347	250	14.7	32.5
---	---	DRR0361CT	1084.00	DRR0361C	1032.00	DRR0361C24	1069.00	3000	600	250	14.7	32.5
---	---	DRR0363CT*	1084.00	DRR0363C*	1032.00	DRR0363C24*	1069.00	3000	600	250	14.7	32.5
DRR0481	801.00	DRR0481T	852.00	DRR0481C	865.00	DRR0481C24	905.00	4000	208	450	14.7	32.5
---	---	DRR0483CT*	1095.00	DRR0483C*	1043.00	DRR0483C24*	1084.00	4000	208	450	14.7	32.5
DRR0421	801.00	DRR0421T	852.00	DRR0421C	865.00	DRR0421C24	905.00	4000	240	450	14.7	32.5
---	---	DRR0431CT	1095.00	DRR0431C	1043.00	DRR0431C24	1084.00	4000	347	450	14.7	32.5
---	---	DRR0461CT	1095.00	DRR0461C	1043.00	DRR0461C24	1084.00	4000	600	450	14.7	32.5
---	---	DRR0463CT*	1095.00	DRR0463C*	1043.00	DRR0463C24*	1084.00	4000	600	450	14.7	32.5
---	---	DRR0581T	865.00	DRR0581C	878.00	DRR0581C24	916.00	5000	208	450	15.4	34
---	---	DRR0583CT*	1108.00	DRR0583C*	1058.00	DRR0583C24*	1095.00	5000	208	450	15.4	34
DRR0521	813.00	DRR0521T	865.00	DRR0521C	878.00	DRR0521C24	916.00	5000	240	450	15.4	34
---	---	DRR0531CT	1108.00	DRR0531C	1058.00	DRR0531C24	1095.00	5000	347	450	15.4	34
---	---	DRR0561CT	1108.00	DRR0561C	1058.00	DRR0561C24	1095.00	5000	600	450	15.4	34
---	---	DRR0563CT*	1108.00	DRR0563C*	1058.00	DRR0563C24*	1095.00	5000	600	450	15.4	34

Add W for white or SW for soft white (consult the optional colours chart or contact your °STELPRO representative for all other colours).
Add OFS to control fan-only mode with a wall switch (not provided).

*Three-phase unit

Models also available in 277 V and 480 V.

--- not available



DRR MODEL (RECESSED)

A REVOLUTIONARY METHOD OF HEATING, THAT ELIMINATES THE NEED FOR A TRADITIONAL CEILING FAN. The DRAGON recuperates the warm air that would otherwise accumulate at the ceiling and recirculates it throughout the room.



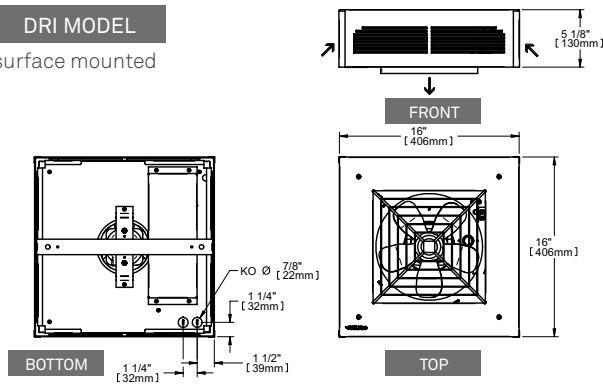
DRII MODEL (SURFACE MOUNTED)

(PREVIOUS PAGE)

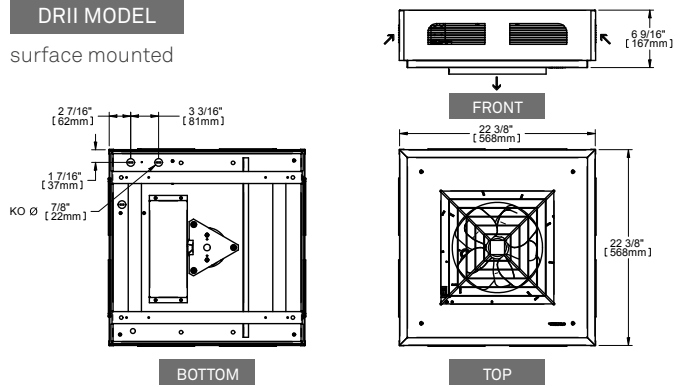
A UNIQUE SOURCE OF HEAT THAT OFFERS PERFORMANCE, STYLE, COMFORT AND ECONOMY! Ideal for garages, commercial entrances, factories and warehouses

TECHNICAL DRAWINGS

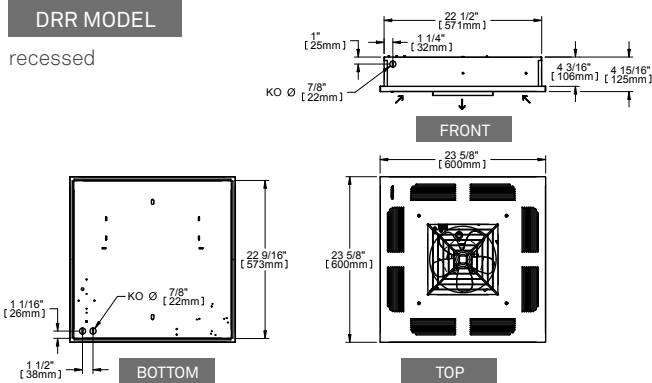
DRI MODEL surface mounted



DRII MODEL surface mounted



DRR MODEL recessed



ACCESSORIES

PRODUCT	DESCRIPTION	PRICE
DRT1	built-in tamper-proof single pole thermostat (DRR, DRI or DRII models)	52.00
DRITBA1*	T-bar adapter (DRI models)	105.00
DRIITBA1*	T-bar adapter (DRII models)	110.00
DRC24RX*	relay kit without transformer 24 V (DRII or DRR models)	126.00
DRIC24RX*	relay kit without transformer 24 V (DRI models)	126.00

* Add W for white or SW for soft white.

* Factory installed

THROW DISTANCE AND HEAT RISE

MODEL	UNITS		THROW DISTANCE		HEAT RISE	
	KW		M	FT	°C	°F
DRI	2		7	23	22	40
DRI	3		7	23	25	45
DRI	4		7	23	33	60
DRI	5		7	23	40	72
DRII	2		7	23	21	38
DRII	3		7	23	31	56
DRII	4		7	23	41	74
DRII	5		7	23	44	79
DRII	7.5		9.1	30	42	76
DRII	10		9.1	30	59	106
DRR	2		7	23	16	29
DRR	3		7	23	18	32
DRR	4		7	23	30	53
DRR	5		7	23	38	68