



THE CLASSIC FAN HEATER

You won't find anything better than this efficient, durable and low noise fan heater. The Pulsair is extremely popular for many reasons. First, it can be recessed or surface mounted with a surface adapter (optional). It can also be mounted vertically or horizontally so that air can flow either up and down or right and left. Finally, the slim-line Pulsair can be recessed into a wall thickness of 2 in. to 3 in. While it's a winning heating solution for hallways or bathrooms, it can also be installed anywhere in the house, such as the office, or in commercial spaces. Its nichrome element provides instant heat. Available from 500 W to 2000 W, and from 120 V to 347 V, the Pulsair is recognized and recommended by those in the know.

■ VERY QUIET FAN HEATER

■ THE MOST RESISTANT GRILLE ON THE MARKET

■ INSTANT HEAT NICHROME ELEMENT

■ MULTIPLE INSTALLATION OPTIONS RECESSED, SURFACE MOUNTED, HORIZONTAL OR VERTICAL

■ ADAPTS TO MULTIPLE MARKETS AVAILABLE IN: 120 V, 208 V, 240 V AND 347 V

COLOURS

- **standard:** white
- **Orora (optional):** refer to stelpro.com/orora/

FINISH

- epoxy-polyester powdercoat

MANUFACTURING

- 20-gauge steel cabinet and 18-gauge steel grille
- quiet fan – 40 CFM (500 W to 1000 W models) – 75 CFM (1250 W to 2000 W models)
- thermal protection with automatic reset

ELEMENT

- nichrome element produces instant heat

CONTROL

- built-in thermostat (optional), 3 control knobs included (white, soft white and black)
- wall thermostat (not included) – the use of an electronic thermostat is strongly recommended

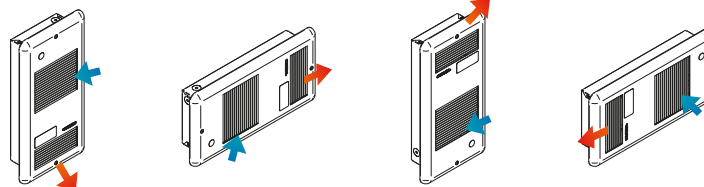
INSTALLATION

- wall mounted
- recessed (wall must have a depth of 2 3/8 in. minimum)
- surface mounted with surface adapter (optional)
- four installation positions

WARRANTY

- five years

FOUR INSTALLATION OPTIONS



IDEAL FOR:

hallway, bathroom, locker room, office

TECHNICAL SPECIFICATIONS

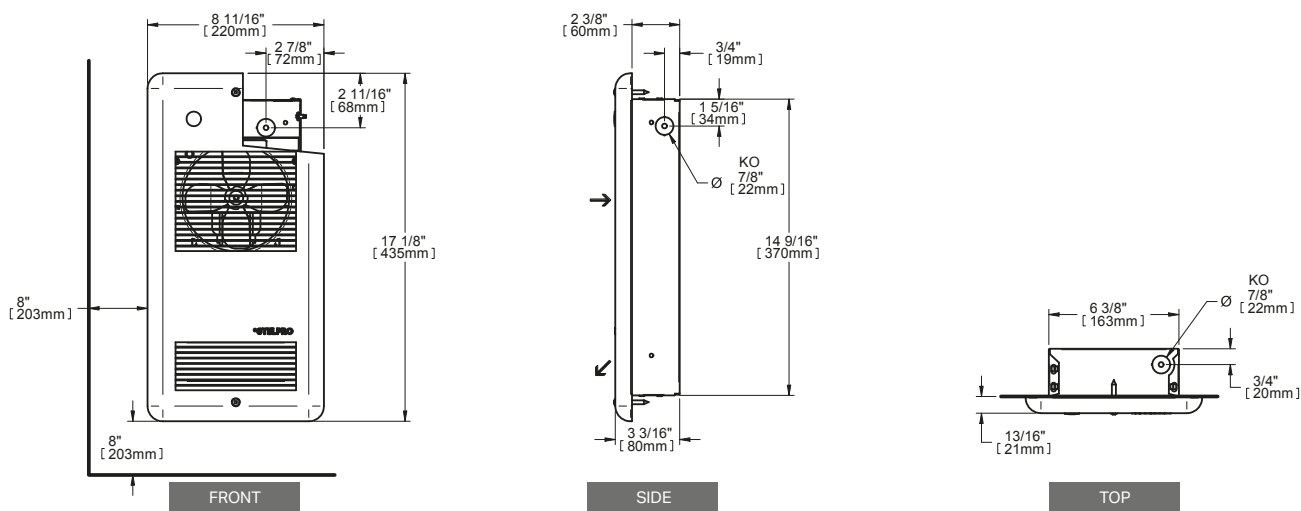
WITHOUT CONTROL	BUILT-IN THERMOSTAT	24 V CONTROL	POWER	VOLTAGE	FLOW	THROW DISTANCE	HEAT RISE	WEIGHT
CODE	CODE	CODE	WATTS	VOLTS	CFM	M FT.	°C °F	KG LB
RWF0501W	---	---	500	120	40	2 6'6"	22 39	2.7 6
RWF0508W	---	---	500	208	40	2 6'6"	22 39	2.7 6
RWF0502W	---	---	500/375	240/208	40	2 6'6"	22 39	2.7 6
RWF0503W	RWF0503TW	RWF0503C24W	500	347	40	2 6'6"	22 39	2.7 6
RWF0751W	---	---	750	120	40	2 6'6"	33 59	2.7 6
RWF0758W	---	---	750	208	40	2 6'6"	33 59	2.7 6
RWF0752W	---	---	750/563	240/208	40	2 6'6"	33 59	2.7 6
RWF0753W	RWF0753TW	RWF0753C24W	750	347	40	2 6'6"	33 59	2.7 6
RWF1001W	---	---	1000	120	40	2 6'6"	44 79	2.7 6
RWF1008W	---	---	1000	208	40	2 6'6"	44 79	2.7 6
RWF1002W	---	---	1000/750	240/208	40	2 6'6"	44 79	2.7 6
RWF1003W	RWF1003TW	RWF1003C24W	1000	347	40	2 6'6"	44 79	2.7 6
RWF1251W	---	---	1250	120	75	2.1 6'10"	29 53	2.7 6
RWF1258W	---	---	1250	208	75	2.1 6'10"	29 53	2.7 6
RWF1252W	---	---	1250/938	240/208	75	2.1 6'10"	29 53	2.7 6
RWF1253W	RWF1253TW	RWF1253C24W	1250	347	75	2.1 6'10"	29 53	2.7 6
RWF1501W	---	---	1500	120	75	2.1 6'10"	35 63	2.7 6
RWF1508W	---	---	1500	208	75	2.1 6'10"	35 63	2.7 6
RWF1502W	---	---	1500/1125	240/208	75	2.1 6'10"	35 63	2.7 6
RWF1503W	RWF1503TW	RWF1503C24W	1500	347	75	2.1 6'10"	35 63	2.7 6
---	---	---	2000	120	75	2.1 6'10"	47 89	2.7 6
RWF2002W	---	---	2000/1500	240/208	75	2.1 6'10"	47 89	2.7 6
RWF2008W	---	---	2000	208	75	2.1 6'10"	47 89	2.7 6
RWF2003W	RWF2003TW	RWF2003C24W	2000	347	75	2.1 6'10"	47 89	2.7 6

Consult the optional colours chart or contact your Stelpro representative for all other colours.
Models also available in 277 V. --- not available

ACCESSORIES

PRODUCT	DESCRIPTION
RWFT1W	built-in single pole thermostat [120 V-347 V]
RWFT2	built-in double pole thermostat [120 V-347 V]
RWFSAW	surface adapter

TECHNICAL DRAWINGS



Stelpro reserves the right to modify at any time the description, manufacturing, or price of its products. Additionally, Stelpro may apply restocking fees or refuse a refund based on one or more of the following criteria: optional color, custom product, assembly with low-demand options. For the latest product information and prices regarding the products, please visit the website www.stelpro.com.