

SHU – OXFORD™

COMMERCIAL AND INDUSTRIAL UNIT HEATER

OXFORD™
SERIES | SÉRIE



THE POWER OF DISPERSION

Stelpro designs heaters for all circumstances. Take the SHU, the large volume heater that is distinguished by its appealing appearance, its manufacturing and its sturdy composition. It is usually installed in large garages, but it is not uncommon for it to be seen in warehouses or any other kind of commercial construction site requiring a generous volume of heat. The SHU works with great ease and has an incredible power scale from 2 kW to 60 kW. What could be better!

- **INSTANT HEAT**
- **PERMANENTLY LUBRICATED MOTOR**
- **WIDE RANGE OF POWER:
2 KW TO 60 KW**
- **WALL OR CEILING INSTALLATION
BRACKET INCLUDED**

COLOUR

- charcoal

FINISH

- epoxy-polyester powdercoat

MANUFACTURING

- heavy-duty, 18-gauge steel cabinet
- adjustable louvers and protective screen
- thermal protection with automatic reset

MOTOR

- permanently enclosed lubricated ball bearing motor for long-lasting operation

ELEMENT

- nichrome element produces instant heat

CONTROL

- connection of multiple units to the same thermostat is possible with a relay kit without transformer (optional) and an external transformer (not provided)

INSTALLATION

- wall or ceiling mounted with universal mounting bracket (included)
- minimum distance from adjacent walls:
6 in. (2 kW to 30 kW units),
12 in. (40 kW to 60 kW units)
- mounting heights:
2 to 8 ft. (2 kW to 10 kW units),
2 to 10 ft. (15 kW to 30 kW units),
15 to 20 ft. (40 kW to 60 kW units)

WARRANTY

- three years

IDEAL FOR:

warehouse, factory, indoor parking garage,
large industrial and commercial spaces, crawl space

°STELPRO

Stelpro reserves the right to modify at any time the description, manufacturing, or price of its products. Additionally, Stelpro may apply restocking fees or refuse a refund based on one or more of the following criteria: optional color, custom product, assembly with low-demand options. For the latest product information and prices regarding the products, please visit the website www.stelpro.com.

TECHNICAL SPECIFICATIONS

WITHOUT CONTROL	BUILT-IN THERMOSTAT	240 V CONTROL	24 V CONTROL	VOLTAGE	PHASE	POWER	FLOW
CODE	CODE	CODE	CODE	VOLTS	NB.	KW	CFM
SHU0281CHAR	SHU0281TCHAR	SHU0281CCHAR	SHU0281C24CHAR	208	1	2	250
---	SHU0283CTCHAR*	SHU0283CCHAR*	SHU0283C24CHAR*	208	1	2	250
SHU0221CHAR	SHU0221TCHAR	SHU0221CCHAR	SHU0221C24CHAR	240/208	1	2/1.5	250
---	SHU0231CTCHAR	SHU0231CCHAR	SHU0231C24CHAR	347	1	2	250
---	SHU0261CTCHAR	SHU0261CCHAR	SHU0261C24CHAR	600	1	2	250
---	SHU0263CTCHAR	SHU0263CCHAR	SHU0263C24CHAR	600	3	2	250
SHU0381CHAR	SHU0381TCHAR	SHU0381CCHAR	SHU0381C24CHAR	208	1	3	250
---	SHU0383CTCHAR*	SHU0383CCHAR*	SHU0383C24CHAR*	208	1	3	250
SHU0321CHAR	SHU0321TCHAR	SHU0321CCHAR	SHU0321C24CHAR	240/208	1	3/2.3	250
---	SHU0331CTCHAR	SHU0331CCHAR	SHU0331C24CHAR	347	1	3	250
---	SHU0361CTCHAR	SHU0361CCHAR	SHU0361C24CHAR	600	1	3	250
---	SHU0363CTCHAR	SHU0363CCHAR	SHU0363C24CHAR	600	3	3	250
SHU0481CHAR	SHU0481TCHAR	SHU0481CCHAR	SHU0481C24CHAR	208	1	4	250
---	SHU0483CTCHAR*	SHU0483CCHAR*	SHU0483C24CHAR*	208	1	4	250
SHU0421CHAR	SHU0421TCHAR	SHU0421CCHAR	SHU0421C24CHAR	240/208	1	4/3	250
---	SHU0431CTCHAR	SHU0431CCHAR	SHU0431C24CHAR	347	1	4	250
---	SHU0461CTCHAR	SHU0461CCHAR	SHU0461C24CHAR	600	1	4	250
---	SHU0463CTCHAR	SHU0463CCHAR	SHU0463C24CHAR	600	3	4	250
---	SHU0581TCHAR	SHU0581CCHAR	SHU0581C24CHAR	208	1	5	450
---	SHU0583CTCHAR*	SHU0583CCHAR*	SHU0583C24CHAR*	208	1	5	450
SHU0521CHAR	SHU0521TCHAR	SHU0521CCHAR	SHU0521C24CHAR	240/208	1	5/3.8	450
---	SHU0531CTCHAR	SHU0531CCHAR	SHU0531C24CHAR	347	1	5	450
---	SHU0561CTCHAR	SHU0561CCHAR	SHU0561C24CHAR	600	1	5	450
---	SHU0563CTCHAR	SHU0563CCHAR	SHU0563C24CHAR	600	3	5	450
---	SHU0781CTCHAR	SHU0781CCHAR	SHU0781C24CHAR	208	1	7.5	700
---	SHU0783CTCHAR*	SHU0783CCHAR*	SHU0783C24CHAR*	208	1	7.5	700
---	SHU0721CTCHAR	SHU0721CCHAR	SHU0721C24CHAR	240/208	1	7.5/5.6	700
---	SHU0731CTCHAR	SHU0731CCHAR	SHU0731C24CHAR	347	1	7.5	700
---	SHU0761CTCHAR	SHU0761CCHAR	SHU0761C24CHAR	600	1	7.5	700
---	SHU0763CTCHAR	SHU0763CCHAR	SHU0763C24CHAR	600	3	7.5	700
---	SHU1081CTCHAR	SHU1081CCHAR	SHU1081C24CHAR	208	1	10	700
---	SHU1083CTCHAR	SHU1083CCHAR	SHU1083C24CHAR	208	1	10	700
---	SHU1021CTCHAR	SHU1021CCHAR	SHU1021C24CHAR	240/208	1	10/7.5	700
---	SHU1031CTCHAR	SHU1031CCHAR	SHU1031C24CHAR	347	1	10	700
---	SHU1061CTCHAR	SHU1061CCHAR	SHU1061C24CHAR	600	1	10	700
---	SHU1063CTCHAR	SHU1063CCHAR	SHU1063C24CHAR	600	3	10	700
---	SHU1581CTCHAR	SHU1581CCHAR	SHU1581C24CHAR	208	1	15	1300
---	SHU1583CTCHAR*	SHU1583CCHAR*	SHU1583C24CHAR*	208	1	15	1300
---	SHU1521CTCHAR	SHU1521CCHAR	SHU1521C24CHAR	240	1	15	1300
---	SHU1531CTCHAR	SHU1531CCHAR	SHU1531C24CHAR	347	1	15	1300
---	SHU1561CTCHAR	SHU1561CCHAR	SHU1561C24CHAR	600	1	15	1300
---	SHU1563CTCHAR	SHU1563CCHAR	SHU1563C24CHAR	600	3	15	1300
---	SHU2081CTCHAR	SHU2081CCHAR	SHU2081C24CHAR	208	1	20	1300
---	SHU2083CTCHAR	SHU2083CCHAR	SHU2083C24CHAR	208	3	20	1300
---	SHU2021CTCHAR	SHU2021CCHAR	SHU2021C24CHAR	240	1	20	1300
---	SHU2031CTCHAR	SHU2031CCHAR	SHU2031C24CHAR	347	1	20	1300
---	SHU2063CTCHAR	SHU2063CCHAR	SHU2063C24CHAR	600	3	20	1300
---	SHU2583CTCHAR	SHU2583CCHAR	SHU2583C24CHAR	208	3	25	1300
---	SHU2563CTCHAR	SHU2563CCHAR	SHU2563C24CHAR	600	3	25	1300
---	SHU3083CTCHAR	SHU3083CCHAR	SHU3083C24CHAR	208	3	30	1400
---	SHU3063CTCHAR	SHU3063CCHAR	SHU3063C24CHAR	600	3	30	1400
---	SHU4063CTCHAR	SHU4063CCHAR	SHU4063C24CHAR	600	3	40	2100
---	SHU5063CTCHAR	SHU5063CCHAR	SHU5063C24CHAR	600	3	50	2100
---	SHU6063CTCHAR	SHU6063CCHAR	SHU6063C24CHAR	600	3	60	2100

* Three-phase unit that can be field-converted to a single phase unit.
 Models also available in 277 V and 480 V.
 --- not available

ACCESSORIES

PRODUCT	DESCRIPTION
SHUT1	built-in single pole thermostat (capillary)
SHUT2	built-in double pole thermostat (capillary)
SHUFS*	fan switch
SHUDIS*	disconnect switch [80 A]
SHUC24RX*	relay kit without transfo. 24 V (208-240 V except SHU0521/SHU0581)
SHUC24RX-5*	relay kit without transfo. 24 V (277-600 V SHU0521/SHU0581 included)
SHUFS-RCV*	remote control circuit for ventilation mode 240 V

* Factory installed

THROW DISTANCE AND HEAT RISE

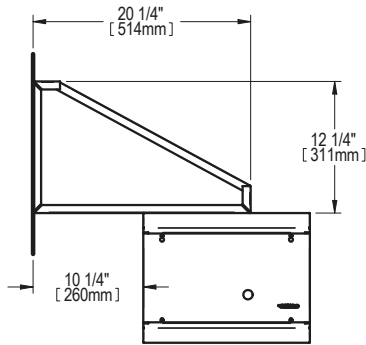
UNITS	THROW DISTANCE		HEAT RISE	
	M	FT	°C	°F
2	8.5	28	14	25
3	8.5	28	22	38
4	8.5	28	28	51
5	9.4	31	20	35
7.5	9.4	31	19	34
10	9.4	31	25	45
15	10.7	35	20	36
20	11.3	37	27	49
25	10.2	33'6"	34	61
30	10.7	35	38	68
40	10.7	35	33	60
50	10.7	35	42	75
60	10.7	35	50	90



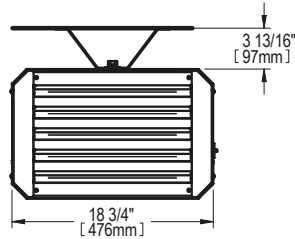
TECHNICAL DRAWINGS

2 KW TO 10 KW UNITS

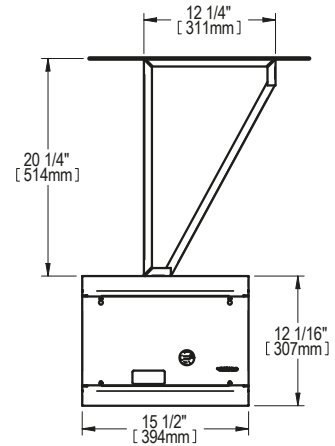
weight: approx. 40 lb (18 kg)



LEFT SIDE



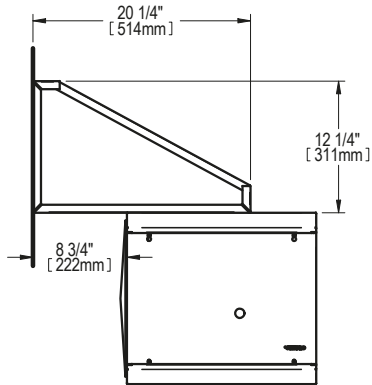
FRONT



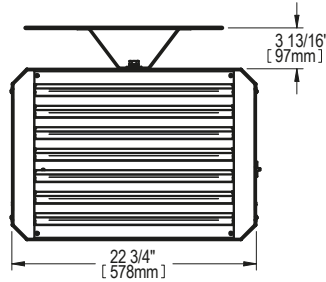
RIGHT SIDE

15 KW TO 30 KW UNITS

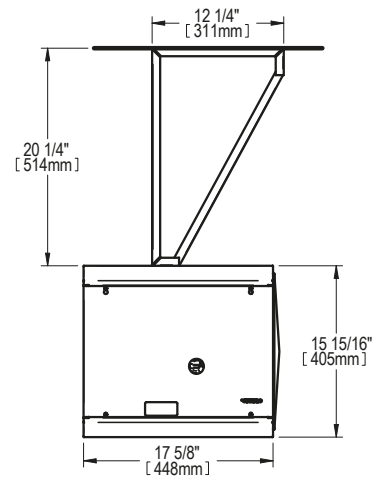
weight: approx. 67 lb (30 kg)



LEFT SIDE



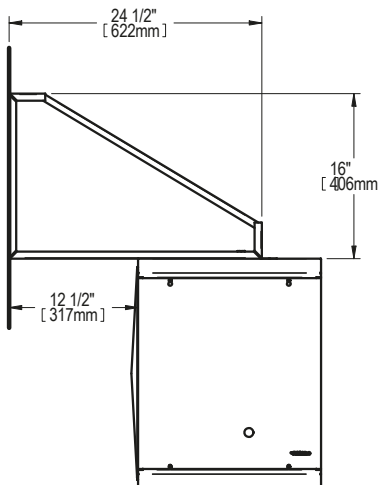
FRONT



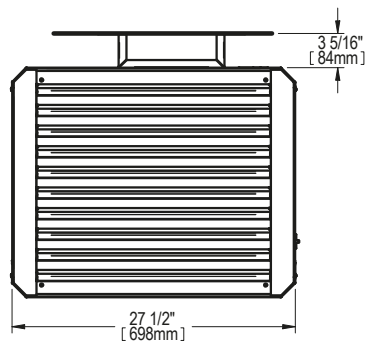
RIGHT SIDE

40 KW TO 60 KW UNITS

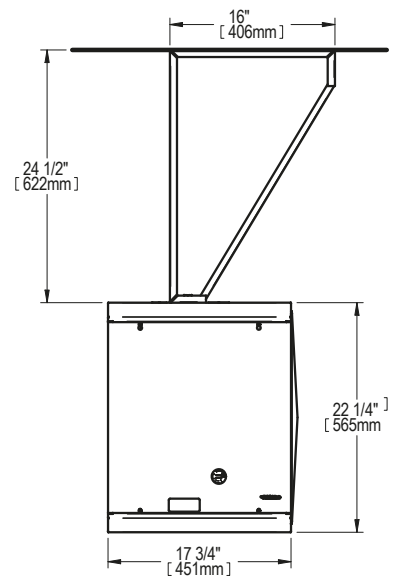
weight: approx. 100 lb (45 kg)



LEFT SIDE



FRONT



RIGHT SIDE