

WFA – ALUX™

ALUMINUM WALL FAN HEATER



WHEN DURABILITY AND PERFORMANCE MEET DESIGN

In need of a solid, stylish heater to warm your clients in the lobby or entrance of your business? The Alux series wall fan heater (WFA) with its remarkable rush of warm air is the solution. It has an aluminum extrusion grille that is striking, modern and unbelievably resistant. Imagine no more dents or rust! The WFA is suitable for recessed installation or can be surface mounted on a wall and is available in a large array of wattages to meet all your needs.

- **EXTRUDED ALUMINUM PROFILE WITH A UNIQUE, LUXURY DESIGN**
- **EXTREMELY SOLID, IMPACT AND RUST RESISTANT**
- **WIDE RANGE OF MODELS AND HEATING CAPACITIES INCLUDING A SINGLE 4800 W MODEL**
- **SIGNATURE NICHROME ELEMENT OFFERS SUPERIOR PERFORMANCE AND IMMEDIATE HEAT**

COLOURS

- **standard:** white
- **Orora (optional):** refer to www.stelpro.com/en-CA/Orora

FINISH

- epoxy-polyester powdercoat

MANUFACTURING

- 22-gauge steel cabinet
- extruded aluminum grille with a thickness equivalent to 13 gauge
- top air intake with bottom air discharge
- quiet helicoidal fan:
 - single unit 1 x 160 CFM
 - double unit 2 x 160 CFM
 - triple unit 3 x 160 CFM
- closed and permanently lubricated motor
- thermal protection with automatic reset

ELEMENT

- high-quality nichrome element producing instant heat

CONTROL

- connection of multiple units to the same thermostat is possible with a relay kit without transformer (optional) and an external transformer (not provided)
- built-in thermostat (optional), 3 control knobs included (white, soft white and black) for standard installation, without knob for tamper-proof installation

INSTALLATION

- wall mounted
- recessed or surface mounted with surface adapter (optional)

WARRANTY

- three years

IDEAL FOR:

lobby, entrance, corridor, factory, warehouse, stairwell



Stelpro reserves the right to modify at any time the description, manufacturing, or price of its products. Additionally, Stelpro may apply restocking fees or refuse a refund based on one or more of the following criteria: optional color, custom product, assembly with low-demand options. For the latest product information and prices regarding the products, please visit the website www.stelpro.com.



TECHNICAL SPECIFICATIONS

WITHOUT CONTROL	BUILT-IN THERMOSTAT	240 V CONTROL	24 V CONTROL	POWER	VOLTAGE	WEIGHT		MODEL
CODE	CODE	CODE	CODE	WATTS	VOLTS	KG	LB	UNIT
WFA1501W	WFA1501TW	---	WFA1501C24W	1500	120	9.1	20	SINGLE
WFA1508W	WFA1508TW	WFA1508CW	WFA1508C24W	1500	208	9.1	20	SINGLE
WFA1502W	WFA1502TW	WFA1502CW	WFA1502C24W	1500/1125	240/208	9.1	20	SINGLE
WFA1503W	WFA1503TW	WFA1503CW	WFA1503C24W	1500	347	9.1	20	SINGLE
---	WFA1506TW	WFA1506CW	WFA1506C24W	1500	600	12	27	SINGLE
WFA2008W	WFA2008TW	WFA2008CW	WFA2008C24W	2000	208	10.4	23	SINGLE
WFA2002W	WFA2002TW	WFA2002CW	WFA2002C24W	2000/1500	240/208	10.4	23	SINGLE
WFA2003W	WFA2003TW	WFA2003CW	WFA2003C24W	2000	347	10.4	23	SINGLE
---	WFA2006TW	WFA2006CW	WFA2006C24W	2000	600	12	27	SINGLE
WFA3008W	WFA3008TW	WFA3008CW	WFA3008C24W	3000	208	10.4	23	SINGLE
WFA3002W	WFA3002TW	WFA3002CW	WFA3002C24W	3000/2250	240/208	10.4	23	SINGLE
WFA3003W	WFA3003TW	WFA3003CW	WFA3003C24W	3000	347	10.4	23	SINGLE
---	WFA3006TW	WFA3006CW	WFA3006C24W	3000	600	12	27	SINGLE
WFA4008W	WFA4008TW	WFA4008CW	WFA4008C24W	4000	208	10.4	23	SINGLE
WFA4002W	WFA4002TW	WFA4002CW	WFA4002C24W	4000/3000	240/208	10.4	23	SINGLE
WFA4003W	WFA4003TW	WFA4003CW	WFA4003C24W	4000	347	10.4	23	SINGLE
---	WFA4006TW	WFA4006CW	WFA4006C24W	4000	600	12	27	SINGLE
WFA4808W	WFA4808TW	WFA4808CW	WFA4808C24W	4800	208	10.4	23	SINGLE
WFA4802W	WFA4802TW	WFA4802CW	WFA4802C24W	4800/3600	240/208	10.4	23	SINGLE
WFA4803W	WFA4803TW	WFA4803CW	WFA4803C24W	4800	347	10.4	23	SINGLE
---	WFA4806TW	WFA4806CW	WFA4806C24W	4800	600	12	27	SINGLE
---	WFA6008CTW	WFA6008CW	WFA6008C24W	6000	208	20	44	DOUBLE
---	WFA6002TW	WFA6002CW	WFA6002C24W	6000/4500	240/208	20	44	DOUBLE
---	WFA6003TW	WFA6003CW	WFA6003C24W	6000	347	20	44	DOUBLE
---	WFA6006TW	WFA6006CW	WFA6006C24W	6000	600	22	48	DOUBLE
---	WFA60083CTW*	WFA60083CW*	WFA60083C24W*	6000	208	36	80	TRIPLE
---	WFA60063CTW*	WFA60063CW*	WFA60063C24W*	6000	600	36	80	TRIPLE
---	WFA8008CTW	WFA8008CW	WFA8008C24W	8000	208	20	44	DOUBLE
---	WFA8002CTW	WFA8002CW	WFA8002C24W	8000/6000	240/208	20	44	DOUBLE
---	WFA8003CTW	WFA8003CW	WFA8003C24W	8000	347	20	44	DOUBLE
---	WFA8006CTW	WFA8006CW	WFA8006C24W	8000	600	22	48	DOUBLE
---	WFA90083CTW*	WFA90083CW*	WFA90083C24W*	9000	208	36	80	TRIPLE
---	WFA90063CTW*	WFA90063CW*	WFA90063C24W*	9000	600	36	80	TRIPLE
---	WFA12008CTW	WFA12008CW	WFA12008C24W	12 000	208	36	80	TRIPLE
---	WFA12002CTW	WFA12002CW	WFA12002C24W	12 000/9000	240/208	36	80	TRIPLE
---	WFA12003CTW	WFA12003CW	WFA12003C24W	12 000	347	36	80	TRIPLE
---	WFA12006CTW	WFA12006CW	WFA12006C24W	12 000	600	36	80	TRIPLE
---	WFA120083CTW*	WFA120083CW*	WFA120083C24W*	12 000	208	36	80	TRIPLE
---	WFA120063CTW*	WFA120063CW*	WFA120063C24W*	12 000	600	36	80	TRIPLE

Consult the optional colours chart or contact your Stelpro representative for all other colours.

* Three-phase unit

Models also available in 277 V and 480 V. --- not available

ACCESSORIES

PRODUCT	DESCRIPTION
WFAT1	built-in single pole thermostat [120 V-600 V] (standard or tamper-proof)
WFAT2	built-in double pole thermostat [120 V-600 V] (standard or tamper-proof)
WFASA1W	surface adapter (single unit)
WFASA2W	surface adapter (double unit)
WFASA3W	surface adapter (triple unit)
WFADIS-30*	disconnect switch kit 600 V/30 A, 2 poles
WFADIS-40*	disconnect switch kit 600 V/40 A, 2 poles/3 poles
WFADIS-60*	disconnect switch kit 600 V/60 A, 2 poles/3 poles
WFC24RX*	relay kit without transformer 24 V

* Factory installation

Stelpro reserves the right to modify at any time the description, manufacturing, or price of its products. Additionally, Stelpro may apply restocking fees or refuse a refund based on one or more of the following criteria: optional color, custom product, assembly with low-demand options. For the latest product information and prices regarding the products, please visit the website www.stelpro.com.



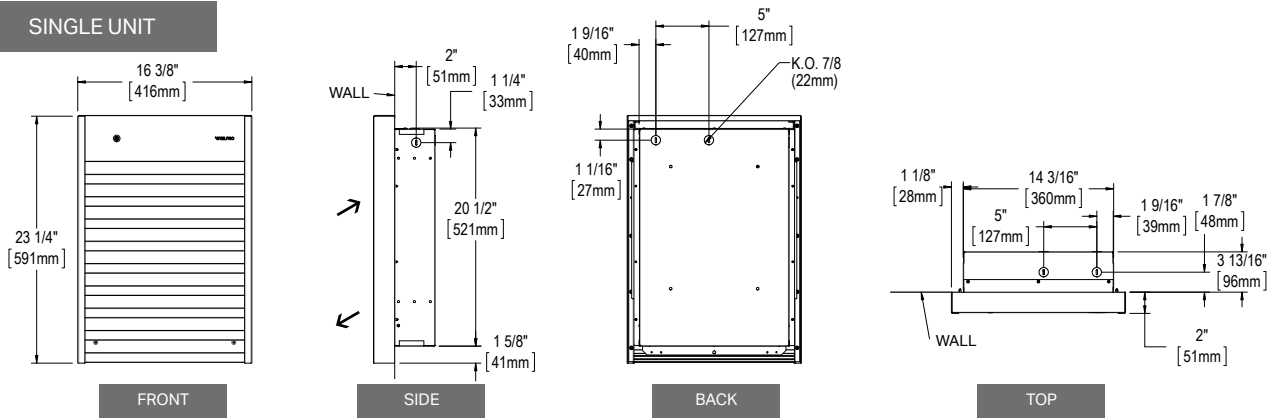
THROW DISTANCE AND HEAT RISE

UNITS	THROW DISTANCE		HEAT RISE	
	M	FT	°C	°F
1.5	4.1	13'7"	17	30
2	4.1	13'7"	22	40
3	4.1	13'7"	33	59
4	4.1	13'7"	44	79
4.8	4.1	13'7"	53	95
6	4.1	13'7"	33	59
8	4.1	13'7"	44	79
9	4.1	13'7"	33	59
12	4.1	13'7"	44	79

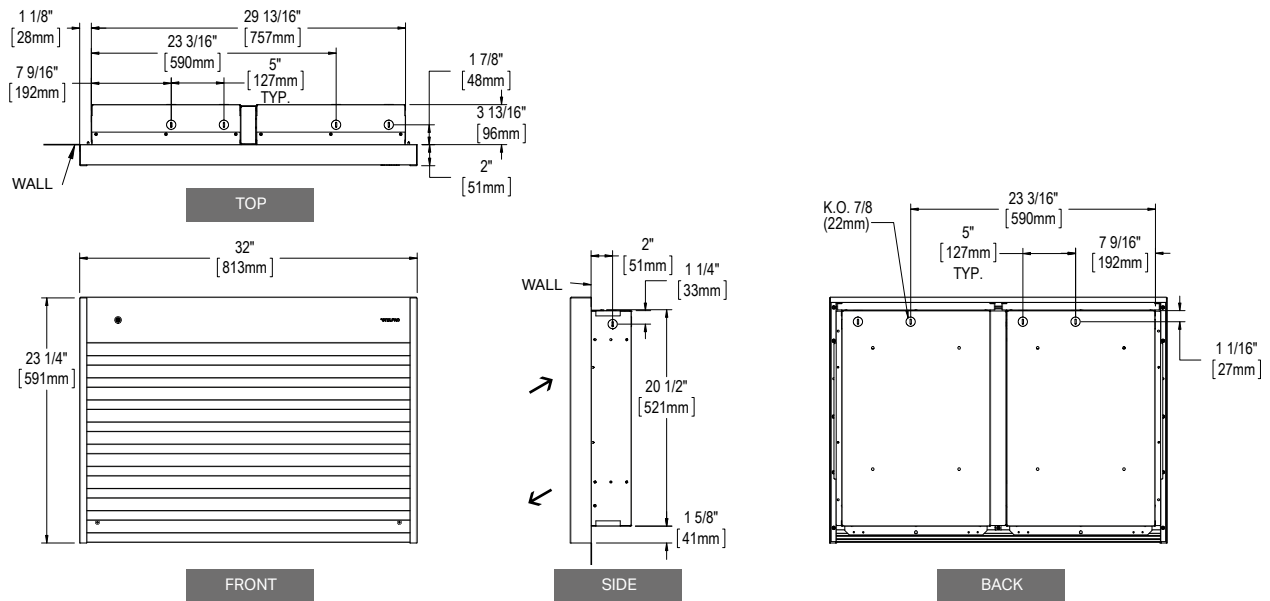
Stelpro reserves the right to modify at any time the description, manufacturing, or price of its products. Additionally, Stelpro may apply restocking fees or refuse a refund based on one or more of the following criteria: optional color, custom product, assembly with low-demand options. For the latest product information and prices regarding the products, please visit the website www.stelpro.com.

TECHNICAL DRAWINGS

SINGLE UNIT



DOUBLE UNIT



TRIPLE UNIT

