

Viega ProPress® Two Piece Adapter Flange Model 2959.5ZL and 0959.5XL

ZERO LEAD™

Description

The two piece adapter flange is available in sizes, 1", 1¼", 1½", 2", 2½", 3" and 4". They are manufactured to ASME B16.24 Cast Copper Alloy Pipe Flanges And Flanged Fittings and ANSI/ASME 16.5 Pipe Flanges and Flanged Fittings standards. Powder coating isolates the dissimilar metals, preventing electrolysis. Flanges are CLASS 150. It is a two-piece design multi-purpose adapter flange for use in general utility, potable water, chilled and hydronic heating water, vacuum, fire sprinkler, and compressed air service.

Features

- Powder coated steel flange plate
- EPDM sealing element
- Plastic snap ring
- 1" - 2" Zero Lead bronze fitting
- 2½" - 4" copper fitting
- 2½" - 4" stainless steel grip ring

Ratings

- Temperature range: 0°F - 250°F
- Max. operating pressure: 200 psi
- Max. test pressure: 600 psi

Approvals

- NSF-61G
- IAPMO PS117
- UL 213
- FM Class 1920
- ICC-ES PMG 1037
- CSA MSE-13
- ABS

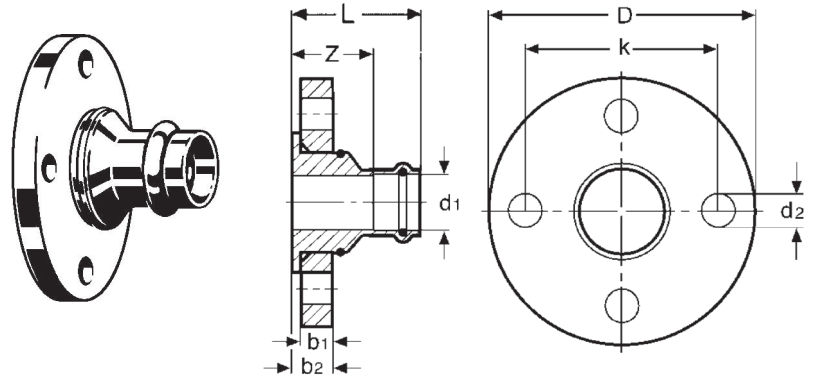
Available Accessories



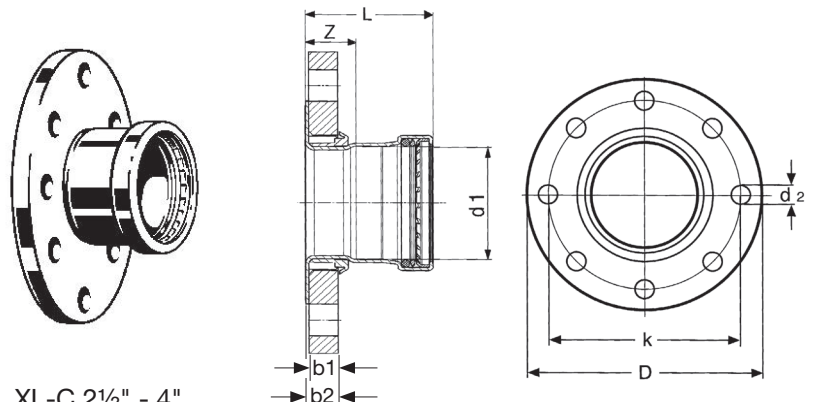
Nut and Bolt Sets

Part No.	Size
19748	1", 1¼", 1½"
19758	2", 2½", 3"
19763	4"

*Bolt Pattern



Sizes 1", 1¼", 1½", and 2"



XL-C 2½" - 4"

Part No.	d1 (Size)	Z (in)	L (in)	b1 (in)	b2 (in)	D (in)	k (in)	d2 (in)	BP*
79680	1"	1.85	2.76	0.63	0.83	4.33	3.11	0.63	4
79685	1¼"	1.73	2.76	0.63	0.83	4.53	3.50	0.63	4
79690	1½"	1.65	3.07	0.63	0.83	4.92	3.86	0.63	4
79695	2"	2.09	3.66	0.63	0.83	5.91	4.76	0.75	4
20853	2½"	1.09	2.79	0.63	0.70	7.09	5.51	0.75	4
20858	3"	1.20	3.17	0.71	0.79	7.48	5.98	0.75	4
20863	4"	1.24	3.60	0.71	0.81	9.06	7.52	0.75	8

*Zero Lead identifies Viega® products meeting the lead free requirements of NSF 61-G through testing under NSF/ANSI 372 (0.25% or less maximum weighted average lead content).

This document subject to updates. For the most current Viega technical literature please visit www.viega.us.
Click Services -> Click Electronic Literature Downloads -> Select Product Line -> Select Desired Document

Viega LLC, 100 N. Broadway, 6th Floor • Wichita, KS 67202 • Ph: 800-976-9819 • Fax: 316-425-7618