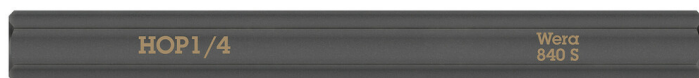


840 S Hex-Plus bits for impact screwdrivers, 1/4" x 70 mm

Kraftform Kompakt 900 impact screwdriver



EAN:	4013288222497	Size:	70x7x7 mm
Part number:	05018157001	Weight:	17 g
Article number:	840 S Hex-Plus	Country of origin:	CZ
		Customs tariff number:	82079030

- For socket head screws
- Extra tough for long durability
- Hex-Plus allows socket head screws to live longer
- 1/4" hexagon drive
- For use with Wera impact screwdriver 921

Extra tough bit for hexagonal socket screws. This prevents the bit from breaking prematurely and extends its service life. Suitable for use with Wera impact screwdrivers 921. With 1/4" hexagonal drive.

Web link

https://products.wera.de/en/kraftform_kompakt_kraftform_kompakt_900_impact_screwdriver_840_s_hex-plus.html

Wera - 840 S Hex-Plus
05018157001 - 4013288222497

Wera Werkzeuge GmbH
Korzter Straße 21-25
D-42349 Wuppertal
Tel: +49 (0)2 02 / 40 45-0
E-Mail: info@wera.de

Kraftform Kompakt 900 impact screwdriver

For use with 921 impact screwdriver

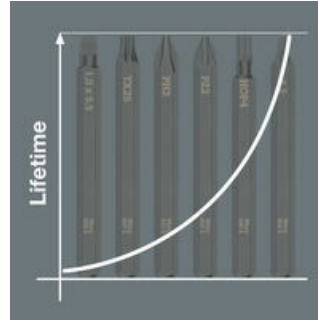


The 921 impact screwdriver combines the advantages of manual impact wrenches, compact tools and screwdrivers with pound-thru blade.



The Wera impact screwdriver bits are particularly suitable for use with the Wera 921 impact screwdriver.

Long life span







The extra tough bits stand out with their particularly long service life. Premature breakage is prevented.

Hex-Plus



Hexagon socket screws are a problem, because the contact surfaces that transfer the force of the tool to the screw are very narrow. The consequence: the head of the screw can be damaged, usually rounding out the recess. Hex-Plus tools have larger contact surfaces to prevent this, driving from the flats of the recess, rather than the corners. Good to know: Hex-Plus tools fit into every standard hexagon socket screw!

Further versions in this product family:

	 mm	 inch	 mm	 inch
05018150001	3.0	-	70	2 3/4"
05018151001	4.0	-	70	2 3/4"
05018152001	5.0	-	70	2 3/4"
05018153001	6.0	-	70	2 3/4"
05018154001	-	1/8"	70	2 3/4"
05018155001	-	5/32"	70	2 3/4"
05018156001	-	3/16"	70	2 3/4"
05018157001	-	1/4"	70	2 3/4"

Web link

https://products.wera.de/en/kraftform_kompakt_kraftform_kompakt_900_impact_screwdriver_840_s_hex-plus.html

Wera - 840 S Hex-Plus
05018157001 - 4013288222497

Wera Werkzeuge GmbH
Korzter Straße 21-25
D-42349 Wuppertal
Tel: +49 (0)2 02 / 40 45-0
E-Mail: info@wera.de