



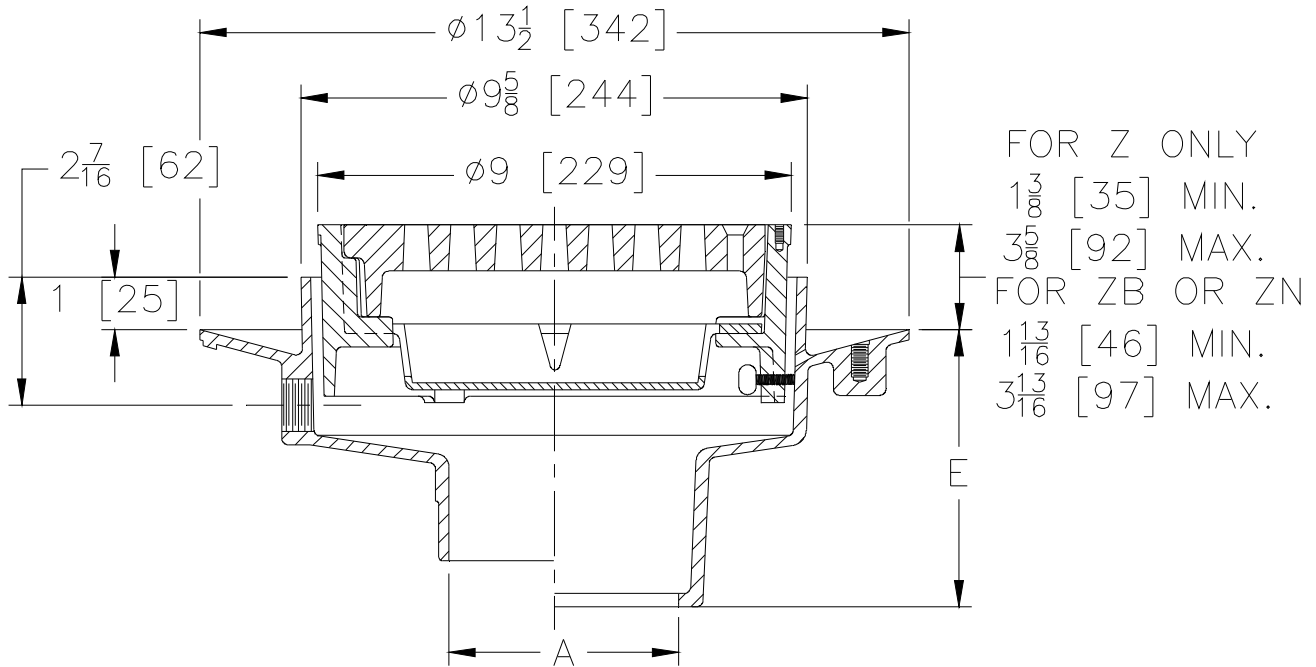
Z520-P-Y

SPECIFICATION SHEET

Ø9 [229] ADJUSTABLE HEAVY-DUTY DRAIN W/ TRAP PRIMER CONN. & SEDIMENT BUCKET

TAG _____

Dimensional Data (inches and [mm]) are Subject to Manufacturing Tolerances and Change Without Notice



A Pipe Size In.	Approx. Wt. Lbs. [kg]	Grate Open Area Sq. In. [cm ²]
2-3-4 [51-76-102]	39 [18]	18 [116]
6 [152]	44 [20]	

ENGINEERING SPECIFICATION: ZURN Z520-P-Y
 9 [229] Diameter top drain, Dura-Coated cast iron body with bottom outlet and 1/2 [13] trap primer connection, seepage pan and adjustable extension frame with heavy-duty cast iron deep flange slotted grate along with sediment bucket.

OPTIONS (Check/specify appropriate options)

PIPE SIZE

- 2, 3, 4 [51, 76, 102]
- 2, 3, 4 [51, 76, 102]
- 2, 3, 4 [51, 76, 102]
- 2, 3, 4, 6 [51, 76, 102, 152]
- 2, 3, 4 [51, 76, 102]

(Specify size/type) **OUTLET**

- _____ IC Inside Caulk
- _____ IG Inside Caulk w/Sealtrol Gskt.
- _____ IP Threaded
- _____ NH No-Hub
- _____ NL Neo-Loc

'E' DIM.

- 5-1/4 [133]
- 5-1/4 [133]
- 3-1/2 [89]
- 4-1/4 [108]
- 4-3/8 [111]

PREFIXES

- _____ Z D.C.C.I. Body and Grate*
- _____ ZB D.C.C.I. Body with Polished Bronze Grate (Add 5/8 [16] to 9 [229] Dim.)
- _____ ZN D.C.C.I. Body with Polished Nickel Bronze Grate (Add 5/8 [16] to 9 [229] Dim.)

SUFFIXES

- _____ -C Clamp Collar
- _____ -DG Duresist Grate
- _____ -F Extension Frame
(4-5/8 [117] Min. to 6-13/16 [173] Max.)
- _____ -G Galvanized Cast Iron
- _____ -HP Heel-Proof Grate
- _____ -S Secondary Strainer
- _____ -SC Solid Cover
- _____ -SG Solid Gasketed Cover
- _____ -SS Stainless Mesh Liner for Bucket
- _____ -T Square Top
- _____ -TC Neo-Loc Test Cap Gasket
(2 [51] - 4 [102] NL Bottom Outlet Only)
- _____ -TS Top Secured with Slotted Screws
- _____ -V Backwater Valve (See Z1099)
- _____ -VP Vandal Proof Secured Top
- _____ -90 90° Side Outlet (See Z1042)

*REGULARLY FURNISHED UNLESS OTHERWISE SPECIFIED

REV. D	DATE: 02/20/13	C.N. NO. 128803
PROD./DWG. NO. Z520-P-Y		