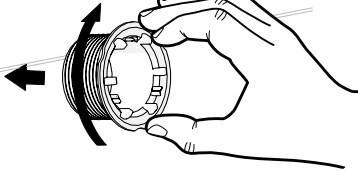
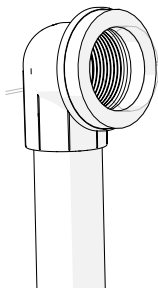
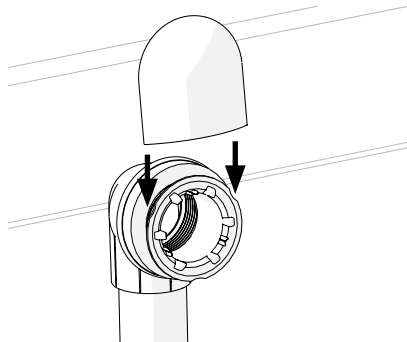


# SlideOn™ Non-Testable

1



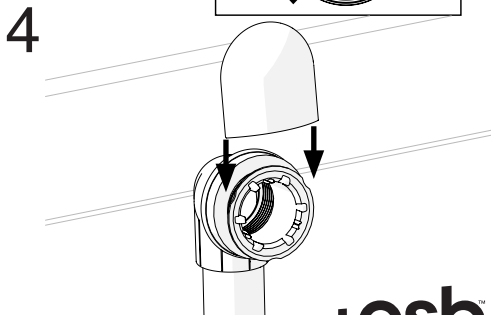
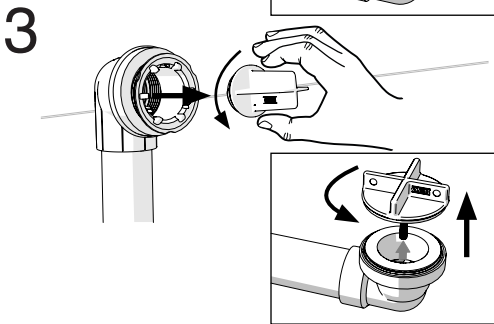
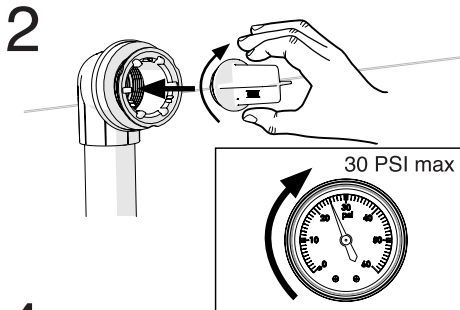
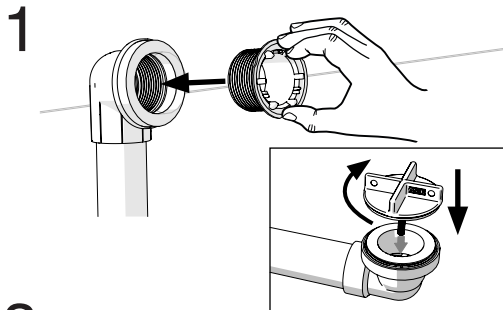
2



SlideOn™ Patent is owned by Oakville Stamping and Bending Limited (OS&B™)  
le brevet SlideOn™ appartient à Oakville Stamping and Bending Limited (OS&B™)  
CAN Pat. N° 2644533. US Pat. N° 8266735

**+osb™**  
[www.osb.ca](http://www.osb.ca)  
FMSLIDEON

# SlideOn™ Testable



SlideOn™ Patent is owned by Oakville Stamping and Bending Limited (OS&B™)  
le brevet SlideOn™ appartient à Oakville Stamping and Bending Limited (OS&B™)  
CAN Pat. N° 2644533. US Pat. N° 8266735

**+osb™**  
www.osb.ca  
3/5/2025