



SPECIFICATION SUBMITTAL

SD35

SEE FINISHES: X - FINISH

ABS SHOWER DRAIN FOR MOLDED BASES

JOB:
 CONTRACTOR:
 ARCHITECT/ENGINEER:

DATE:
 QTY:
 PO#:
 TAG:

SPECIFICATION

ABS shower drain with 2" nominal outlet for use with molded bases. Includes a round screw-in grate.

CERTIFICATION

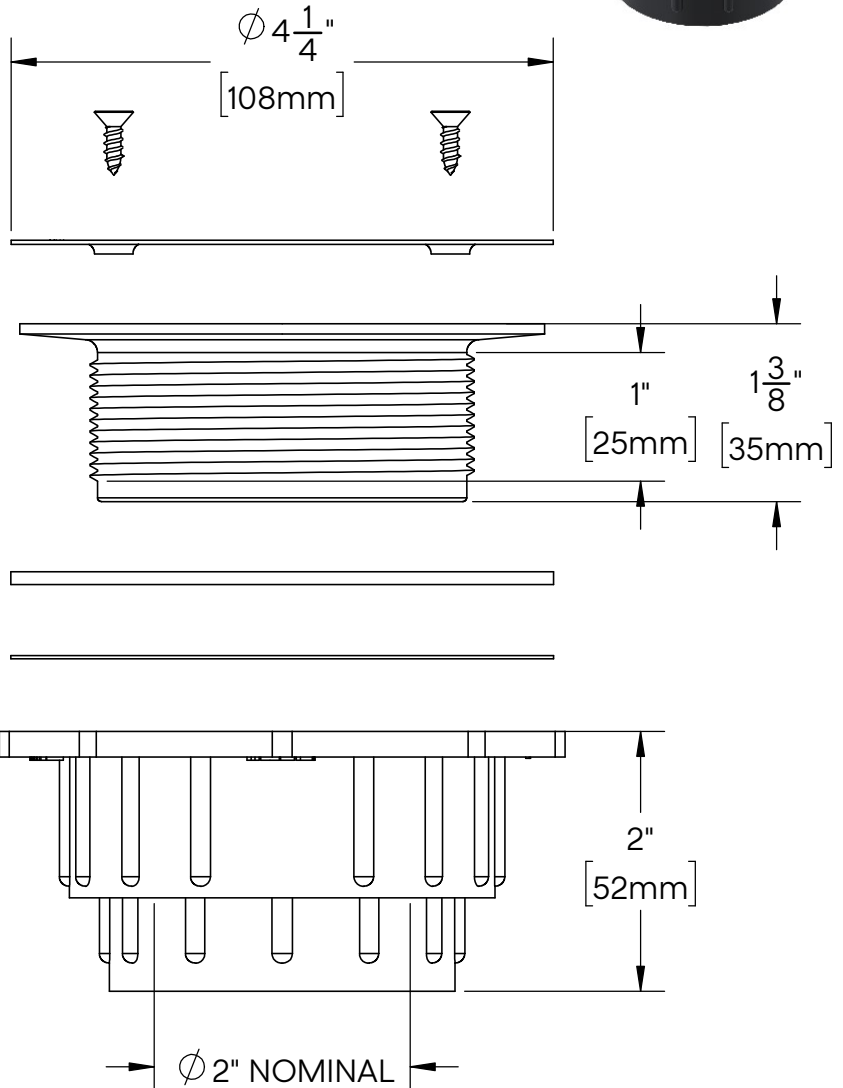


ASME A112.18.2/CSA-B125.2
 The "cCSAus" Meets UPC & IPC Code* mark means the product conforms to the requirements of the NPC, UPC, IPC, and IRC.



FINISHES AVAILABLE
 Fill X - FINISH

-BG	-BN	-CP
BRUSHED GOLD	BRUSHED NICKEL	CHROME PLATED
-LB	-MBL	NO SUFFIX
LUXE BRONZE	MATTE BLACK	STAINLESS STEEL
-VB	-W	
VENETIAN BRONZE	WHITE	



Oakville Stamping and Bending Ltd.

T. 905.827.0320 or toll free 1.877.314.6040 F. 905.827.6375 or toll free 1.877.827.6040

All rights reserved. +osb™ reserves the right to change product specifications and material or discontinue models without notice.

www.osb.ca (Canada) www.osbplumbing.com (USA)

02/19/26

