



# Product Spec Sheet

## AS - 36 DT 2pc [36x36x78]

Gelcoat surface, reinforced fiberglass

Double threshold Shower stall with split walls

Soap ledge

Non slip bottom

Tiling flange

Standard White

CSA Approved

### Approximate Weight:

- 80 lbs



### Dimensions

A	36 1/2"	(927mm)
B	36 "	(914mm)
C	78 3/4"	(2000mm)
D	17 "	(432mm)
E	5 "	(127mm)
F	6 1/2"	(165mm)

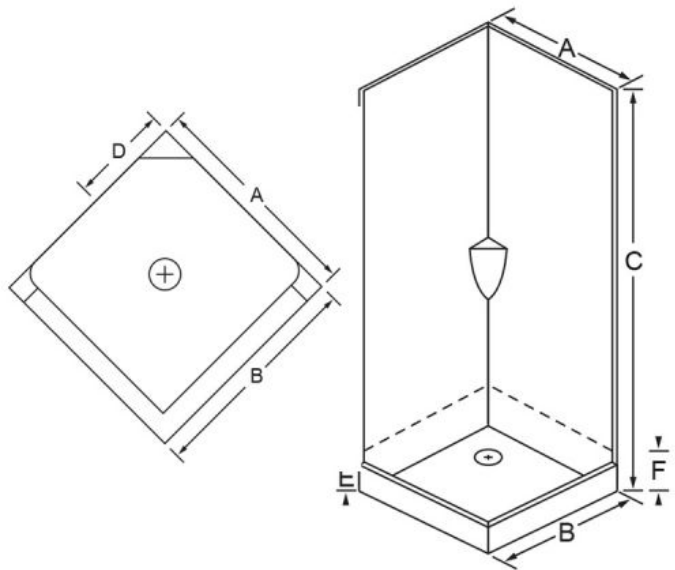
### Door Opening

33 1/2 x 33 1/2"  
(851 x 851mm)

Product is made of Gel-coat surface & reinforced with heavy-duty fiberglass. The unit has a 1" nailing flange on front & top edges (except for drop in tubs). Product measurements are to the outside of nailing flange. Measurements are plus (+) or minus (-) 1/4".

Altrek cannot assume responsibility for code compliance in your specific project. Please check specifications and other information with the appropriate authorities before ordering.

Altrek reserves the right to discontinue or make changes to product dimensions at any time. Standard colour is WHITE. Additional charge for Bone, Biscuit & Linen.



**Altrek Industries Ltd.**  
P.O. Box 822, 138 Fisher Street  
Okotoks, Alberta  
T1S 1A9

**Tel:** (403) 938-2448  
**Fax:** (403) 938-6563  
sales@altrekproducts.com  
www.altrekproducts.com

