



Product Spec Sheet

AS - 36 DT [36x36x78]

Gelcoat surface, reinforced fiberglass

Double threshold Shower stall

Soap ledge

Non slip bottom

Tiling flange

Standard White

CSA Approved

Approximate Weight:

- 80 lbs



Dimensions

A	36 ³ / ₄ "	(933mm)
B	36 "	(914mm)
C	78 "	(1981mm)
D	17 "	(432mm)
E	5 ¹ / ₂ "	(140mm)

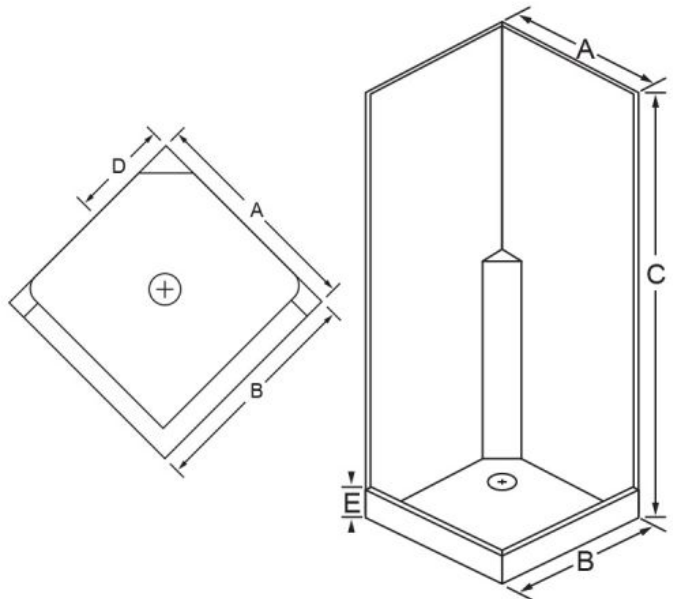
Door Opening

34 ¹/₄ x 34 ¹/₄"
(870 x 870mm)

Product is made of Gel-coat surface & reinforced with heavy-duty fiberglass. The unit has a 1" nailing flange on front & top edges (except for drop in tubs). Product measurements are to the outside of nailing flange. Measurements are plus (+) or minus (-) ¹/₄".

Altrek cannot assume responsibility for code compliance in your specific project. Please check specifications and other information with the appropriate authorities before ordering.

Altrek reserves the right to discontinue or make changes to product dimensions at any time. Standard colour is WHITE. Additional charge for Bone, Biscuit & Linen.



Altrek Industries Ltd.
P.O. Box 822, 138 Fisher Street
Okotoks, Alberta
T1S 1A9

Tel: (403) 938-2448
Fax: (403) 938-6563
sales@altrekproducts.com
www.altrekproducts.com

