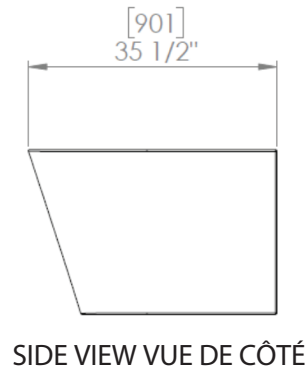
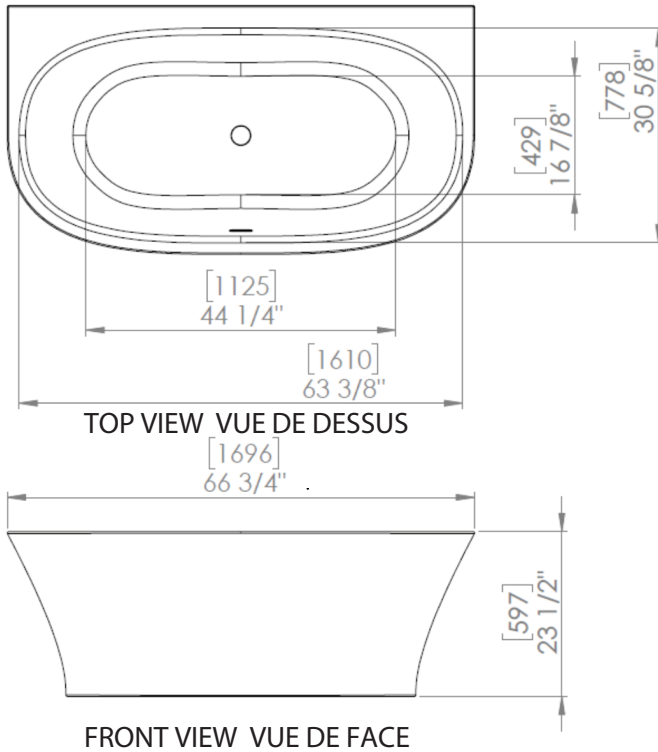


# Bain Signature

7300 Rue Sherbrooke O,  
Montréal, QC H4B 1R7  
www.bainsignature.com

Model Modèle: **VELA**

Freestanding bathtub  
Baignoire autoportante



\* Dimensions may vary +/- 1/4" (6mm) / Les dimensions peuvent varier de +/- 1/4" (6mm)

gallons to overflow /	62 gal.
packaging dimension /	69 x 38 x 26 in
approximated weight /	128 lbs
weight with water /	645.7 lbs
bathing well at sump /	44 x 17 in

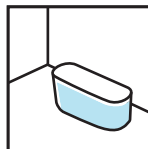


## Compliance Certifications:

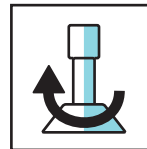
Uniform Plumbing Code  
National Plumbing Code of Canada  
CSA B45.5-17/IAPMO Z124-2017



Pure acrylic construction reinforced by fiberglass  
Construction en acrylique renforcée de fibre de verre



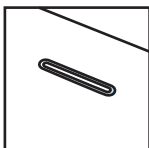
Freestanding installation  
Installation autoportante



Adjustable feet  
Pattes ajustables



Chrome drain included  
Drain chrome inclus



Integrated chrome linear overflow  
Trop plein linéaire chrome intégré



CUPC certified  
Certifié CUPC