

CAL-X-TRACT

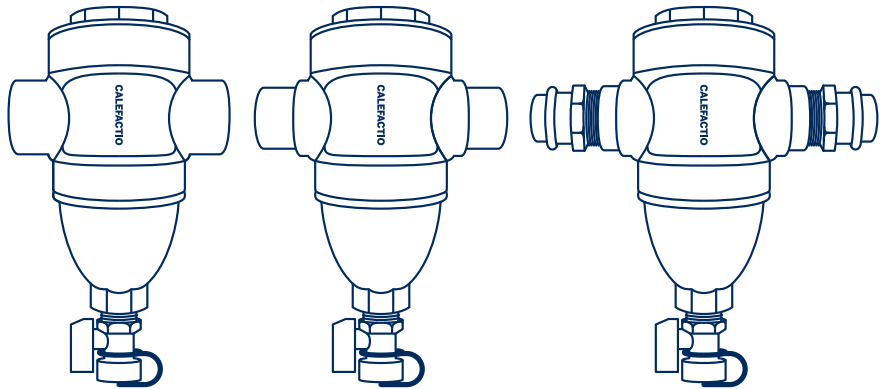
AIR AND DIRT SEPARATORS

Instruction

DIRT SEPARATORS

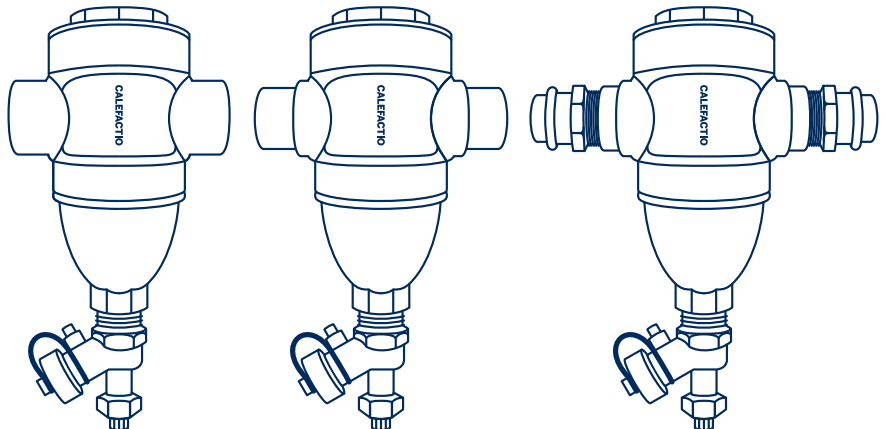
Models
without
magnet

#CXTD-075N
#CXTD-075S
#CXTD-075P
#CXTD-100N
#CXTD-100S
#CXTD-100P
#CXTD-125N
#CXTD-125S
#CXTD-125P
#CXTD-150N
#CXTD-150S
#CXTD-150P
#CXTD-200N
#CXTD-200S
#CXTD-200P



Models
with magnet

#CXTD-075N-MAG
#CXTD-075S-MAG
#CXTD-075P-MAG
#CXTD-100N-MAG
#CXTD-100S-MAG
#CXTD-100P-MAG
#CXTD-125N-MAG
#CXTD-125S-MAG
#CXTD-125P-MAG
#CXTD-150N-MAG
#CXTD-150S-MAG
#CXTD-150P-MAG
#CXTD-200N-MAG
#CXTD-200S-MAG
#CXTD-200P-MAG



Scan the QR code to
see the online version.



TECHNICAL SPECIFICATIONS

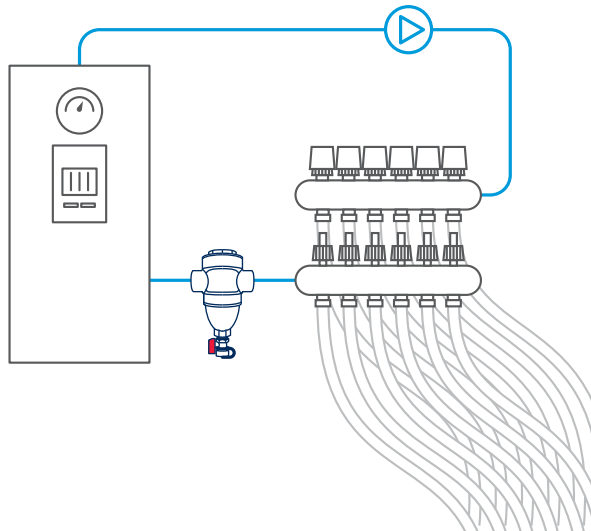
Housing	Brass
Maximum temperature	120°C (250°F)
Maximum design pressure	150 PSI
Connections	NPT, Sweat or Press, 3/4" to 2"
Coalescent media	316 stainless steel
Adapted fluids	Water and 50% glycol solution
Drain valve	3/4"
Magnet	Optional

INSTALLATION

Install Cal-X-Tract Dirt Separator in a dry and frost-free environment on horizontal piping making sure that the drain valve is placed down.

Leave at least 100 mm (4 in) free on the bottom of the device to have enough space for maintenance.

The Dirt Separator Cal-X-Tract must be installed before the boiler and preferably before the circulation pump.



WARNING

The installation must be performed by qualified professionals in respect with current codes and law.

Check that all connections are waterproof.

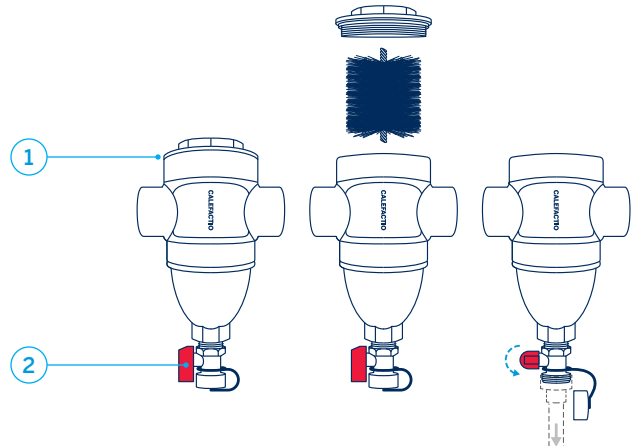
029-OCT-10-2022-01E

MAINTENANCE

- Visually inspect the device periodically;
- Ensure that the installation is cooled down and not under pressure when proceeding maintenance;
- Unscrew the upper nut of the device body in order to remove the stainless steel bristles media to be able to clean it. [1]

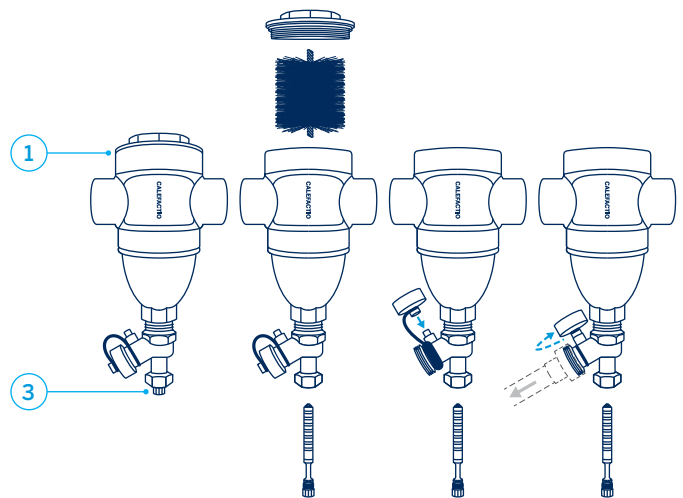
Models without magnet [2]

- For models without magnet, unscrew the drain valve cap and connect a garden hose if necessary to collect water and dirt in a container.
- Then open the valve using the red handle to release the dirt.



Models with magnet [3]

- For models with magnet, it is important to unscrew the magnet head (not the hexagonal ring) located at the bottom of the unit in order to completely remove the magnet. This step is essential in order to dislodge ferrous impurities.
- Unscrew the drain valve cap and connect a garden hose to collect water and dirt in a container.



Quebec, Canada
T 450 951.0818
F 450 951.2165

[@calefactio_solutions](#)
[f calefactio](#)
[in calefactio-solutions-inc](#)

calefactio.com

CALEFACTIO