



Clio Rec

SKU - wbclir20-xx

SKU - wballclir20-xx (wall mount option)

DESCRIPTION

The Clio Rectangle is a rectangular vessel sink cast in fiber-reinforced concrete. It is designed for surface installation or optional wall mount (*add on bracket). The sink includes a centered drain opening and is available in a range of surface colors. Featuring a scalloped exterior.

DIMENSIONS

20" x 14" x 4 3/4"

508 mm x 356 mm x 121 mm

WEIGHT

26lbs - 11.8kg

DRAIN

1 1/2"
1.625mm
(no overflow)

MATERIAL

Ultra High Performance Concrete

Installation Style

Surface or wall mount

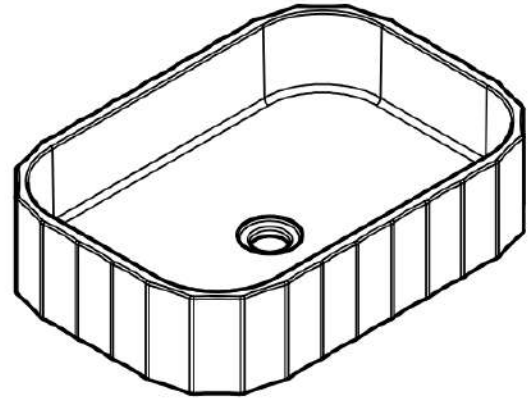
CONTACT

Phone
Email
Web

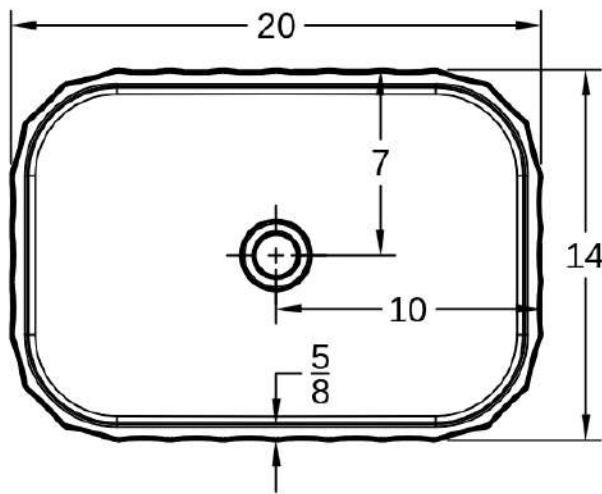
1-(877) 430-5551
hello@cretecollective.com
cretecollective.com

CERTIFICATION

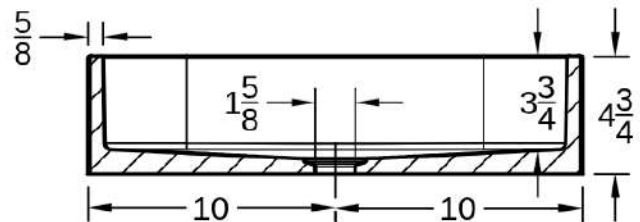
CSA B45.8:23/IAPMO Z403-2023



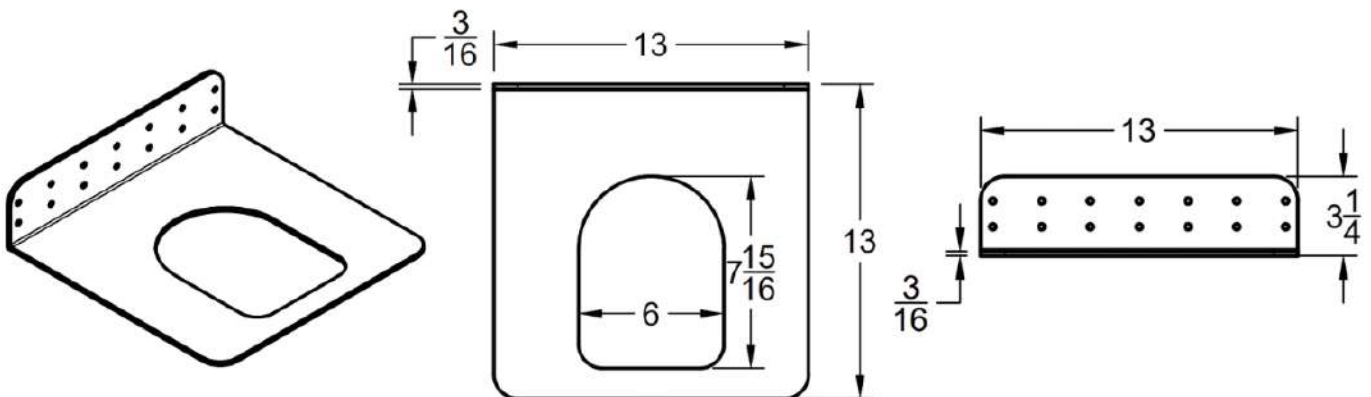
TOP



CROSS SECTION



Optional Bracket (Refer to installation instructions)



tolerances of +/- 5mm

Specifications are subject to change without notice. Dimensions, weight, and finish may vary due to the handcrafted nature of the product (tolerance ±5 mm). Installation must follow Crete Collective instructions and comply with all applicable local codes and regulations. Crete Collective assumes no responsibility for improper installation or use.