



Lily Sq

SKU - wblils16-xx

SKU - wballils16-xx (wall mount option)

DESCRIPTION

The Lily Sq is a square vessel sink cast in fiber-reinforced concrete. It is designed for surface installation or optional wall mount (*add on bracket). The sink includes a centered drain opening and is available in a range of surface colors. Featuring a smooth exterior and low profile design.

DIMENSIONS

16" x 16" x 3 1/2"

406 mm x 406 mm x 89 mm

WEIGHT

18lbs - 8.2kg

DRAIN

1 5/8"

1.625mm

(no overflow)

MATERIAL

Ultra High Performance Concrete

Installation Style

Surface Mount or Wall Mount

CONTACT

Phone

1-(877) 430-5551

Email

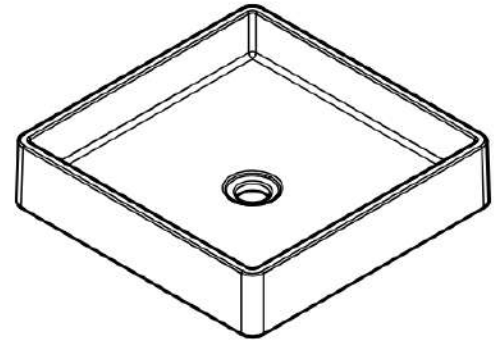
hello@cretecollective.com

Web

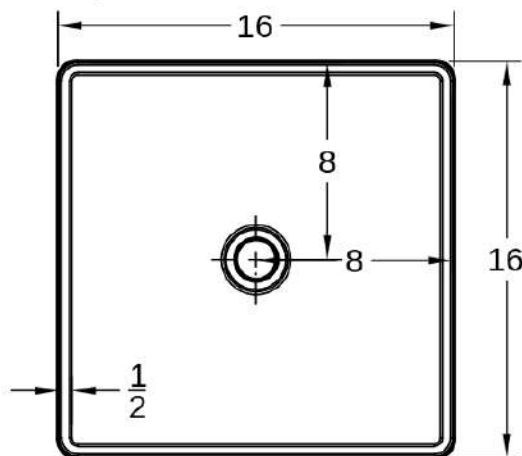
cretecollective.com

CERTIFICATION

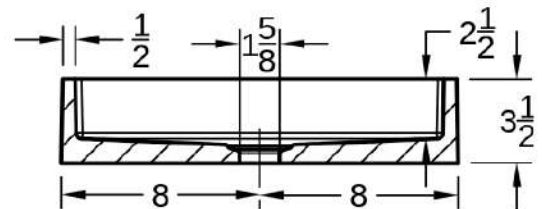
CSA B45.8:23/IAPMO Z403-2023



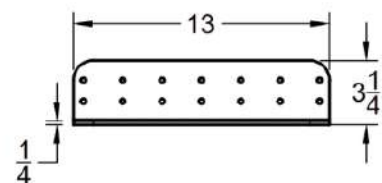
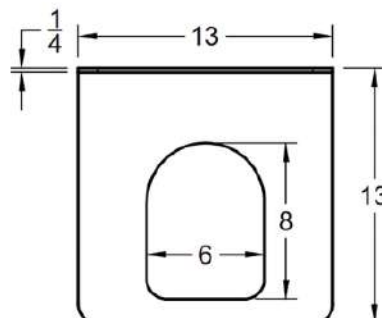
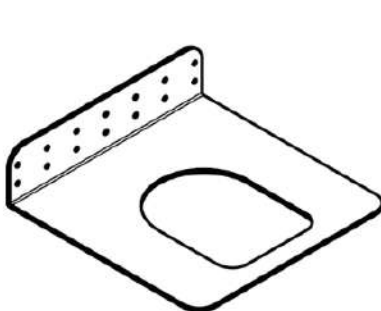
TOP



CROSS SECTION



Optional Bracket (Refer to installation instructions)



tolerances of +/- 5mm