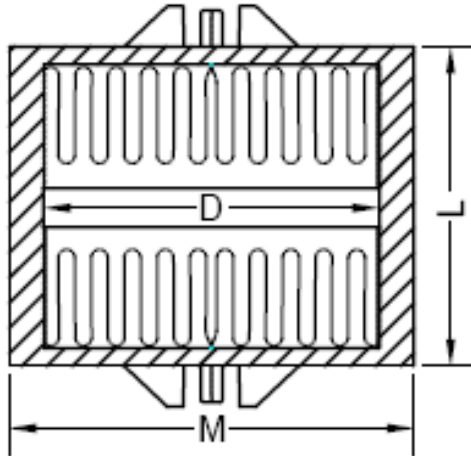




**IPEX**

Committed to Excellence

FABRICATED REPAIR COUPLING EJ



NOM. PIPE SIZE	FABRICATED REPAIR COUPLING EJ								
	IPEX PART NUMBER	D		M		L			
		IN	MM	IN	MM	IN	MM		
2	257148	2.38	60.45	2.877	73.08	2.248	57.10		
3	257152	3.495	88.77	4.037	102.54	3.119	79.22		
4.0	257156	4.492	114.10	5.060	128.52	3.388	86.06		
6	257159	6.628	168.35	7.152	181.66	4.513	114.63		

Issue	Draft	Date: 2011 12 14
Amendment:	New	

Section	Enfield
Page:	14 of 51