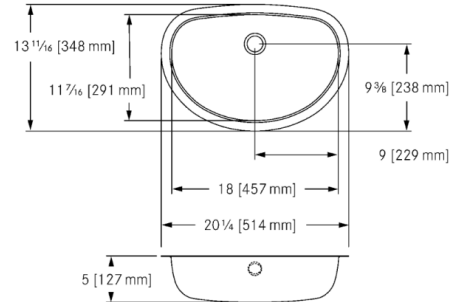


OV1420U/5 Undermount, with overflow

MODEL RANGE: COMMERCIAL SINKS | OV1420U-5

Vanity basin | Undermount



Single compartment undermount vanity basin. 18 gauge (1.2 mm), type 304 (CNS 18/10) stainless steel. Exposed surfaces are #4 satin finished. Undercoated to reduce condensation and resonance. Includes cutout template and installation hardware. Certified to ASME A112.19.3-2008 / CSA B45.4-08.

Wheelchair accessible: meets ADA (Americans with disabilities act guidelines), ANSI A117.1 (Accessible and usable buildings and facilities), and CSA B651-04 (Accessible design for the built environment). Check local codes to ensure compliance.

Centre back waste location, accepts 1 1/4" (32 mm) waste assembly (not included), integral overflow at back of bowl.

13 11/16 x 20 1/4" Overall. 11 7/16 x 18 x 5" Bowl. (FB x LR x D).

348 x 514 mm Overall. 291 x 457 x 127 mm Bowl. (FB x LR x D).

Technical data

Bowl height	5 inch
Bowl depth	11 7/16 "
Bowl width	18 "
Overall depth	13 11/16 "
Overall width	20 1/4 "
Material	Stainless steel
Material code	1.4301 Chrome Nickel steel V2A
Tailor made	No
Tap ledge	No
Waste hole position	Center back
Bowl finish	Satin finish
Number of bowls	1.00000
Number of tap holes	0.00000
Type of waste kit	Optional grid strainer
Waste size	DN 32
Overflow position	Back
Type of basin	Vanity basin

PROJECT INFORMATION

Item Location	
Project Number	
Quote Number	
Notes	

ENGINEER'S APPROVAL