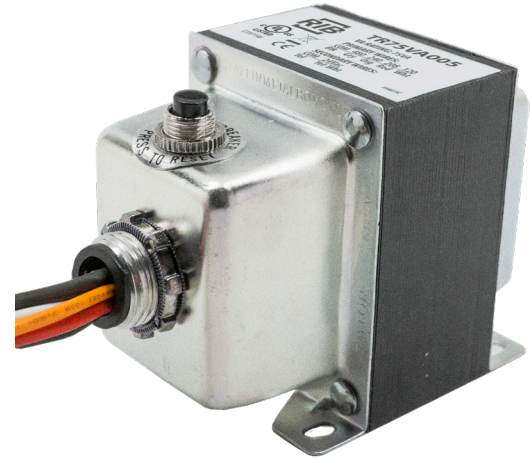
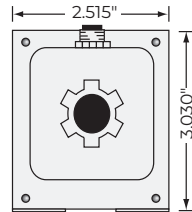
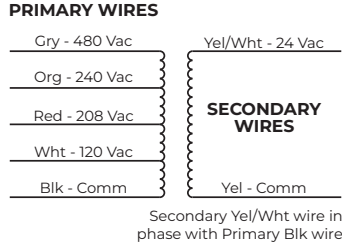
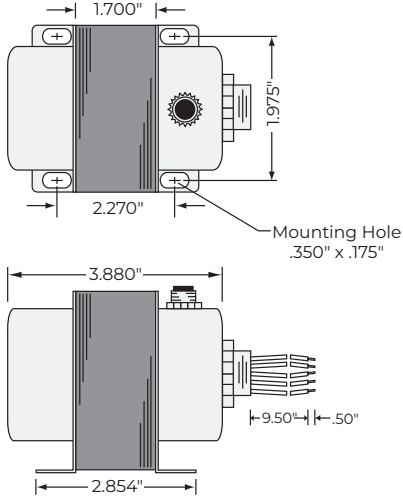


**TRANSFORMER**

**TR75VA005**

Transformer 75 VA, 480/240/208/120 to 24 Vac, Circuit Breaker, Foot and Single Threaded Hub Mount



**SPECIFICATIONS**

<b>VA Rating</b>	75
<b>Frequency</b>	50/60 Hz
<b>Mounting</b>	Foot & Single Threaded Hub
<b>Over Current Protection</b>	Circuit Breaker
<b>Operating Temperature</b>	-30 to 140° F

<b>Dimensions</b>	3.880" x 2.515" x 3.030" (w/ .500" NPT Hub)
<b>Wire Length</b>	9.5" Typical w/ .5" Strip
<b>MTBF</b>	100,000 Hours @ 77° F
<b>Construction</b>	Split-Bobbin
<b>Approvals</b>	Class 2 UL5085-3 Listed, C-UL, CE, RoHS