

Motorized Zone Valves

V4043 Line Voltage Zone Valves



Flare Connection



Sweat Connection



NPT Connection

Two way on-off line voltage valves consist of an actuator motor and valve assembly for controlling the flow of hot or chilled water.

- Manual opener (on all models, except straight-through, normally open valves) for valve operation on power failure; valve returns to automatic position when power is restored.
- All models may be installed without disassembling the valve.
- Compact construction for easy installation.
- Complete powerhead may be removed or replaced without breaking plumbing line connections or draining the system.
- Motor may be replaced without removing the valve body or draining the system.
- Suitable for heating and cooling applications.

Application: Hydronic Control

Type: Two position

Body Pattern: Two-way, Straight-through

Frequency: 60 Hz

Power Consumption: 9.6 VA

Nominal Timing (sec, min): De-energized Position: Normally Closed

Electrical Connections: 18 in. leads (457 mm leads)

Fluid Temperature Range: 40 F to 200 F (5 C to 93 C)

Maximum Ambient Temperature: 125 F (52 C)

Materials

(Body): Brass

(Stem): Stainless Steel

(Seat): Brass

(Packing O-Ring): EPDM rubber

(Ball Plug): Buna-N (NBR) Rubber Ball

Comments: Use this valve in closed loop hydronic systems that do not contain dissolved oxygen in system water, such as fresh water from frequent source of makeup water.

Valve designed for cycling (not constantly powered on) applications.

Approvals

Underwriters Laboratories, Inc: UL Listed: File MH11826

Replacement Parts:

802360LA-120V, 60 Hz Replacement motor for V4043, V4044 Zone Valves

802360MA-208V, 60 Hz Replacement motor for V4043, V4044 Zone Valves

802360NA-220V/50 Hz; 240V/60 Hz Replacement motor for V4043, V4044 Zone Valves

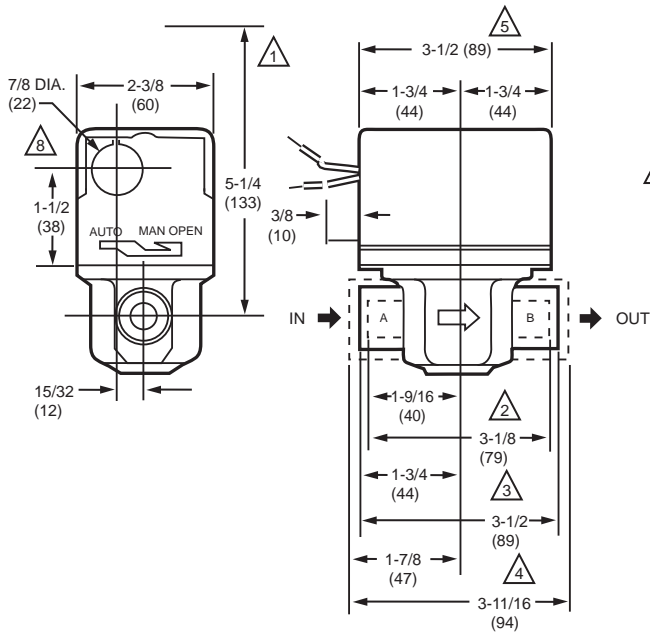
Product Number	Capacity		Pipe Size		Connection Type	Maximum Close-off Pressure		De-energized Position	Valve Action	Voltage	Current Draw (A)	Manual Opener
	(Cv)	(Kv)	inch	DN		(psi)	(kPa)					
V4043A1002/U	3.5 Cv	3 Kv	1/2 in.	DN15	Flare	20 psi	138 kPa	Normally Closed	Spring return to close	120 Vac	0.08A	Yes
V4043A1010/U	3.5 Cv	3 Kv	1/2 in.	DN15	Sweat	20 psi	138 kPa	Normally Closed	Spring return to close	120 Vac	0.08A	Yes
V4043A1028/U	3.5 Cv	3 Kv	1/2 in.	DN15	Flare	20 psi	138 kPa	Normally Closed	Spring return to close	208 Vac	0.04A	Yes
V4043A1044/U	3.5 Cv	3 Kv	1/2 in.	DN15	Flare	20 psi	138 kPa	Normally Closed	Spring return to close	240 Vac	0.04A	Yes
V4043A1051/U	3.5 Cv	3 Kv	1/2 in.	DN15	Sweat	20 psi	138 kPa	Normally Closed	Spring return to close	240 Vac	0.04A	Yes
V4043A1184/U	1 Cv	0.9 Kv	1/2 in.	DN15	Sweat	50 psi	345 kPa	Normally Closed	Spring return to close	120 Vac	0.08A	Yes
V4043A1259/U	8 Cv	6.9 Kv	3/4 in.	DN20	Sweat	8 psi	55 kPa	Normally Closed	Spring return to close	120 Vac	0.08A	Yes
V4043A1317/U	8 Cv	6.9 Kv	1 in.	DN25	Sweat	8 psi	55 kPa	Normally Closed	Spring return to close	120 Vac	0.08A	Yes
V4043A1689/U	3.5 Cv	3 Kv	1/2 in.	DN15	NPT	20 psi	138 kPa	Normally Closed	Spring return to close	120 Vac	0.08A	Yes
V4043A1697/U	10 Cv	8.6 Kv	1 in.	DN25	NPT	6.5 psi	45 kPa	Normally Closed	Spring return to close	120 Vac	0.08A	Yes
V4043A1705/U	3.5 Cv	3 Kv	3/4 in.	DN20	NPT	20 psi	138 kPa	Normally Closed	Spring return to close	120 Vac	0.08A	Yes
V4043B1000/U	3.5 Cv	3 Kv	1/2 in.	DN15	Flare	20 psi	138 kPa	Normally Open	Spring return to open	120 Vac	0.08A	No
V4043B1018/U	3.5 Cv	3 Kv	1/2 in.	DN15	Sweat	20 psi	138 kPa	Normally Open	Spring return to open	120 Vac	0.08A	No
V4043B1059/U	3.5 Cv	3 Kv	1/2 in.	DN15	Sweat	20 psi	138 kPa	Normally Open	Spring return to open	240 Vac	0.04A	No

Motorized Zone Valves

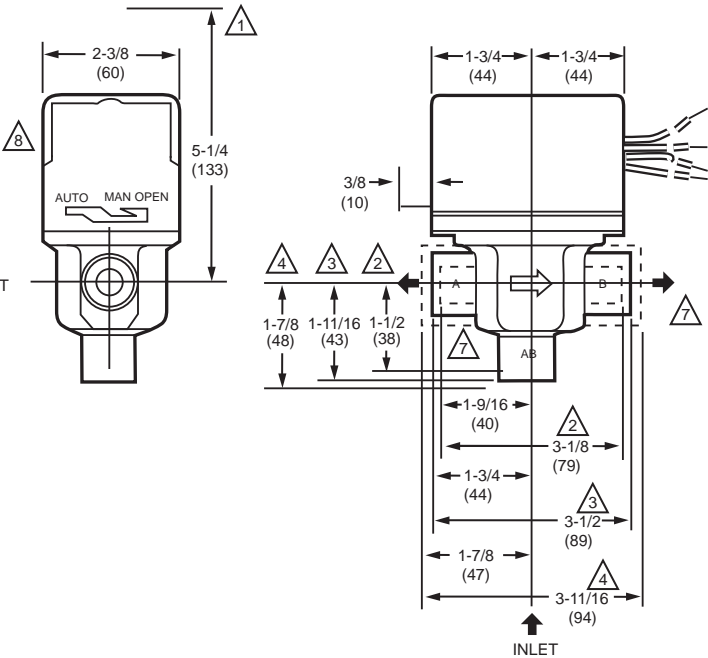
Hydraulic Controls

Dimensions in inches (millimeters)

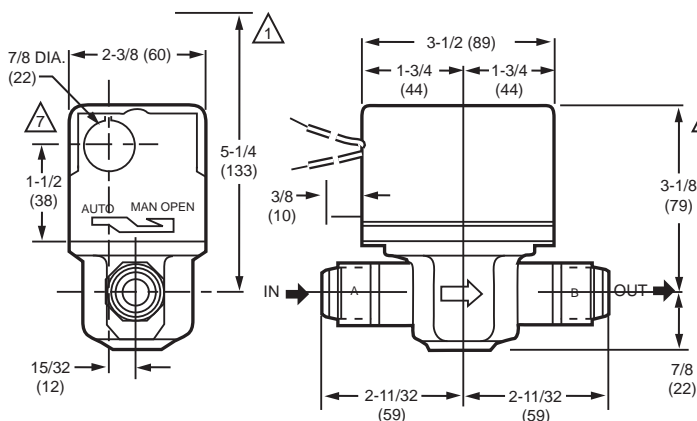
V4043, V8043 SWEAT COPPER CONNECTION MODELS ⁶



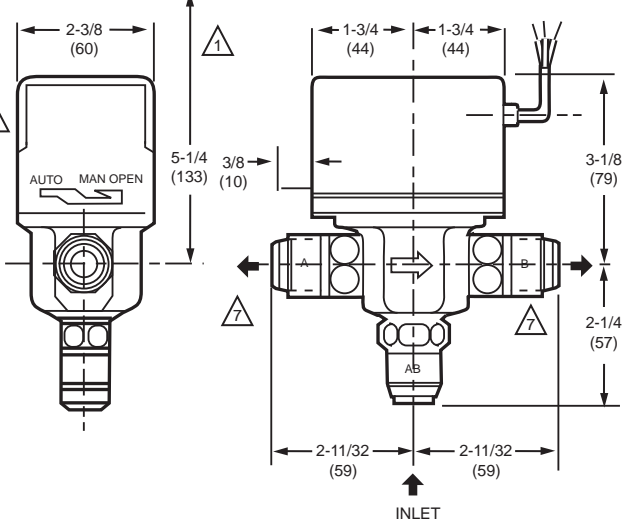
V4044, V8044 SWEAT COPPER CONNECTION MODELS



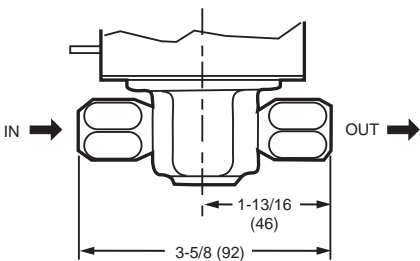
V4043, V8043 FLARE-FITTING MODELS ⁶



V4044, V8044 FLARE-FITTING MODELS



V8043 INVERTED FLARE MODELS



- ¹ HEIGHT NEEDED TO REMOVE COVER.
- ² DIMENSIONS FOR 1/2 IN. COPPER TUBING.
- ³ DIMENSIONS FOR 3/4 IN COPPER TUBING.
- ⁴ DIMENSIONS FOR 1 IN. COPPER TUBING.
- ⁵ 4-7/8 IN. (124) MAX ON V8034F WITH TERMINAL BOARD ENCLOSURE.
- ⁶ V4034B AND V8043B VALVES THAT ARE NORMALLY OPEN IN THE DE-ENERGIZED POSITION HAVE NO MANUAL LEVER. THE VALVES ALSO HAVE A REVERSED POWERHEAD WHERE THE LEADWIRES EXIT THE POWERHEAD ABOVE THE B (OUTLET) PORT RATHER THAN ABOVE THE A (INLET) PORT.
- ⁷ REFER TO MOUNTING INSTRUCTIONS.
- ⁸ OPENING FOR 1/2 IN. CONDUIT ON MANUAL LEVER SIDE FOR V4043, V8043; OPENING ON OPPOSITE SIDE FOR V4044, V8044.

M10175

Motorized Zone Valves

V8043 Low Voltage Normally Closed Zone Valves



Flare Connection



NPT Connection



Sweat Connection



Sweat Connection with terminal block

Two-way on-off low voltage valves consist of an actuator and valve assembly for controlling the flow of hot water.

- Manual opener (on all models, except straight-through, normally open valves) for valve operation on power failure; valve returns to automatic position when power is restored.
- All models may be installed without disassembling the valve.
- Compact construction for easy installation.
- Complete powerhead may be removed or replaced without breaking plumbing line connections or draining the system.
- Actuator motor may be replaced without removing the valve body or draining the system.

Application: Hydronic Control

Type: Two position

Body Pattern: Two-way, Straight-through

Valve Action: Spring return to close

Voltage: 24 Vac

Frequency: 50 Hz; 60 Hz

Power Consumption: 7.7 VA

De-energized Position: Normally Closed

Fluid Temperature Range: 50 F to 200 F (10 C to 93 C)

Maximum Ambient Temperature: 125 F (52 C)

Comments: Use this valve in closed loop hydronic systems that do not contain dissolved oxygen in system water, such as fresh water from frequent source of makeup water.

Valve designed for cycling (not constantly powered on) applications.

Materials

(Body): Brass

(Stem): Stainless Steel

(Seat): Brass

(Packing O-Ring): EPDM rubber

(Ball Plug): Buna-N (NBR) Rubber Ball

Approvals

Underwriters Laboratories, Inc: UL Listed: File MH11826

Replacement Parts:

802360JA-24V, 50/60 Hz Replacement motor for V8043, V8044 Zone Valves

802360UA-24V, 50/60 Hz Replacement motor for steam and heating Zone Valves

Product Number	Capacity		Pipe Size		Connection Type	Auxiliary End Switch	Maximum Close-off Pressure		Current Draw (A)	Manual Opener	Electrical Connections
	(Cv)	(Kv)	inch	DN			(psi)	(kPa)			
V8043A1003/U	3.5 Cv	3 Kv	1/2 in.	DN15	Flare	—	20 psi	138 kPa	0.32A	Yes	18 in. (457 mm) leads
V8043A1011/U	3.5 Cv	3 Kv	1/2 in.	DN15	Sweat	—	20 psi	138 kPa	0.32A	Yes	18 in. (457 mm) leads
V8043A1029/U	3.5 Cv	3 Kv	3/4 in.	DN20	Sweat	—	20 psi	138 kPa	0.32A	Yes	18 in. (457 mm) leads
V8043A1037/U	3.5 Cv	3 Kv	1 in.	DN25	Sweat	—	20 psi	138 kPa	0.32A	Yes	18 in. (457 mm) leads
* V8043A1193/U	3.5 Cv	3 Kv	1/2 in.	DN15	Inverted Flare	—	20 psi	138 kPa	0.32A	Yes	18 in. (457 mm) leads
V8043A1227/U	3.5 Cv	3 Kv	1/2 in.	DN15	NPT	—	20 psi	138 kPa	0.32A	Yes	18 in. (457 mm) leads
* V8043E1004/U	3.5 Cv	3 Kv	1/2 in.	DN15	Sweat	N.O. SPST	20 psi	138 kPa	0.32A	Yes	18 in. (457 mm) leads
* V8043E1012/U	3.5 Cv	3 Kv	3/4 in.	DN20	Sweat	N.O. SPST	20 psi	138 kPa	0.32A	Yes	18 in. (457 mm) leads
* V8043E1020/U	3.5 Cv	3 Kv	1 in.	DN25	Sweat	N.O. SPST	20 psi	138 kPa	0.32A	Yes	18 in. (457 mm) leads
V8043E1061/U	8 Cv	6.9 Kv	3/4 in.	DN20	Sweat	N.O. SPST	8 psi	55 kPa	0.32A	Yes	18 in. (457 mm) leads
V8043E1079/U	8 Cv	6.9 Kv	1 in.	DN25	Sweat	N.O. SPST	8 psi	55 kPa	0.32A	Yes	18 in. (457 mm) leads
* V8043E1129/U	3.5 Cv	3 Kv	1/2 in.	DN15	Inverted Flare	N.O. SPST	20 psi	138 kPa	0.32A	Yes	18 in. (457 mm) leads
V8043E1137/U	10 Cv	8.6 Kv	1 in.	DN25	NPT	N.O. SPST	6.5 psi	45 kPa	0.32A	Yes	18 in. (457 mm) leads
V8043E1145/U	3.5 Cv	3 Kv	3/4 in.	DN20	NPT	N.O. SPST	20 psi	138 kPa	0.32A	Yes	18 in. (457 mm) leads
* V8043F1028/U	3.5 Cv	3 Kv	1/2 in.	DN15	Sweat	N.O. SPST	20 psi	138 kPa	0.32A	Yes	screw terminal block
* V8043F1036/U	3.5 Cv	3 Kv	3/4 in.	DN20	Sweat	N.O. SPST	20 psi	138 kPa	0.32A	Yes	screw terminal block
* V8043F1051/U	3.5 Cv	3 Kv	1 in.	DN25	Sweat	N.O. SPST	20 psi	138 kPa	0.32A	Yes	screw terminal block
V8043F1093/U	8 Cv	6.9 Kv	3/4 in.	DN20	Sweat	N.O. SPST	8 psi	55 kPa	0.32A	Yes	screw terminal block
V8043F1101/U	8 Cv	6.9 Kv	1 in.	DN25	Sweat	N.O. SPST	8 psi	55 kPa	0.32A	Yes	screw terminal block

* TRADELINE models • SUPER TRADELINE models