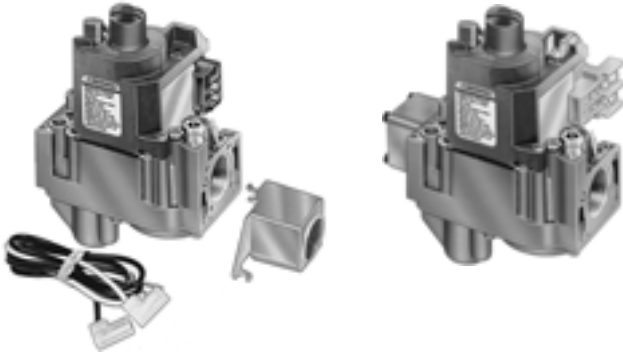


# Combination Gas Controls

## VR4300 Line Voltage; VR8300 Low Voltage Standing Pilot Dual Automatic Valve Combination Gas Control



**Type:** Single Stage

**Body Pattern**

**VR4300 :** Straight-through with flange

**VR8300:** Straight through with integral tapping; with flange

**Type of Gas:** Natural

**Capacity**

**1/2 x 3/4 inlet x outlet:** 190,000 BTU/hr 1 in. PD; 30,000 BTU/hr minimum; 290,000 BTU/hr maximum

**3/4 x 3/4 inlet x outlet:** 200,000 BTU/hr 1 in. PD; 30,000 BTU/hr minimum; 300,000 BTU/hr maximum

**Ignition Type:** Standing Pilot

**Pressure Ratings:** 1/2 psi (3.5 kPa)

**Pressure Tapping:** 1/8 in. NPT with plug

**Ambient Temperature Range:** 0 F to 175 F (-18 C to +79 C)

**Pilot Gas Outlet:** Compression fitting for 1/4 in. OD tubing

**Electrical Connections**

**24 Vac models:** 1/4 in. male quick connects

**120 Vac models:** 21 in. leadwires

**Mounting:** 0 to 90 degrees in any direction from the upright position of the gas control knob, including vertically.

**Combination gas control for use in 24 Vac, 120 Vac, gas-fired, standing pilot appliances with capacities from 30 to 300 cfh.**

- Control includes safety shutoff, manual valve, two automatic operators, pressure regulator and pilot adjustment.
- Compact size.
- Provides two automatic valves.
- Solenoid operated first automatic valve opens on thermostat call for heat, closes when call for heat ends.
- Diaphragm-operated second automatic valve opens under control of regulator; closes if gas or power supply is interrupted.
- Meets codes requiring dual safety shut-off.
- Natural to LP and LP to Natural conversion kits available for standard and slow opening gas valves.
- All adjustments, wiring connections and pilot outlet are accessible from top of control.
- Adjustable servo regulator effectively maintains almost constant gas output pressure under wide fluctuations in gas supply pressure.
- Compatible with ECO connector.
- LITE-RITE (OFF-PILOT-ON) lighting sequence.

**Approvals**

**Australian Gas Association:** 4717

**CSA International:** 112395

**Underwriters Laboratories, Inc:** UL Component Recognized MCC22.MH5323.

**Accessories:**

**390427A-**3/4 inch x 1/2 inch reducer bushing for valves

**390427B-**1/2 inch x 3/8 inch reducer bushing for valves

**390427E-**Two 3/4 in. NPT x 1/2 in. NPT reducer bushings

**392877-**1/4 inch barbed vent fitting

**393200-1-**ECO connector bag assembly, includes ECO adapter with 1/4 inch (6 mm) quick-connects

**393690-4-**Flange Kit bag assembly, includes 3/4 in. straight flange, O-ring, and hex screws.

**393690-13-**Flange Kit bag assembly, includes 1/2 inch angle flange, O-ring, 9/64 inch hex screws and 9/64 inch hex wrench

**393690-15-**Flange Kit bag assembly, includes 3/4 inch angle flange, O-ring, 9/64 inch hex screws and 9/64 inch hex wrench

**393691-**Single Stage Natural Gas to LP Conversion kit, including regulator spring, screw and cap

**394588-**Single Stage LP to Natural Gas Conversion kit, including regulator spring, screw and cap

**395253-1-**Single Stage Natural Conversion kit (5 in. wc to 7 in. wc adjustable).

Product Number	Electrical Ratings	Opening Characteristics (standard, step)	Frequency	Anticipator Setting	Inlet/Outlet Size (in.)	Pressure Regulator Setting		Includes
						(psi)	(kPa)	
VR4300A4502/U	120 Vac	Standard	60 Hz	0.13 A	3/4 in. straight flange x 3/4 in.	3.5 in. wc	0.87 kPa	One 1/2 in. x 3/8 in. reducer bushing; Two 3/4 x 1/2 in. reducer bushings; Natural to LP gas conversion kit.
VR8300A3500/U	24 Vac	Standard	60 Hz	0.7 A	1/2 in. x 3/4 in.	3.5 in. wc	0.87 kPa	One 3/4 x 1/2 in. reducer bushing; Natural to LP gas conversion kit.
VR8300A3518/U	24 Vac	Standard	60 Hz	0.7 A	1/2 in. x 3/4 in.	3.5 in. wc	0.87 kPa	One 3/4 x 1/2 in. reducer bushing 3/4 in. straight flange; ECO adapter; Q340 thermocouple with adapters; Natural to LP gas conversion kit.
VR8300A4508/U	24 Vac	Standard	60 Hz	0.7 A	3/4 in. straight flange x 3/4 in.	3.5 in. wc	0.87 kPa	Two 3/4 x 1/2 in. reducer bushings; Natural to LP gas conversion kit.
VR8300A4516/U	24 Vac	Standard	60 Hz	0.7 A	3/4 in. straight flange x 3/4 in.	3.5 in. wc	0.87 kPa	Two 3/4 x 1/2 in. reducer bushing; ECO adapter; Q340 thermocouple with adapters; Natural to LP gas conversion kit.
VR8300C4506/U	24 Vac	Step Opening	60 Hz	0.7 A	3/4 in. straight flange x 3/4 in.	Full Rate: 3.5 in. wc; Step Setting: 0.9 in. wc	Full Rate: 0.87 kPa; Step Setting: 0.22 kPa	Two 3/4 x 1/2 in. reducer bushings

U Universal Service Part

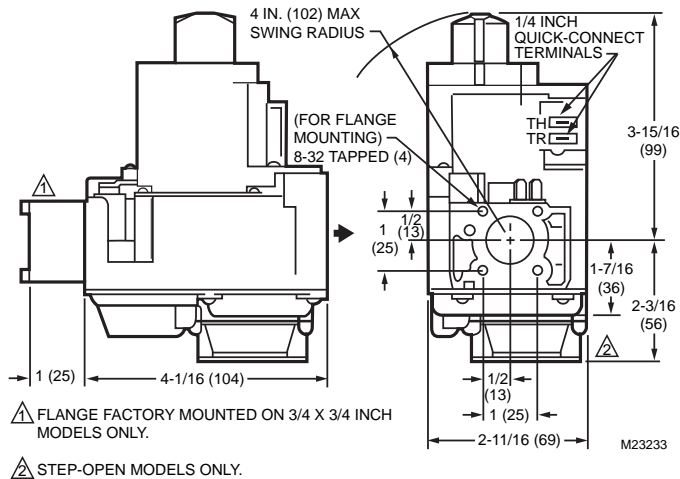
# Combination Gas Controls

Residential  
Combustion Controls

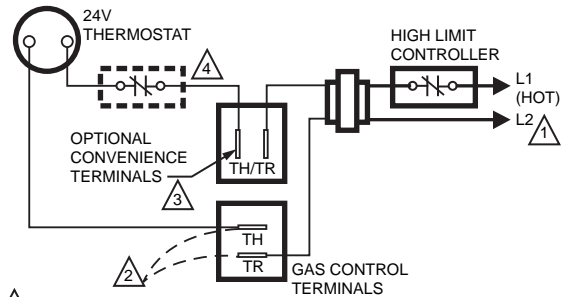
Product Number	Electrical Ratings	Opening Characteristics (standard, step)	Frequency	Anticipator Setting	Inlet/Outlet Size (in.)	Pressure Regulator Setting		Includes
						(psi)	(kPa)	
VR8300H4501/U	24 Vac	Slow Opening	60 Hz	0.7 A	3/4 in. straight flange x 3/4 in.	3.5 in. wc	0.87 kPa	—
U VR8300M4406/U	24 Vac	Standard	50 Hz; 60 Hz	0.7 A	3/4 in. x 3/4 in.	3.5 in. wc	0.87 kPa	Q340 thermocouple; Two 3/4 in. to 1/2 in. reducer bushings; One natural to LP conversion kit

U Universal Service Part

## Dimensions in inches (millimeters)

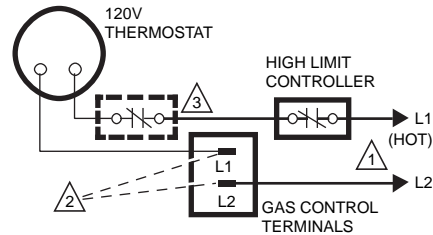


## Wiring connections for 24 volt control



- ⚠️ 1 POWER SUPPLY. PROVIDE DISCONNECT MEANS AND OVERLOAD PROTECTION AS REQUIRED.
  - ⚠️ 2 DO NOT JUMPER THESE TERMINALS. THIS SHORTS VALVE COIL AND CAN BURN OUT ANTICIPATOR IN THERMOSTAT.
  - ⚠️ 3 CONVENIENCE TERMINALS SERVE ONLY AS A TIE POINT. THEY ARE NOT INTERNALLY WIRED TO THE CONTROL CIRCUIT OR TO GROUND.
  - ⚠️ 4 OPTIONAL HIGH LIMIT.
- M2915A

## Wiring connections for 120 volt control



- ⚠️ 1 POWER SUPPLY. PROVIDE DISCONNECT MEANS AND OVERLOAD PROTECTION AS REQUIRED.
  - ⚠️ 2 DO NOT JUMPER THESE TERMINALS. THIS SHORTS VALVE COIL AND MAY BURN OUT ANTICIPATOR IN THERMOSTAT.
  - ⚠️ 3 OPTIONAL HIGH LIMIT.
- M3092B