



# LBL-DC24V30W

## 24V Dimmable Class 2 Power Supply 30W



Project: \_\_\_\_\_

Location: \_\_\_\_\_

Qty: \_\_\_\_\_

Notes: \_\_\_\_\_

### DESCRIPTION

24V Class 2 Power Supply 30W

For Residential Applications at 80% Load

### FEATURES & BENEFITS

7/8" Deep - Fits Where Space Is Limited

Triac Dimmable

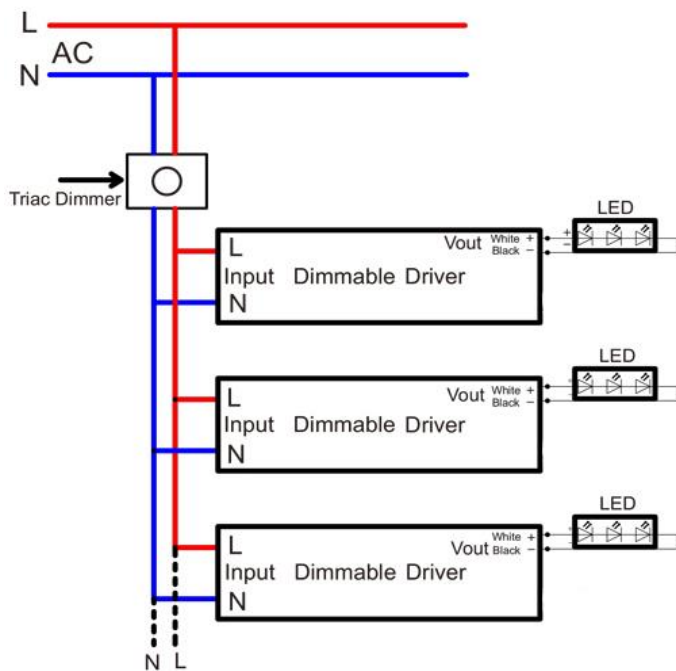
Wet Location Certified

### WIRING DIAGRAM

The below diagram is for information purpose only.

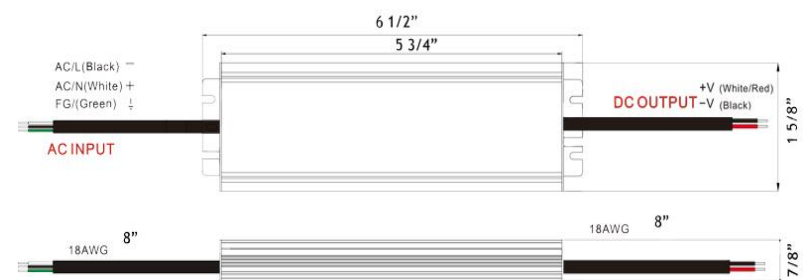
Always use the wiring diagram of dimmer manufacturer.

Do not connect other light fixtures in the same circuit.



SPECIFICATION	
Applications	LED Tape, 24V Ceiling Fixtures
Power	30 W
Input	120V
Output	24V DC
Dimmability	Triac down to 20%
Approved Location	Wet Location IP67
Ambient Temperature	-40°F (-40°C) to +104°F (+40°C)
Warranty	3 Year
Certification	c ETL us File # 501062

DIMENSIONS: 6 1/2" x 1 5/8" x 7/8"



### ORDERING GUIDE

Hard Wired **LBL-DC24V30W**

Plug-in **LBL-DC24V30W-PLUG**

### COMPLIANCE



### WARNING:

Ambient operating temperature is -40°F (-40°C) to +104°F (+40°C). Please mount in a shaded area or when mounted indoors install in a well-ventilated area. Failure to follow these instructions could lead to overheating, short life and void the warranty.

**Lotus LED Lights USA**  
250 H Street # 301, Blaine WA 98230 tel 360-200-5500  
Hainesport NJ, Naples FL, Vancouver WA

[www.LotusLEDLights.com](http://www.LotusLEDLights.com)  
mailing addresses  
warehouses

**Lotus LED Lights CANADA**  
1080 Cliveden Ave # 6, Delta BC V3M 6G6 tel 604-538-3090  
Delta BC & Mississauga ON