



www.Source1Parts.com

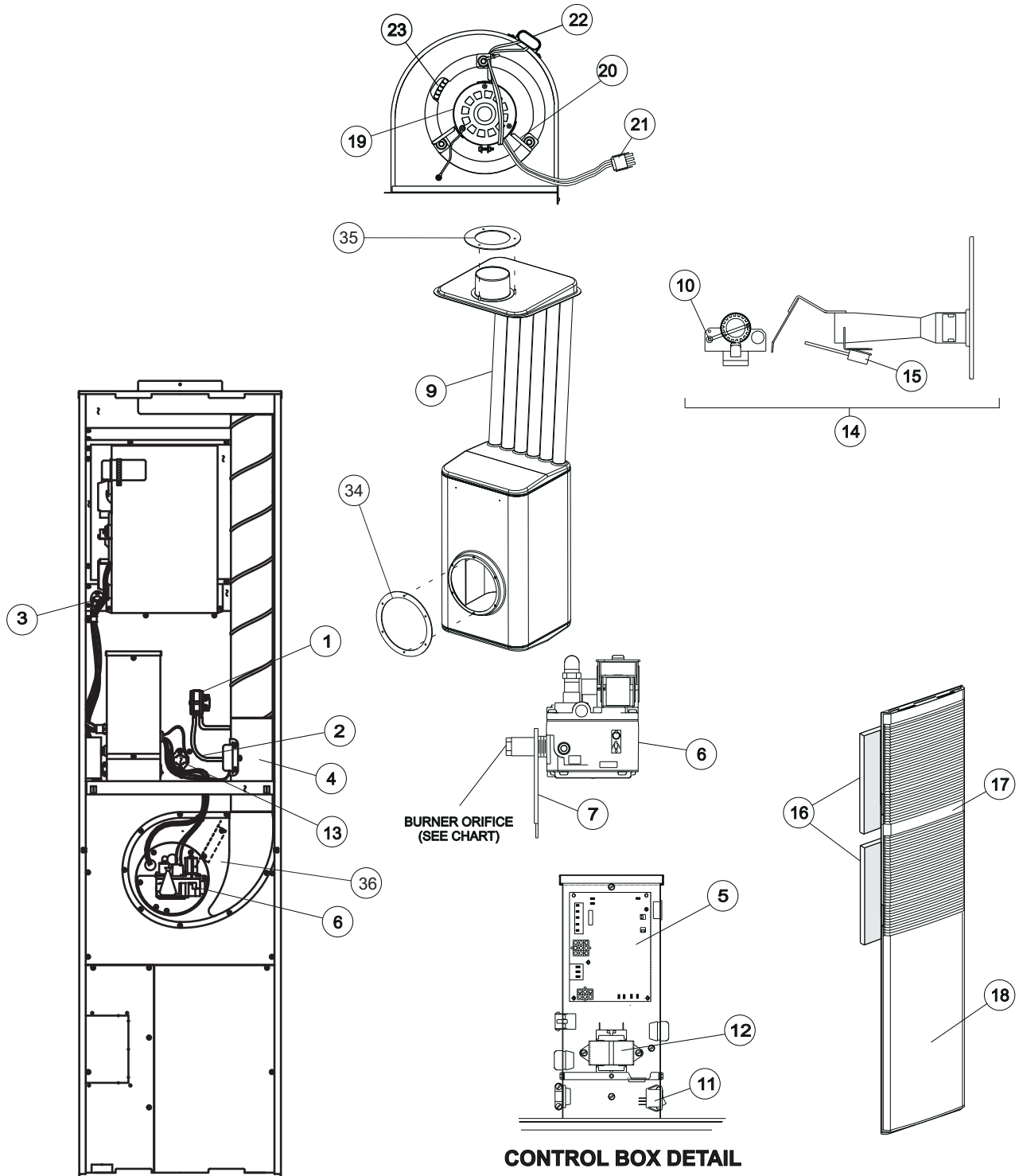
HVAC SERVICE PARTS

DGAA, DGAH SEALED COMBUSTION DOWNFLOW GAS FURNACE (STYLE D)

Supersedes:035-24568-001 Rev. C (0317)

035-24568-001 Rev. D (1117)

1 of 4



DGAA					
ITEM	DESCRIPTION	DGAA056BDTD	DGAA070BDTD	DGAA077BDTD	DGAA090BDTD
1	Switch, Pressure	S1-32435972000	S1-32435972000	S1-32435972000	S1-32435972000
2	Tubing Silicone (2 Ft. Req'd)	S1-02812499001	S1-02812499001	S1-02812499001	S1-02812499001
3	Limit Switch, Manual (Upper)	S1-02535358000	S1-02535358000	S1-02535358000	S1-02535358000
4	Assembly, Booster (w/Motor)	S1-37319801821	S1-37319801821	S1-37319801821	S1-37319801821
5	Control Board, Integrated	S1-03101932002	S1-03101932002	S1-03101932002	S1-03101932002
6	Valve, Gas	S1-02543267000	S1-02543267000	S1-02543267000	S1-02543267000
7	Bracket, Mounting (Gas Valve)	S1-37319801063	S1-37319801063	S1-37319801063	S1-37319801063
8					
9	Exchanger, Heat (w/Gaskets)	S1-37319804651	S1-37323792001	S1-37323792002	S1-37323792003
10	Sensor, Flame	S1-02535354000	S1-02535354000	S1-02535354000	S1-02535354000
11	Switch, System	S1-7681-3301	S1-7681-3301	S1-7681-3301	S1-7681-3301
12	Transformer (115-24V, 40 VA)	S1-2940A3541	S1-2940A3541	S1-2940A3541	S1-2940A3541
13	Switch, Limit	S1-02535380000	S1-02535380000	S1-02535381000	S1-02535381000
14	Burner Assembly, Auto Ignition (Includes items 10 & 15)	S1-37319801403	S1-37319801403	S1-37319801403	S1-37319801403
15	Ignitor, Hot Surface	S1-32541021000	S1-32541021000	S1-32541021000	S1-32541021000
16	Filter (2 Req'd) (16x20x1)	S1-1214-2511	S1-1214-2511	S1-1214-2511	S1-1214-2511
17	Panel, Door (Upper)	Accessory (See Page 4)			
18	Panel, Door (Lower, Tall)	7900-7611	7900-7611	7900-7611	7900-7611
19	Motor	S1-02436266000	S1-02436266000	S1-02436266000	S1-02436266000
20	Assembly, Motor Mount	S1-37319806100	S1-37319806100	S1-37319806100	S1-37319806100
21	Plug, Connector	S1-02521192000	S1-02521192000	S1-02521192000	S1-02521192000
22	Capacitor)	S1-02435813000	S1-02435813000	S1-02435813000	S1-02435813000
23	Wheel, Blower	S1-02619654703	S1-02619654703	S1-02619654703	S1-02619654703
24*	Top, Casing	S1-07319801342	S1-07319801342	S1-07319801342	S1-07319801342
25*	Diagram, Wiring	1067164	1067164	1067164	1067164
26*	Strike, Door	S1-02118364000	S1-02118364000	S1-02118364000	S1-02118364000
27*	Latch, Door	S1-02118365000	S1-02118365000	S1-02118365000	S1-02118365000
28*	Housing, Blower	S1-37323864001	S1-37323864001	S1-37323864001	S1-37323864001
29*	Gasket, Combustion Air Box	S1-01006900005	S1-01006900005	S1-01006900005	S1-01006900005
30*	Gasket, Burner	S1-01006742000	S1-01006742000	S1-01006742000	S1-01006742000
31*	Gasket, Booster Assembly	S1-01006900015	S1-01006900015	S1-01006900015	S1-01006900015
32					
33					
34	Gasket, Heat Exchanger	S1-01006900001	S1-01006900001	S1-01006900001	S1-01006900001
35	Gasket, Combustion Air	S1-7990-3011	S1-7990-3011	S1-7990-3011	S1-7990-3011
36	Plate, Throttle	S1-07319801443	S1-07319801443	S1-07319801443	S1-07319801443

NOTE: *Not ShownNew replacement parts shown in **bold** face type at the first printing of parts list dated 11/17.

Major components and suggested stocking items are shown with shaded item number.

“<” Across from row indicates a change in that row.

--- Not applicable to specified model.

DGAH			
ITEM	DESCRIPTION	DGAH056BBSD	DGAH077BBSD
1	Switch, Pressure	S1-32435972000	S1-32435972000
2	Tubing Silicone (2 Ft. Req'd)	S1-02812499001	S1-02812499001
3	Limit Switch, Manual (Upper)	S1-02535358000	S1-02535358000
4	Assembly, Booster (w/Motor)	S1-37319801821	S1-37319801821
5	Control Board, Integrated	S1-03101932002	S1-03101932002
6	Valve, Gas	S1-02543267000	S1-02543267000
7	Bracket, Mounting (Gas Valve)	S1-37319801063	S1-37319801063
8			
9	Exchanger, Heat (w/Gaskets)	S1-37319804651	S1-37323792002
10	Sensor, Flame	S1-02535354000	S1-02535354000
11	Switch, System	S1-7681-3301	S1-7681-3301
12	Transformer (115-24V, 40 VA)	S1-2940A3541	S1-2940A3541
13	Switch, Limit	S1-02535380000	S1-02535381000
14	Burner Assembly, Auto Ignition (Includes items 10 & 15)	S1-37319801403	S1-37319801403
15	Ignitor, Hot Surface	S1-32541021000	S1-32541021000
16	Filter (2 Req'd) (16x20x1)	S1-1214-2511	S1-1214-2511
17	Panel, Door (Upper)	Accessory (See Page 4)	
18	Panel, Door (Lower, Short)	7900-7671	7900-7671
19	Motor	S1-02431948000	S1-02431948000
20	Assembly, Motor Mount	---	---
21	Plug, Connector	S1-02521192000	S1-02521192000
22	Capacitor, Run	---	---
23	Wheel, Blower	S1-02619654703	S1-02619654703
24*	Top, Casing	S1-07319801342	S1-07319801342
25*	Diagram, Wiring	1067163	1067163
26*	Strike, Door	S1-02118364000	S1-02118364000
27*	Latch, Door	S1-02118365000	S1-02118365000
28*	Housing, Blower	S1-37323864001	S1-37323864001
29*	Gasket, Combustion Air Box	S1-01006900005	S1-01006900005
30*	Gasket, Burner	S1-01006742000	S1-01006742000
31*	Gasket, Booster Assembly	S1-01006900015	S1-01006900015
32			
33			
34	Gasket, Heat Exchanger	S1-01006900001	S1-01006900001
35	Gasket, Combustion Air	S1-7990-3011	S1-7990-3011
36	Plate, Throttle	S1-07319801443	S1-07319801443

NOTE: *Not Shown

New replacement parts shown in **bold** face type at the first printing of parts list dated 11/17.

Major components and suggested stocking items are shown with shaded item number.

"<" Across from row indicates a change in that row.

--- Not applicable to specified model.

3. DGAH with 5-Ton Blowers are provided as an accessory item and are not standard equipment from the factory. See page 4.

BURNER ORIFICE CHART (Normal Altitude Only, See Note 5)				
MODEL	056	070	077	090
NATURAL GAS	S1-9951-1361	S1-9951-1541	S1-9951-1611	S1-9951-1771
LP GAS	S1-9951-0821	S1-9951-0931	S1-9951-0981	S1-9951-1061

ACCESSORY PARTS LIST			
ACCESSORY	DESCRIPTION	DGAA	DGAH
	Door Panel (Upper)	7900-7631	7900-7631
5-Ton Blower Ass'y 7900-7751	Motor	S1-02431975000	S1-02431975000
	Run Capacitor (20 MFD)	S1-02420051700	S1-02420051700
	Motor Mount	S1-8680-5391	S1-8680-5391
	Blower Wheel	S1-02619654703	S1-02619654703

NOTES

- 5 Contact Customer Service for installations at altitudes over 2000 feet above sea level.
 "<" Across from row indicates a change in that row.
 --- Not Applicable to specified model.

TO ORDER AUTHORIZED FACTORY REPLACEMENT PARTS - Contact your Source1 HVAC Parts Distributor or visit our website at www.Source1Parts.com for a Distributor and Dealer listing.