



Features

Power (W)	5W
Lamp Type	SMD LED
Input Voltage	3.6-24 VDC
Lumens	450

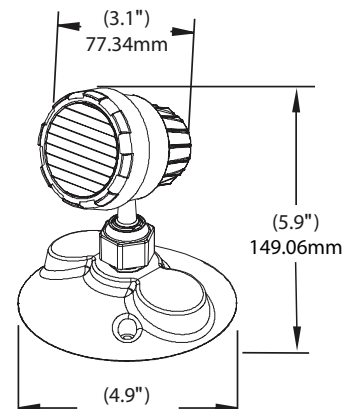
Description

- Injection-molded thermoplastic ABS housing
- UL 924 Compliant
- Wall and ceiling mounting
- Universal voltage LED remote compatible with any emergency lighting system (3.6-24VDC)
- Reverse polarity protection
- Super bright SMD LED 5W, 450 Lumens
- IP Class: IP20
- Insulation: II, Range: 80m2 / 860sq.ft
- Operating Temperature: 0 °C ~ 40 °C / 32 °F ~104 °F

Suitable for:

- ELRM-180-18RCS
- EL-180-18RCS
- EL-7006-RC
- EL-7061S
- EL-7062S
- EL-7064S
- EL-7066S

Technical Drawing



Ordering Information

Model	Description
EL-7030A5	Single 5W LED Remote Head (Universal Voltage), 40 per case



Canada
 25 Interchange Way Vaughan, ON L4K 5W3
 Telephone: (905) 660-4655 | Fax: (905) 660-4113

U.S.A.
 4575 Witmer Industrial Estates Niagara Falls, NY 14305
 Toll Free: (888) 660-4655 | Fax Toll Free: (888) 660-4113

www.mircom.com

This document is provided by Mircom Technologies Ltd., MGC Systems Corp., or their affiliates, subsidiaries and brands, for convenience or marketing only and does not describe products or services technically. For technical information refer to technical manuals. We do not make representations or warranties regarding this information, including as to completeness or accuracy. We may change these contents at any time and reserve all rights in the contents, including copyrights, trademarks and other intellectual property. All other trademarks and registered trademarks are properties of their respective owners.

CATALOG NUMBER 4169

Rev. 1