



## TECHNICAL SPECIFICATION

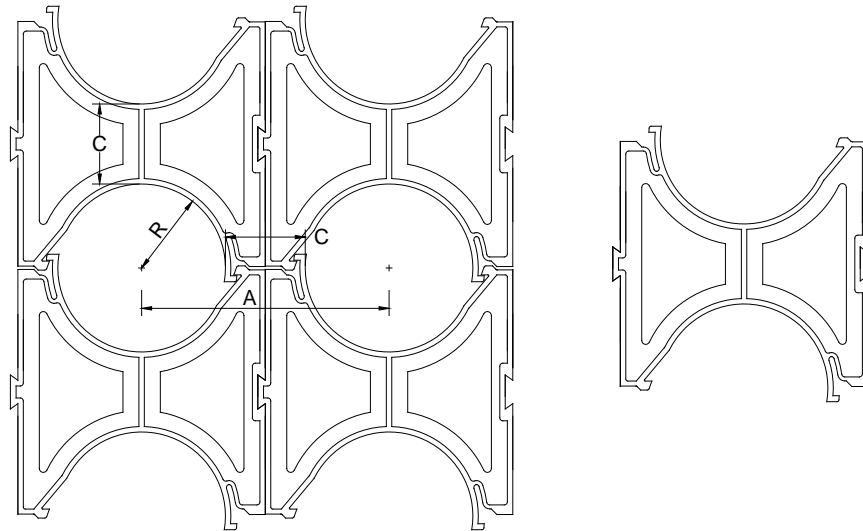
### NAPCO Duct Spacers Types RIS, RBS

#### SCOPE

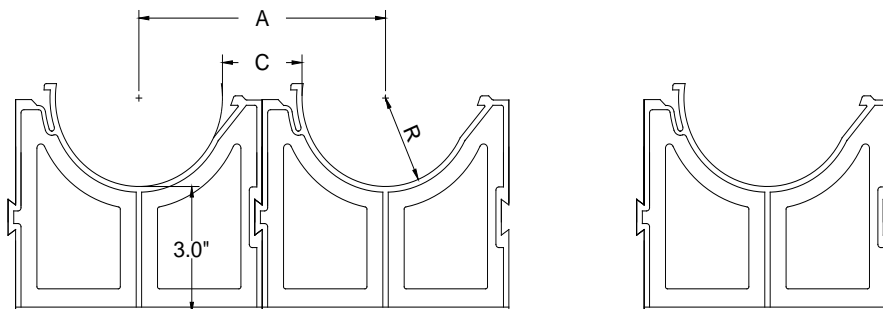
This specification covers the dimensions of NAPCO Intermediate and Base Spacers for 103mm (4") PVC Duct Pipe. These spacers are manufactured to be used with PVC Duct that meets CSA C22.2 No. 211.1.

#### PART DIMENSIONS

Part Number	R (mm)	A (mm)	C (mm)
RIS4015	53	145	38
RIS4020		157	51
RBS4015		145	38
RBS4020		157	51



**RIS-Intermediate Spacer**



**RBS-Base Spacer**