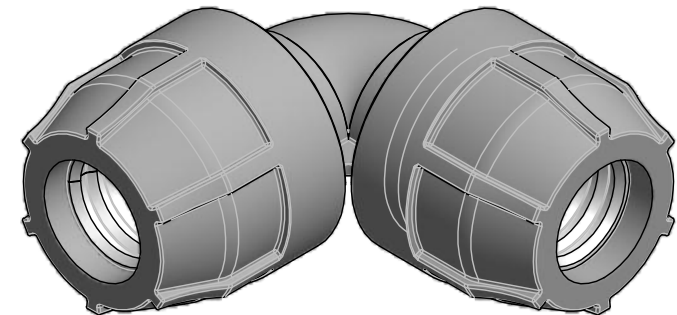


CODE	ND	L1	L	H1	H
03NKG20	1/2" => 20 mm	2.07	3.68	2.72	3.68
03NKG25	3/4" => 25 mm	2.15	3.94	2.87	3.94
03NKG32	1" => 32 mm	2.46	4.72	3.39	4.72
03NKG40	1" 1/4 => 40 mm	3.15	5.98	4.29	5.98
03NKG50	1" 1/2 => 50 mm	3.54	6.61	4.80	6.61
03NKG63	2" => 63 mm	4.33	7.91	5.79	7.91
03NKG75	2" 1/2 => 75 mm	4.76	9.29	6.69	9.29
03NKG90	3" => 90 mm	5.67	11.10	8.15	11.10
03NKG110	4" => 110 mm	6.91	13.05	9.57	13.05



NIRON



ITEM: **NKG**

DESC: 90° ELBOW - COMPRESSION FITTINGS



DRAWING No:
NI10216

SHEET OF	REV.
1 1	-1

www.nupiamericas.com - info@nupiamericas.com

All dimensions have to be considered in inches with 5% tolerance if not otherwise mentioned excluding values as per standard ASTM F2389