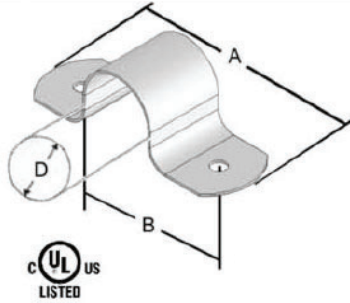




National Fire Equipment Ltd.

MODEL 070 CPVC TWO-HOLE PIPE STRAPS

Fig. 70
CPVC Two-Hole
Pipe Strap



FUNCTION: Designed to support CPVC pipe horizontally from the side or bottom of beam. Fig.070 can only be used as a guide on top of beam or on vertical piping. Fig. 070 also acts as a restrainer to prevent the thrust of a sprinkler head during activation when mounted on top of structure. Fig. 070 may be installed onto wood using supplied fasteners or into, minimum 20 gauge, steel using two 1/4" X 1" tek type screws. Features flared edges to protect piping as it slides through the installed fitting and retaining dimples to allow for easy installation onto pipe.

SIZE: 3/4" (20) through 2" (50) CPVC pipe

FINISH: Preogalvanized

MATERIAL: Carbon Steel

APPROVALS: Underwriters Laboratories listed for US and Canada

ORDERING: Specify pipe size and model number.

PIPE SIZE		A		B		D NOMINAL		MATERIAL SIZE		BOX QTY.	MAX SPACING		APPX. WT.	
											ft.	m.	lbs.	kg
3/4	(20)	3 1/16	(77.79)	2 3/16	(55.56)	1.050	(26.67)	20ga x 1 1 1/8	(.89 x 28.58)	100	5.5	(1.68)	7.50	(3.40)
1	(25)	3 3/8	(85.73)	2 1/2	(63.50)	1.315	(33.40)	20ga x 1 1 1/8	(.89 x 28.58)	100	6	(1.83)	8.20	(3.72)
1 1/4	(32)	3 3/4	(95.25)	2 7/8	(73.03)	1.660	(42.16)	20ga x 1 1 1/8	(.89 x 28.58)	100	6.5	(1.98)	9.40	(4.26)
1 1/2	(40)	4 1/8	(104.78)	3 1/4	(82.55)	1.900	(48.26)	20ga x 1 1 1/8	(.89 x 28.58)	100	7	(2.13)	10.40	(4.72)
2	(50)	4 3/8	(111.13)	3 1/2	(88.90)	2.375	(60.33)	20ga x 1 1 1/8	(.89 x 28.58)	100	8	(2.44)	11.90	(5.40)

20ga. = 0.035" nominal