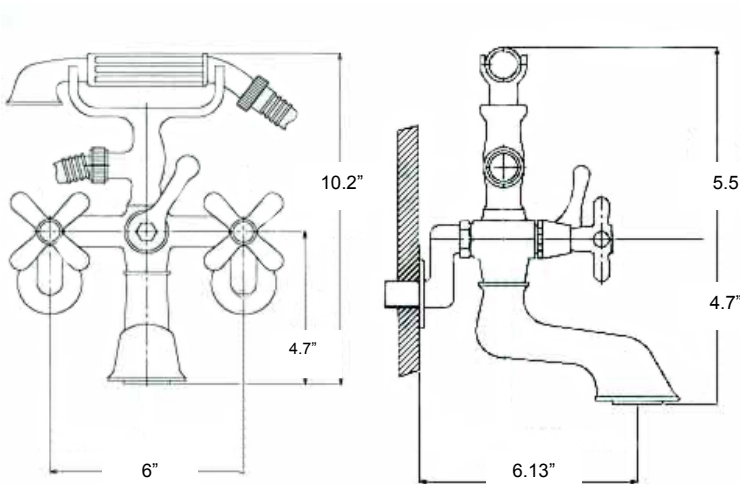


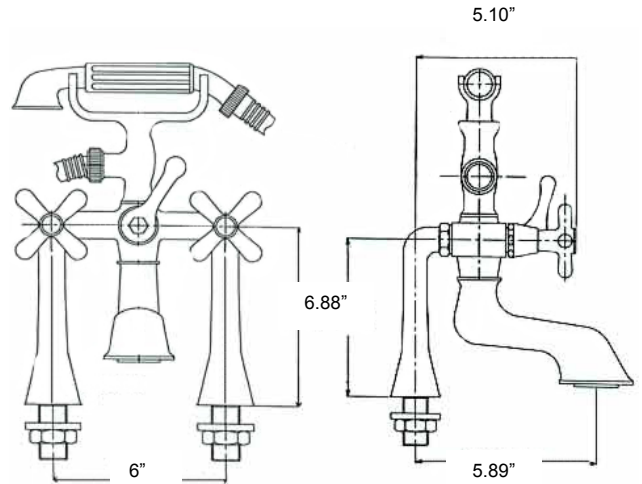
## 800 Series (w/ swivel unions)

Models: 800CSA, 803CSA, 808CSA



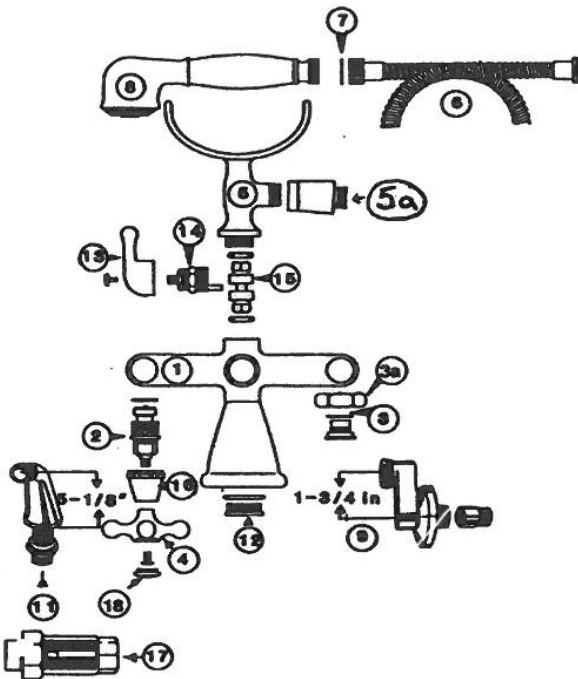
## 800P Series (w/ deck mount pillars)

Models: 800CSA/P, 803CSA/P, 808CSA/P



- Swivel unions adjust from 3.5"-9"
- 1/2" M connections to supplies
- Handshower flow rate: 8.3L/min max

- Pillars have 1/2" M connections to supplies



### Parts Breakdown:

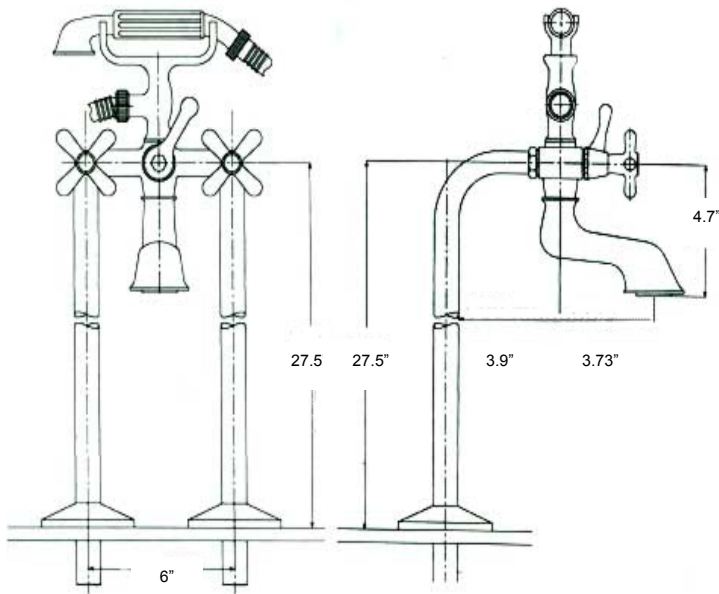
All component model numbers are chrome finish only, for all other finishes, please indicate the finish on your purchase order.

1. 800LC (Faucet body only w/ cross handles) / 800LC/L (faucet body only w/ lever handles)
2. 00033RC (cold ceramic cartridge) / 00033RH (hot ceramic cartridge)
3. 800/106S (Seat & washer)
- 3a. 800/1060N (3/4" swivel nut)
4. 800/6200 (cross handle), 800/6016 (white lever handle), 800/6010 (metal lever handle)
5. 800/E809 (Faucet cradle)
- 5a. V000275 (Vacuum breaker)
6. 91300 (59" metal hose)
7. 7 (Flow restrictor)
8. 800/1021 (Chrome and white handshower)
9. 555 (Adjustable swivel unions)
11. 9601 - 7" tall deck pillars
12. 800/1064 (Aerator)
13. 800/1047 (Diverter handle & screw)
14. 800/1060S (Diverter stem)
15. 800/1059 (Diverter piston)
16. 800/6200F (Cartridge flange cover)
18. 800/6200B (Index button)

All measurements are approximate and may change without notice. It is recommended to have product on-site prior to installing plumbing rough-in.

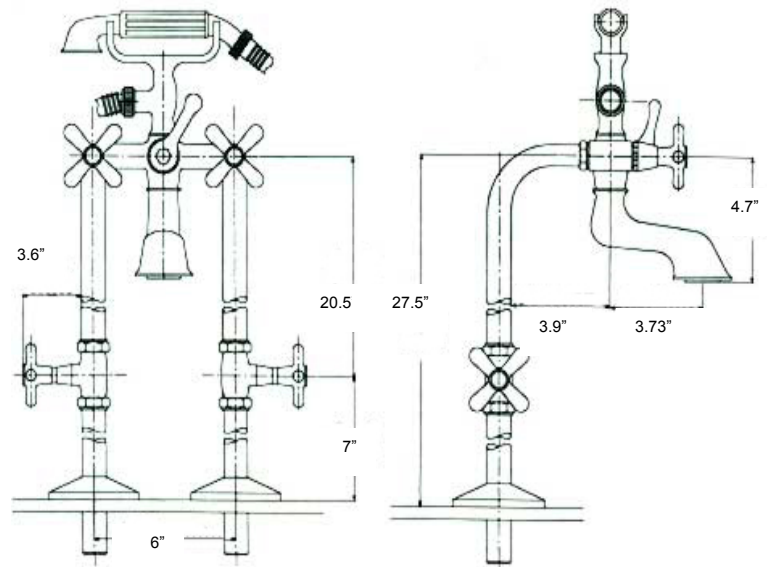
## 800/9650 Series (freestanding NO shutoffs)

Models: 800/9650, 803/9653, 808/9658



## 800/9670 Series (w/ shutoff valves)

Models: 800/9670, 803/9673, 808/9678



### IMPORTANT:

Overall height of freestanding risers = 31.5"  
Exposed height of freestanding risers = 27.5"

### IMPORTANT: All 9670 series floor risers come with pre-installation kits

Overall height of freestanding risers = 31.5"  
Exposed height of freestanding risers = 27.5"

## Parts Breakdown:

All component model numbers are chrome finish only, for all other finishes, please indicate the finish on your purchase order.

### Bath faucet portion only:

1. 800LC (Faucet body only w/ cross handles) / 800LC/L (faucet body only w/ lever handles)
2. 00033RC (cold ceramic cartridge) / 00033RH (hot ceramic cartridge)
3. 800/106S (Seat & washer)
- 3a. 800/1060N (3/4" swivel nut)
4. 800/6200 (cross handle), 800/6016 (white lever handle), 800/6010 (metal lever handle)
5. 800/E809 (Faucet cradle)
- 5a. V00275 (Vvacuum breaker)
6. 91300 (59" metal hose)
7. 7 (Flow restrictor)
8. 800/1021 (Chrome and white handshower)
9. 555 (Adjustable swivel unions)
12. 800/1064 (Aerator)
13. 800/1047 (Diverter handle & screw)
14. 800/1060S (Diverter stem)
15. 800/1059 (Diverter piston)
16. 800/6200F (Cartridge flange cover)
18. 800/6200B (Index button)

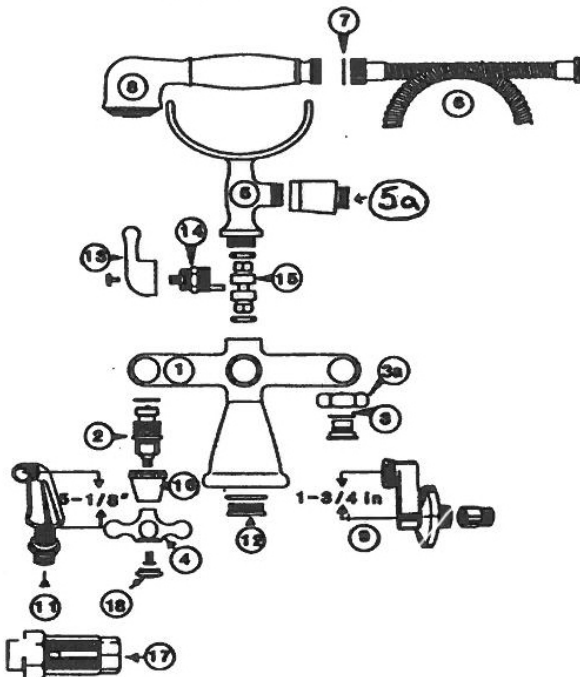
### Freestanding floor riser (no shutoff) only:

9650 – Set of freestanding tubes

### Freestanding floor risers (w/ shutoff) only:

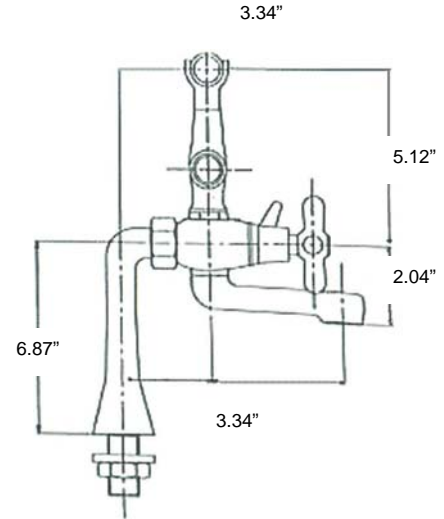
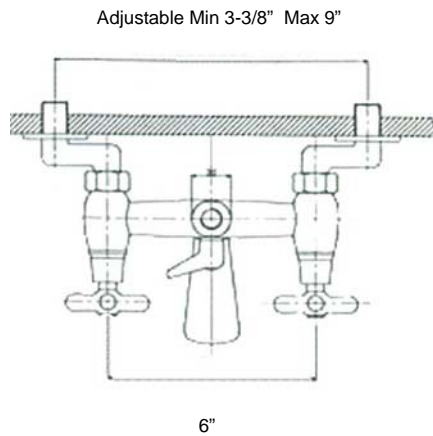
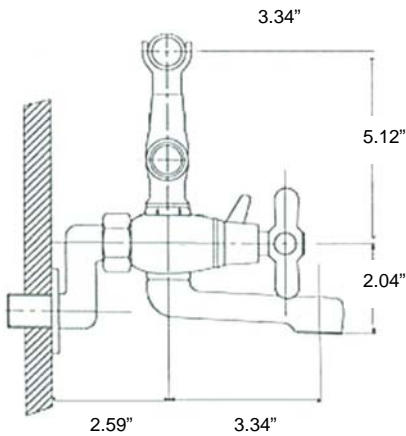
- 9670CP/R – 20.5" Top half tubes only (includes shutoff valve)
- 9670CP/K – 10" tube for pre-installation kit
- 96FN – 3/4" Brass floor flange nut
- 800/96FL – Floor escutcheon
- 07146R – Hot / cold cartridge for valves
- 800/6200F – Cartridge flange cover
- 800/6200 – Cross handle for shutoff valve

All measurements are approximate and may change without notice. It is recommended to have product on-site prior to installing plumbing rough-in.



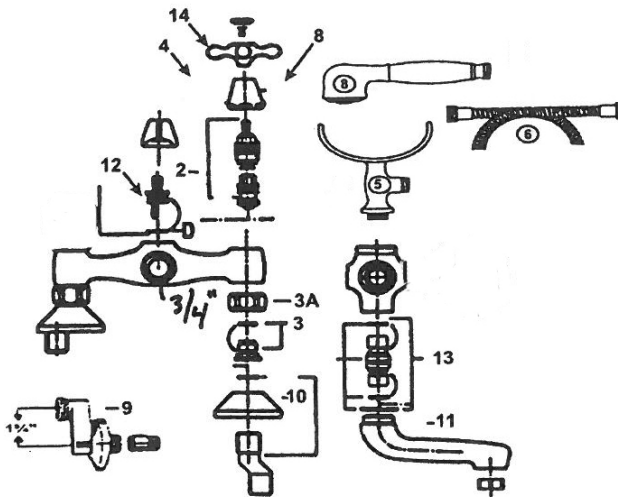
## 2200X Series (w/ swivel unions)

Models: 2200X/6820, 2203X/6823, 2207X/6827



- Swivel unions adjust from 3.5"-9"
- 1/2" M connections to supplies
- Handshower flow rate: 8.3L/min max

### Parts Breakdown:



All component model numbers are chrome finish only, for all other finishes, please indicate the finish on your purchase order.

1. 2200X (Faucet body only w/ cross handles)
2. 2200X/07146 (hot / cold cartridges)
3. 2200X/1060S (Seat & washer)
- 3a. 2200X/1060N (3/4" swivel nut)
4. 2200X/6200 (cross handle), **800/6010** (metal lever handle)
5. 9701 (Faucet cradle)
6. 91300 (59" metal hose)
8. 2200X/201 (Chrome and white handshower)
9. 555 (Adjustable swivel unions)
11. 2200X/1040 (Spout)
12. 2200X/1063 (Diverter stem)
13. 2200X/1059 (Diverter piston)
14. 2200X/6200B (Index button)

Deck Pillars only model 9601 – 7" tall deck pillars

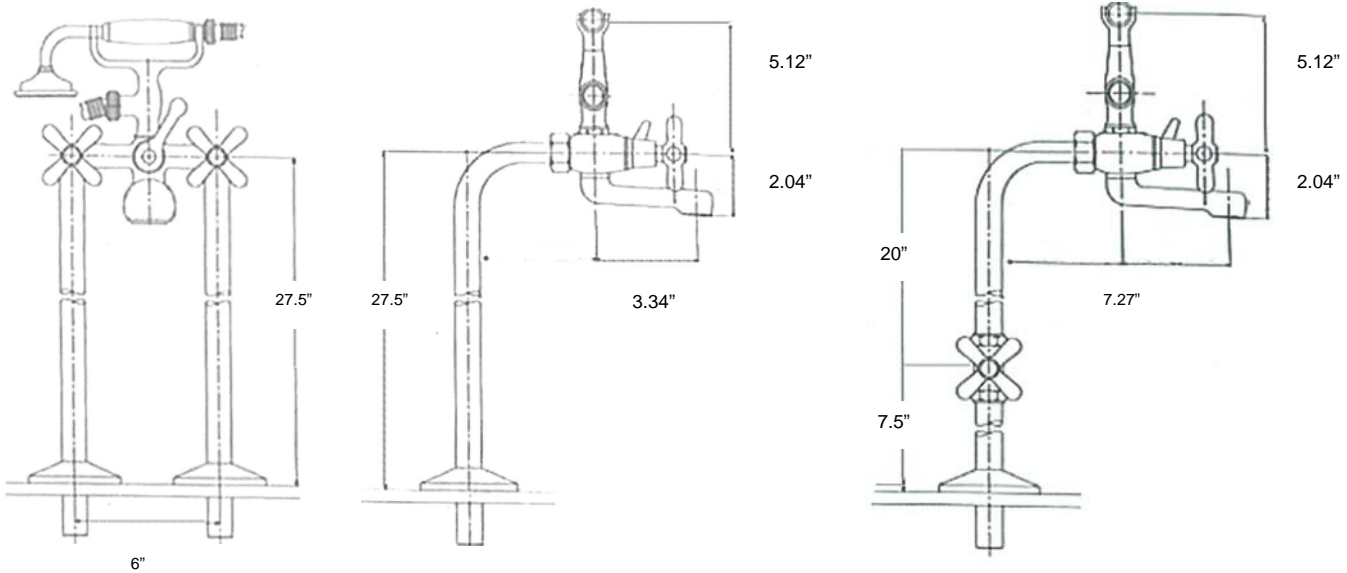
All measurements are approximate and may change without notice. It is recommended to have product on-site prior to installing plumbing rough-in.

## 2200X/9650 Series (freestanding NO shutoffs)

Models: 2200X/6820/9650, 2203X/6823/9653, 2208X/6828/9658

## 2200X/9670 Series (w/ shutoff valves)

Models: 2200X/6820/9670, 2203X/6823/96753, 2208X/6828/9678



### IMPORTANT:

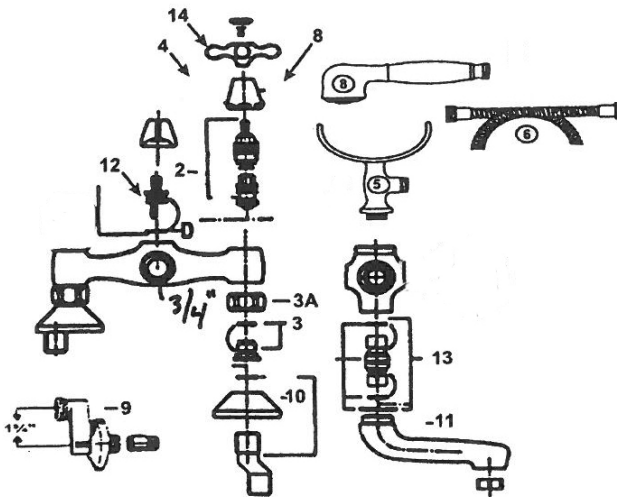
Overall height of freestanding risers = 31.5"  
Exposed height of freestanding risers = 27.5"

### IMPORTANT: All 9670 series floor risers come with pre-installation kits

Overall height of freestanding risers = 31.5"  
Exposed height of freestanding risers = 27.5"

### Parts Breakdown:

All component model numbers are chrome finish only, for all other finishes, please indicate the finish on your purchase order.



1. 2200X (Faucet body only w/ cross handles)
2. 2200X/07146 (hot / cold cartridges)
3. 2200X/1060S (Seat & washer)
- 3a. 2200X/1060N (3/4" swivel nut)
4. 2200X/6200 (cross handle), **800/6010** (metal lever handle)
5. 9701 (Faucet cradle)
6. 91300 (59" metal hose)
8. 2200X/201 (Chrome and white handshower)
9. 555 (Adjustable swivel unions)
11. 2200X/1040 (Spout)
12. 2200X/1063 (Diverter stem)
13. 2200X/1059 (Diverter piston)
14. 2200X/6200B (Index button)

#### Freestanding floor risers (no shutoff) only:

**9650** – Set of 31.5" freestanding tubes w/ hardware kit

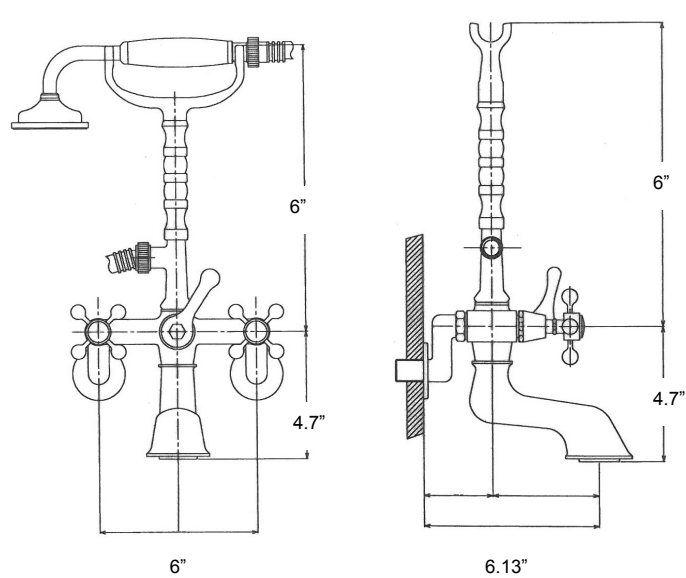
#### Freestanding floor risers (w/ shutoff) only:

- 9670CP/R** – 20.5" Top half tubes only (includes shutoff valve)
- 9670CP/K** – 10" tube for pre-installation kit
- 96FN** – 3/4" Brass floor flange nut
- 800/96FL** – Floor escutcheon
- 07146R** – Hot / cold cartridge for valves
- 800/6200F** – Cartridge flange cover
- 800/6200** – Cross handle for shutoff valve

All measurements are approximate and may change without notice. It is recommended to have product on-site prior to installing plumbing rough-in.

## N800 Series (w/ swivel unions)

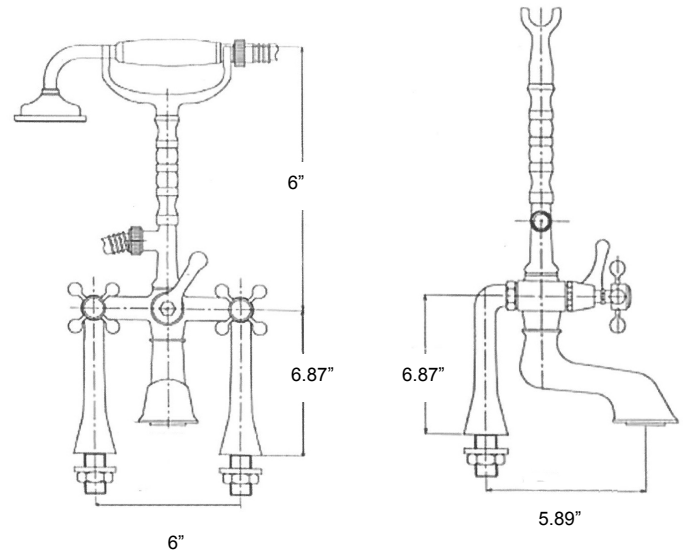
Models: N800CSA, N803CSA



- Swivel unions adjust from 3.5"-9"
- 1/2"M connections to supplies
- Handshower flow rate: 8.3L/min max

## N800P Series (w/ deck mount pillars)

Models: N800P, N803/P



- Pillars have 1/2"M connections to supplies

### Parts Breakdown:

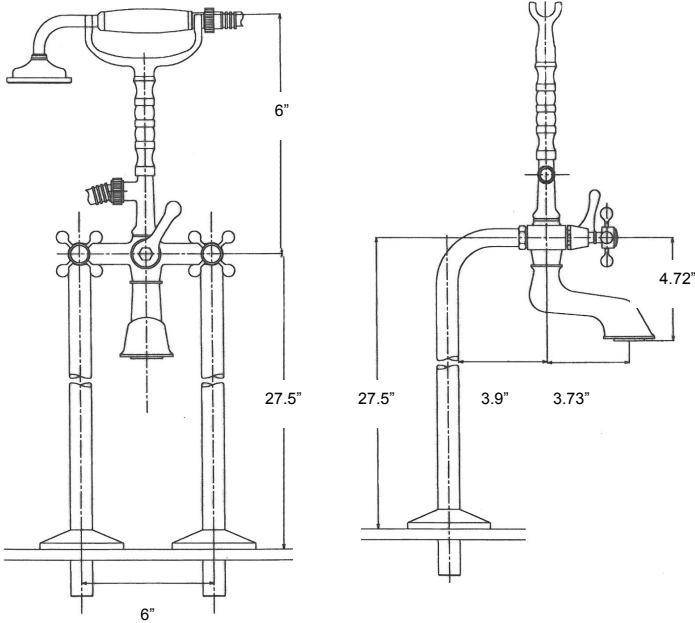
All component model numbers are chrome finish only, for all other finishes, please indicate the finish on your purchase order.

1. CN800 (Faucet body only w/ cross handles) / CN800/L (faucet body w/ lever handles)
2. 00033RC (cold ceramic cartridge) / 00033RH (hot ceramic cartridge)
3. 800/1060S (Seat & washer)
- 3a. 800/1060N (3/4" swivel nut)
4. N800/6200 (cross handle), 800/6010 (metal lever handle)
5. N800/E809 (Faucet cradle)
- 5a. V000275 (Vacuum breaker)
6. 91300 (59" metal hose)
7. 7 (Flow restrictor)
8. N800/1021 (Chrome and white handshower)
9. 555 (Adjustable swivel unions)
11. 9601 - 7" tall deck pillars
12. 800/1064 (Aerator)
13. 800/1047 (Diverter handle & screw)
14. N800/1060S (Diverter stem)
15. N800/1059 (Diverter piston)
16. N800/6200F (Cartridge flange cover)
18. N800/6200B (Index button)

All measurements are approximate and may change without notice. It is recommended to have product on-site prior to installing plumbing rough-in.

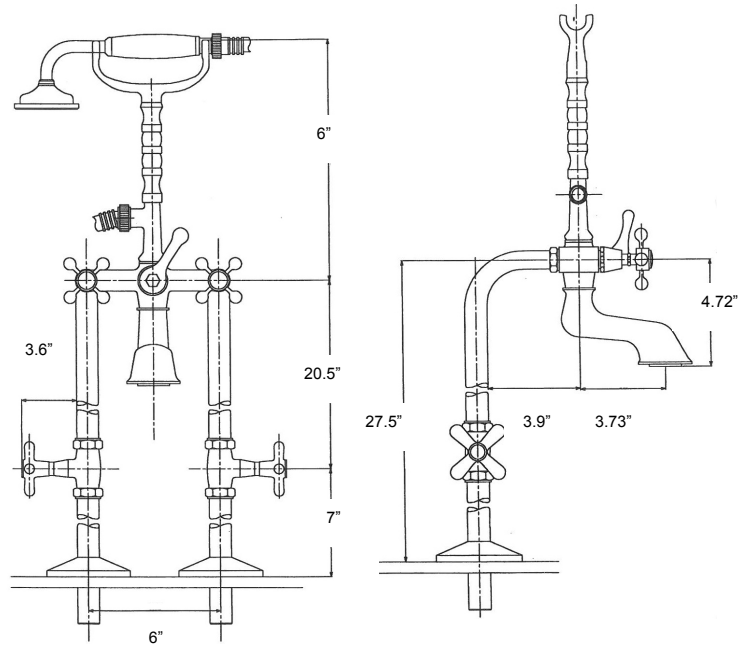
## N800/9650 Series (freestanding NO shutoffs)

Models: N800/9650, N803/9653



## N800/9670 Series (w/ shutoff valves)

Models: N800/9670, N803/9673



### IMPORTANT:

Overall height of freestanding risers = 31.5"  
Exposed height of freestanding risers = 27.5"

### IMPORTANT: All 9670 series floor risers come with pre-installation kits

Overall height of freestanding risers = 31.5"  
Exposed height of freestanding risers = 27.5"

### Parts Breakdown:

All component model numbers are chrome finish only, for all other finishes, please indicate the finish on your purchase order.

#### Bath faucet portion only:

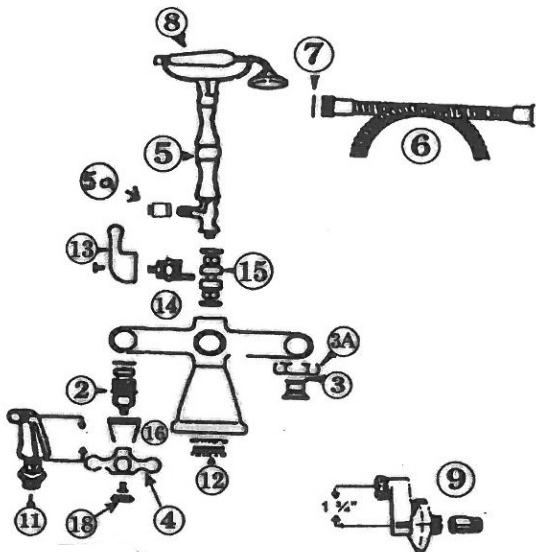
1. CN800 (Faucet body only w/ cross handles) / CN800/L (faucet body only w/ lever handles)
2. 00033RC (cold ceramic cartridge) / 00033RH (hot ceramic cartridge)
3. 800/106S (Seat & washer)
- 3a. 800/1060N (3/4" swivel nut)
4. N800/6200 (cross handle), 800/6016 (white lever handle), 800/6010 (metal lever handle)
5. N800/E809 (Faucet cradle)
- 5a. V00275 (Vvacuum breaker)
6. 91300 (59" metal hose)
7. 7 (Flow restrictor)
8. N800/1021 (Chrome and white handshower)
9. 555 (Adjustable swivel unions)
12. 800/1064 (Aerator)
13. 800/1047 (Diverter handle & screw)
14. 800/1060S (Diverter stem)
15. 800/1059 (Diverter piston)
16. 800/6200F (Cartridge flange cover)
18. 800/6200B (Index button)

#### Freestanding floor risers (no shutoff) only:

9650 – Set of freestanding tubes

#### Freestanding floor risers (w/ shutoff) only:

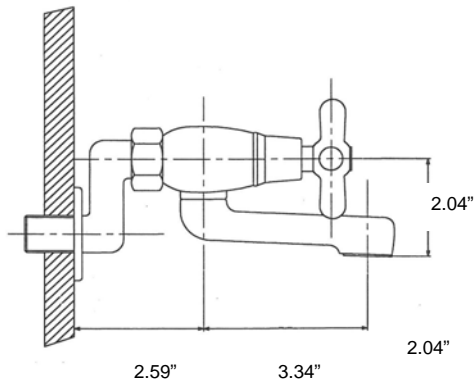
- 9670CP/R – 20.5" Top half tubes only (includes shutoff valve)
- 9670CP/K – 10" tube for pre-installation kit
- 96FN – 3/4" Brass floor flange nut
- 800/96FL – Floor escutcheon
- 07146R – Hot / cold cartridge for valves
- 800/6200F – Cartridge flange cover
- 800/6200 – Cross handle for shutoff valve



All measurements are approximate and may change without notice. It is recommended to have product on-site prior to installing plumbing rough-in.

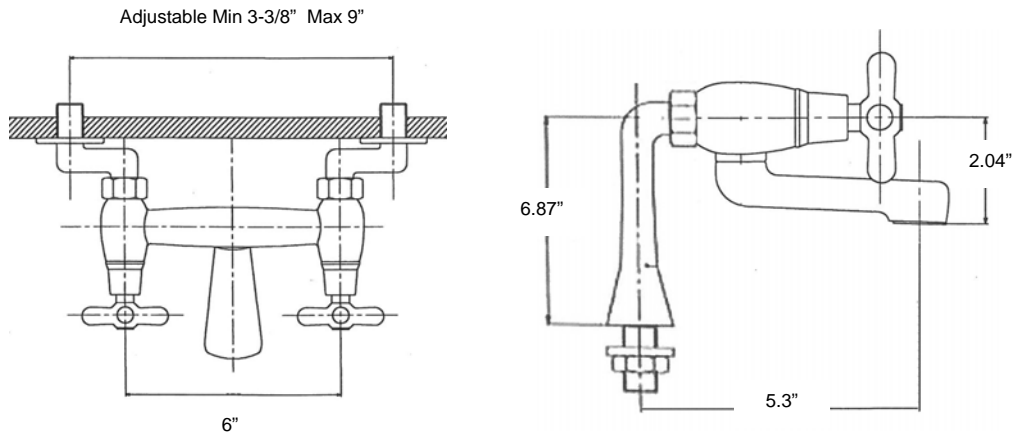
## 850 Series (w/ swivel unions)

Models: 850CSA, 853CSA, 857CSA

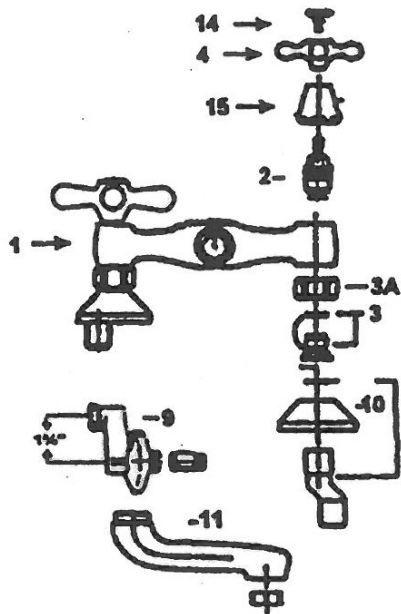


## 850/P Series (w/ deck pillars)

Models: 850CSA/P, 853CSA/P, 857CSA/P



- Swivel unions adjust from 3,5"-9"
- 1/2"M connections to supplies



### Parts Breakdown:

All component model numbers are chrome finish only, for all other finishes, please indicate the finish on your purchase order.

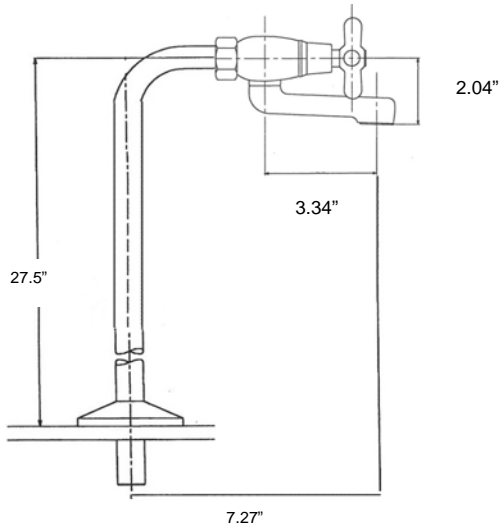
1. 2200X (Faucet body only w/ cross handles)
2. 850/07146 (hot / cold cartridges)
3. 2200X/1060S (Seat & washer)
- 3a. 2200X/1060N (3/4" swivel nut)
4. 2200X/6200 (cross handle),
9. 555 (Adjustable swivel unions)
11. 2200X/1040 (Spout)
14. 2200X/6200B (Index button)

Deck Pillars only model 9601 – 7" tall deck pillars

All measurements are approximate and may change without notice. It is recommended to have product on-site prior to installing plumbing rough-in.

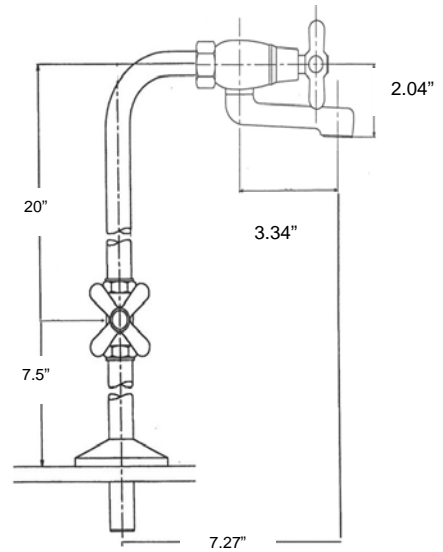
## 850/9650 Series (freestanding NO shutoffs)

Models: 850/9650, 853/9653



## 850/9670 Series (w/ shutoff valves)

Models: 850/9670, 853/9673



### IMPORTANT:

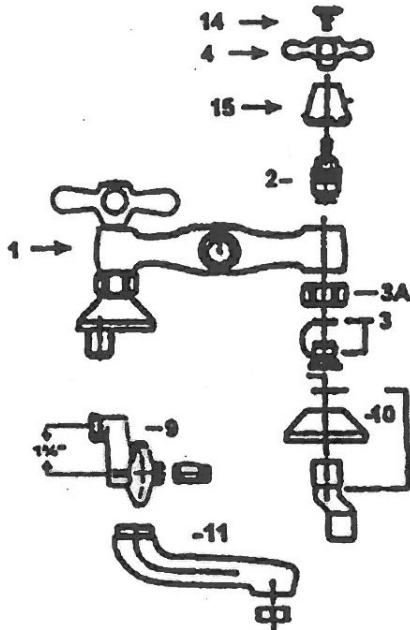
Overall height of freestanding risers = 31.5"  
Exposed height of freestanding risers = 27.5"  
Faucet / Riser are 6" on centre

### IMPORTANT: All 9670 series floor risers come with pre-installation kits

Overall height of freestanding risers = 31.5"  
Exposed height of freestanding risers = 27.5"

### Parts Breakdown:

All component model numbers are chrome finish only, for all other finishes, please indicate the finish on your purchase order.



1. C850 (Faucet body only w/ cross handles)
2. 850/07146 (hot / cold cartridges)
3. 2200X/1060S (Seat & washer)
- 3a. 2200X/1060N (3/4" swivel nut)
4. 2200X/6200 (cross handle),
9. 555 (Adjustable swivel unions)
11. 2200X/1040 (Spout)
14. 2200X/6200B (Index button)

#### Freestanding floor risers (no shutoff) only:

9650 – Set of 31.5" freestanding tubes w/ hardware kit

#### Freestanding floor risers (w/ shutoff) only:

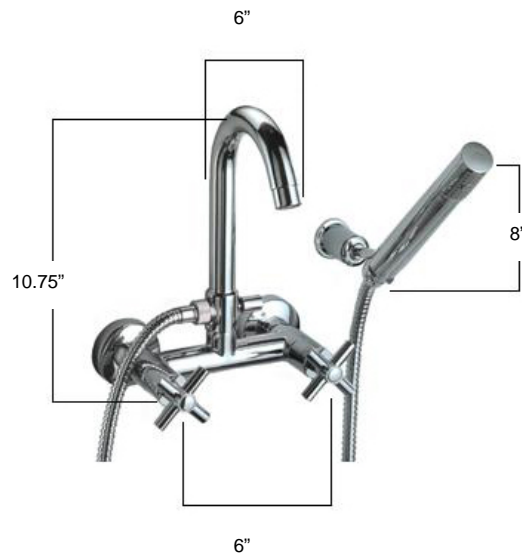
- 9670CP/R – 20.5" Top half tubes only (includes shutoff valve)
- 9670CP/K – 10" tube for pre-installation kit
- 96FN – 3/4" Brass floor flange nut
- 800/96FL – Floor escutcheon
- 07146R – Hot / cold cartridge for valves
- 800/6200F – Cartridge flange cover
- 800/6200 – Cross handle for shutoff valve

All measurements are approximate and may change without notice. It is recommended to have product on-site prior to installing plumbing rough-in.

## 722 Series



## 701 Series



## Parts Breakdown:

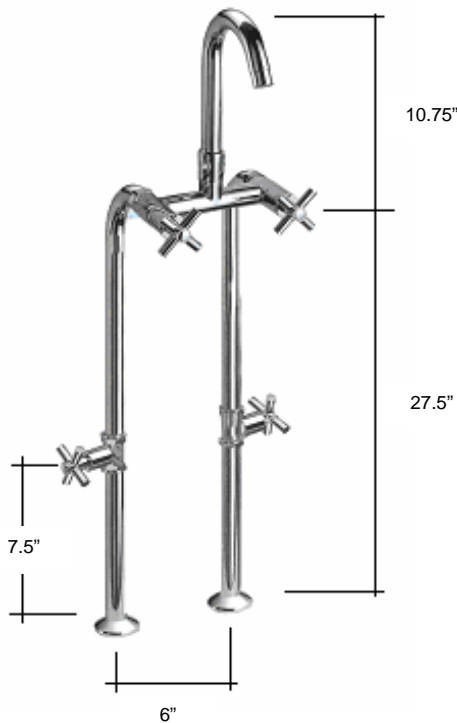
All parts listed are in chrome finish, please specify other finishes when ordering.

### 722 Model:

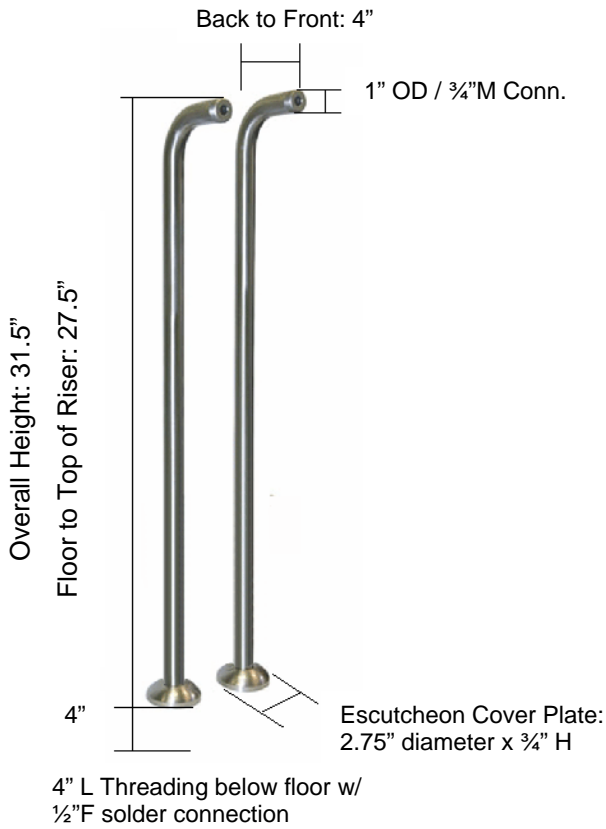
Handles: 700/6200  
Cold Cartridge: 00033RC  
Hot Cartridge: 00033RH  
Cartridge Covers: 700/1055F  
Spout Only: 722/1040

### 701 Model:

Handles: 700/6200  
Cold Cartridge: 00033RC  
Hot Cartridge: 00033RH  
Cartridge Covers: 700/1055F  
Spout Only: 701/1040  
Hose: 91300  
Handshower: B00250CP



All measurements are approximate and may change without notice. It is recommended to have product on-site prior to installing plumbing rough-in.

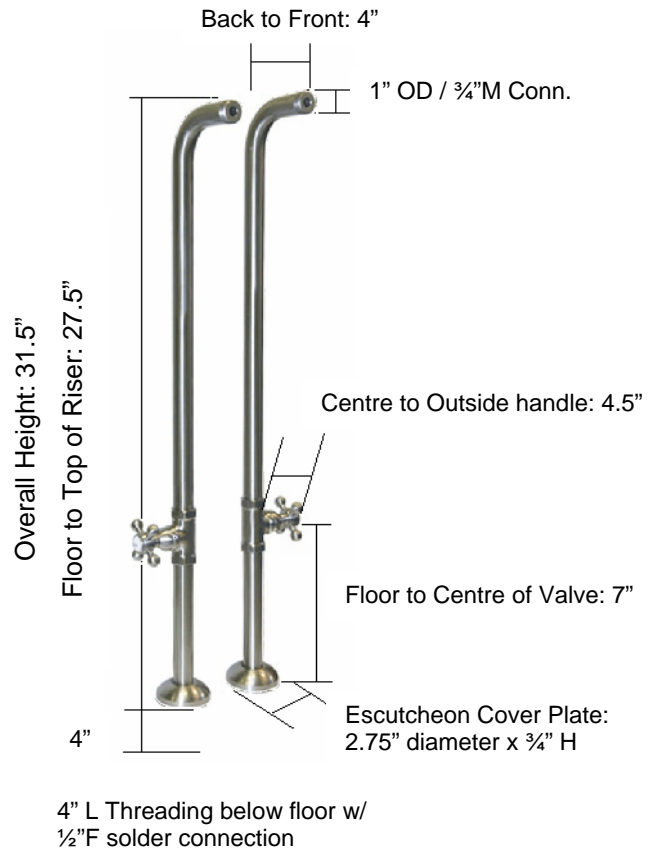


**Parts Breakdown:**

All parts listed are in chrome finish, please specify other finishes when ordering.

**9650 Model:**

- Floor riser tube only: 9650
- Escutcheon: 800/96FL
- 3/4" Brass lock nut: 96FN (sold per each)



**Parts Breakdown:**

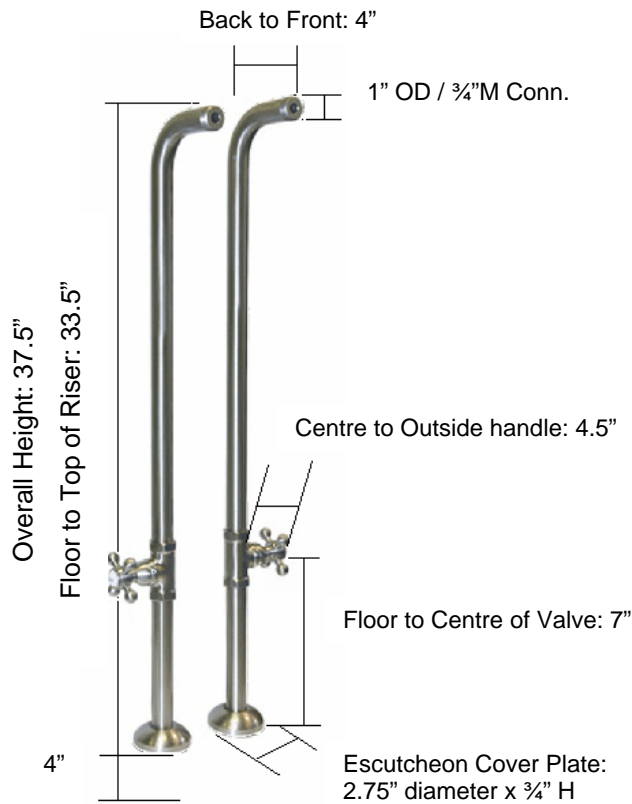
All parts listed are in chrome finish, please specify other finishes when ordering.

**9670 Model:**

- Top half riser tube only: 9670CP/R (per set) (includes shutoff valve w/ hardware)
- Escutcheon: 800/96FL (per each)
- 3/4" Brass lock nut: 96FN (per each)
- 10" Bottom tube: 9670CP/T (per each)
- Cross handle: 800/6200
- Cartridges:
  - 00033RH (hot side)
  - 00033RC (cold side)

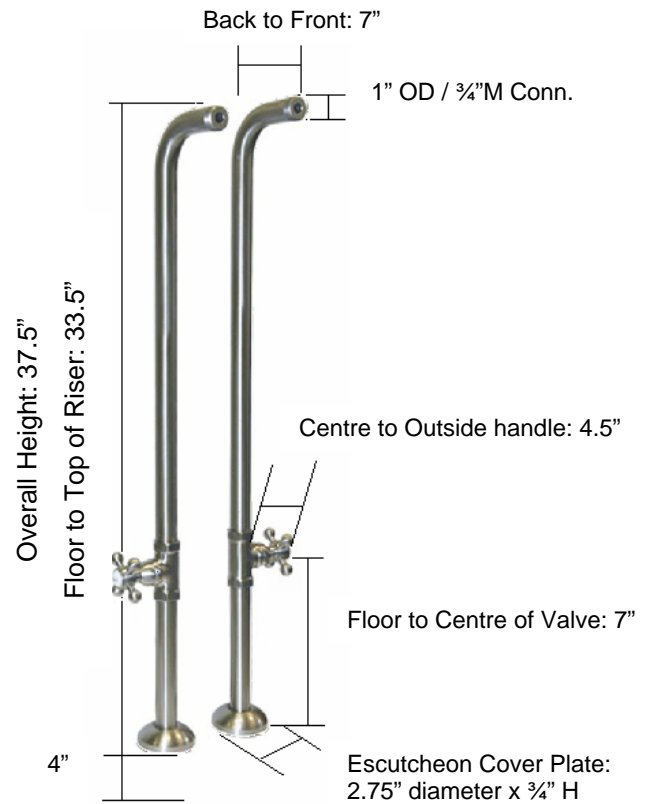
All measurements are approximate and may change without notice. It is recommended to have product on-site prior to installing plumbing rough-in.

## Models: 9670M, 9673M (XL Series)



4" L Threading below floor w/  
1/2" F solder connection

## Models: 9670MEX, 9673MEX (EX Series)



4" L Threading below floor w/  
1/2" F solder connection

### Parts Breakdown:

All parts listed are in chrome finish, please specify other finishes when ordering.

#### 9670M Model:

Top half riser tube only: 9670CP/M (per set)  
(includes shutoff valve w/ hardware)

Escutcheon: 800/96FL (per each)  
3/4" Brass lock nut: 96FN (per each)  
10" Bottom tube: 9670CP/T (per each)  
Cross handle: 800/6200  
Cartridges:  
00033RH (hot side)  
00033RC (cold side)

### Parts Breakdown:

All parts listed are in chrome finish, please specify other finishes when ordering.

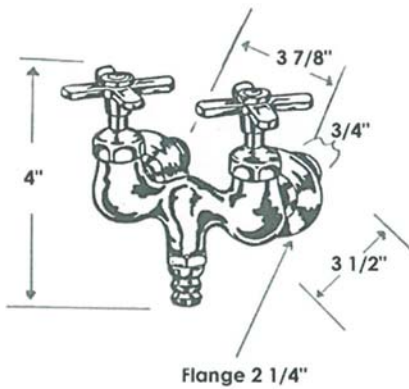
#### 9670MEX Model:

Top half riser tube only: 9670CP/MEX (per set)  
(includes shutoff valve w/ hardware)

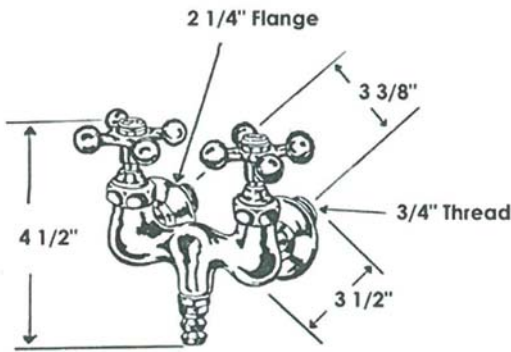
Escutcheon: 800/96FL (per each)  
3/4" Brass lock nut: 96FN (per each)  
10" Bottom tube: 9670CP/T (per each)  
Cross handle: 800/6200  
Cartridges:  
00033RH (hot side)  
00033RC (cold side)

All measurements are approximate and may change without notice. It is recommended to have product on-site prior to installing plumbing rough-in.

### 1003 Series



### 1003H Series



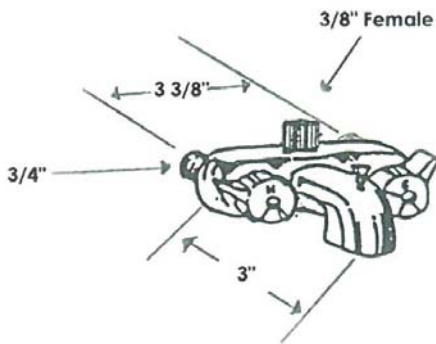
### Parts Breakdown:

All parts listed are in chrome finish, please specify other finishes when ordering.

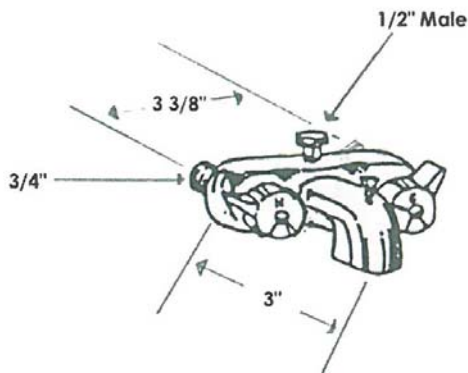
**1003H Model:**  
 Handles: 1003H-6200  
 Cartridges: 1003H  
 Large Flange: 1003H-96FL

**1003 Model:**  
 Handles: 1003-6200  
 Cartridges: 1003H  
 Large Flange: 1003H-96FL

### 1020R Series



### 1020 Series



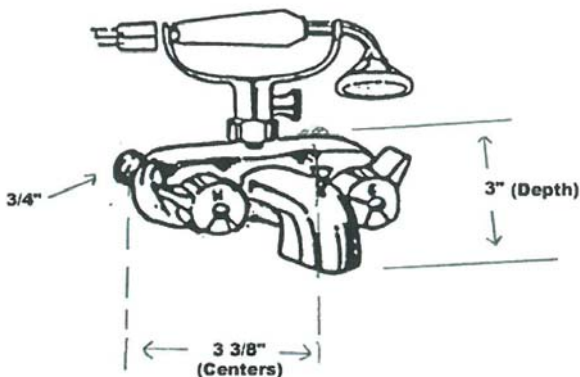
### Parts Breakdown:

All parts listed are in chrome finish, please specify other finishes when ordering.

**1020 Model:**  
 Cold Handle: 1020/6016C  
 Hot Handle: 1020/6016H  
 Cold Cartridge: 21C  
 Hot Cartridge: 21H  
 1/2" Male Connector: 50M

**1020R Model:**  
 Cold Handle: 1020/6016C  
 Hot Handle: 1020/6016H  
 Cold Cartridge: 21C  
 Hot Cartridge: 21H  
 3/8" Female Connector: 38FM

### 1020/6820 Series

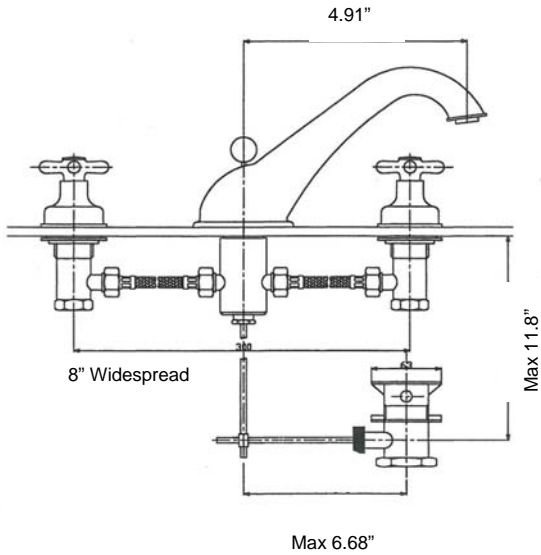


**1020/6820 Model:**  
 Cold Handle: 1020/6016C  
 Hot Handle: 1020/6016H  
 Cold Cartridge: 21C  
 Hot Cartridge: 21H  
 1/2" Male Connector: 50M  
 Cradle: 9701-1/2  
 59" Hose: 91300  
 Handshower: HD201

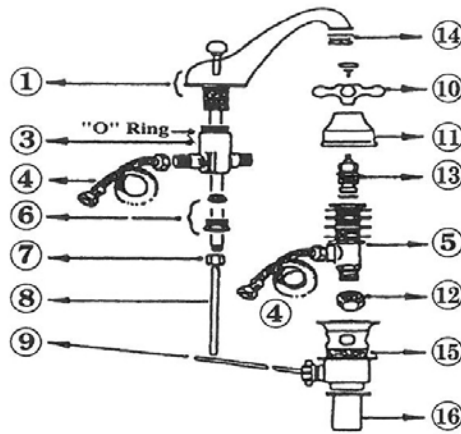
All measurements are approximate and may change without notice. It is recommended to have product on-site prior to installing plumbing rough-in.

## 820 Series

Models: 820CSA, 823CSA, 828CSA



### Parts Breakdown:

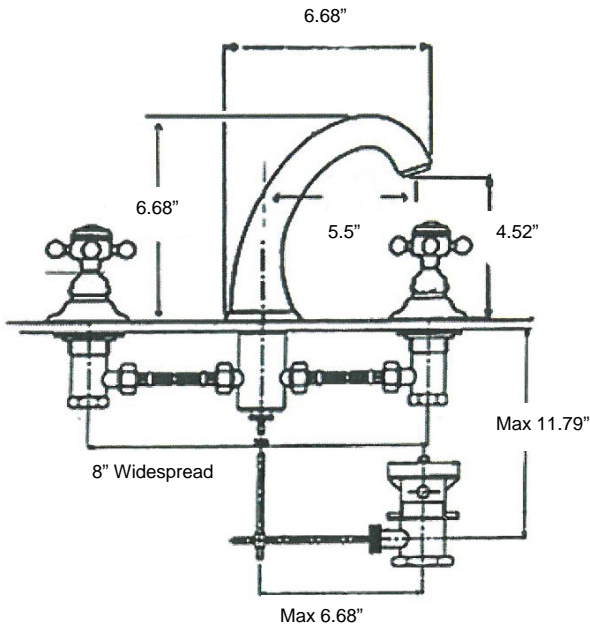


All parts listed are in chrome finish, please specify other finishes when ordering.

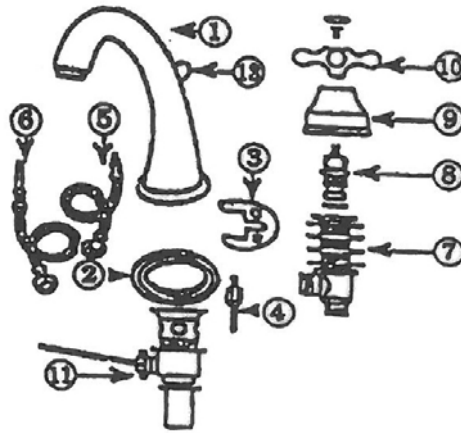
1. 820-1040 (spout)
2. 820-1057 (spout washers)
3. 820-080C (cross mixing union)
4. 820-088 (braided hoses)
5. 820-1053 (valve body)
6. 820-1058C (lift rod nut & washer)
7. 820-090 (lower lift rod washer / nut)
8. 810-092 (lift rod)
9. 820-091 (lift rod connection to pop up)
10. 820-6200 (cross handle)
- 820-6010 (metal lever handles)
11. 820-1055F (cartridge cover)
12. 820-6 (1/2" coupling nut)
13. 00033RC (ceramic cold cartridge)
- 00033RH (ceramic hot cartridge)
14. 810-1064 (Aerator 8.3 LPM / 2 GPM)
15. 820-1015 (pop up waste assembly)
16. 3814-4 (extension tube assembly)

## H820 Series

Models: H820CSA, H823CSA



### Parts Breakdown:



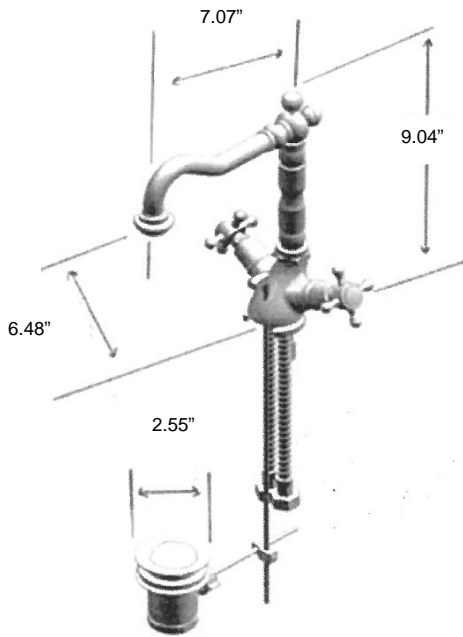
All parts listed are in chrome finish, please specify other finishes when ordering.

1. H820-1040 (faucet body & spout)
2. H820-1042 (faucet deck flange)
3. H820-1044 (base mounting plate)
4. H820-1045 (bolts and union nuts)
5. H820-088 (braided hoses)
6. H820-088 (braided hoses)
7. 820-1053 (Valve body)
8. 00033RC (ceramic cold cartridge)
- 00033RH (ceramic hot cartridge)
9. 820-1055F (cartridge cover)
10. 820-6200 (cross handle)
- 820-6010 (metal lever handles)
11. 820-1015 (pop up waste assembly)
13. 820-092 (lift rod)

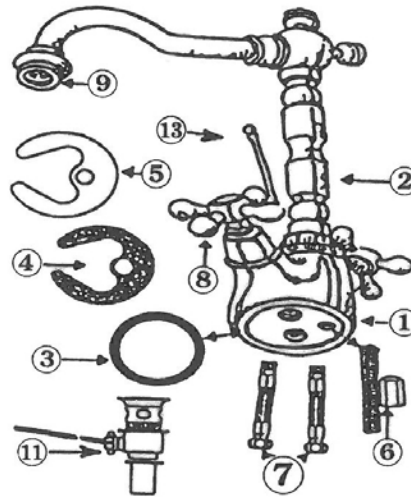
All measurements are approximate and may change without notice. It is recommended to have product on-site prior to installing plumbing rough-in.

## N840 Series

Models: N840, N843



## Parts Breakdown:

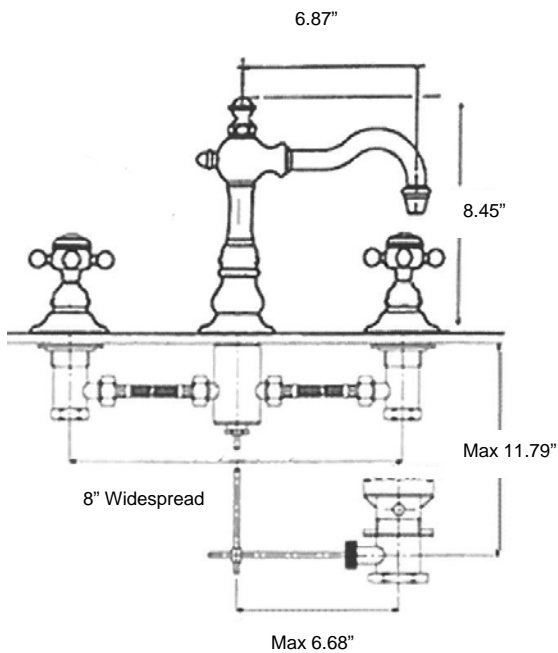


All parts listed are in chrome finish, please specify other finishes when ordering.

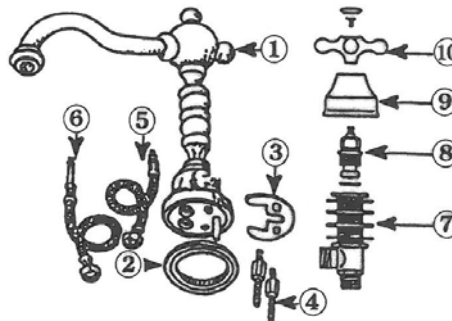
1. N840-1040 (faucet body)
2. N840-1042 (spout)
3. N840-OR (body O ring)
4. N840-01GT (base gasket)
5. N840-1044 (mounting plate)
6. N840-1045 (mounting bolts & nuts)
7. N088 (3/8" supply hoses)
8. N840/6200 (cross handles)
- 8A. 00033RC (ceramic cold cartridge)
- 00033RH (ceramic hot cartridge)
9. N840-1064 (aerator)
11. N840-1015 (pop up waste assembly)

## N820 Series

Models: N820, N823



## Parts Breakdown:



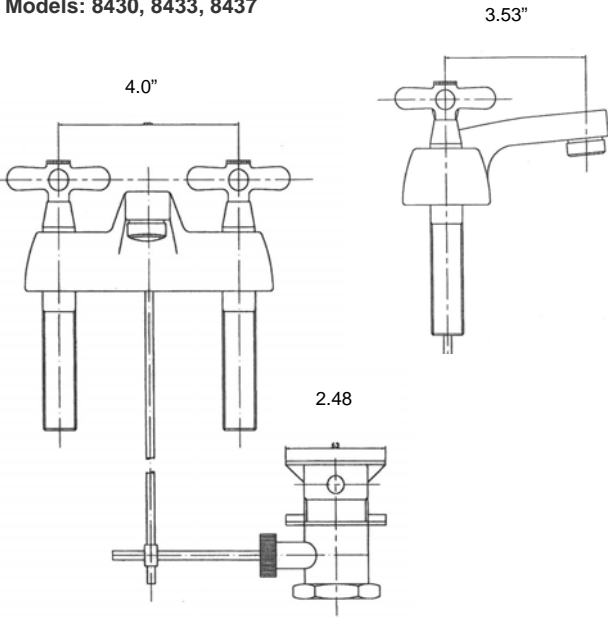
All parts listed are in chrome finish, please specify other finishes when ordering.

1. N820-1040 (faucet body & spout)
2. N820-1042 (faucet deck flange)
3. N820-1044 (base mounting plate)
4. N820-1045 (mounting bolts & nuts)
- 5, 6. N820-088 (braided hoses)
7. N820-105. (valve body)
8. 00033RC (ceramic cold cartridge)
- 00033RH (ceramic hot cartridge)
9. N820-1055F (cartridge cover)
10. N800-6200 (cross handles)

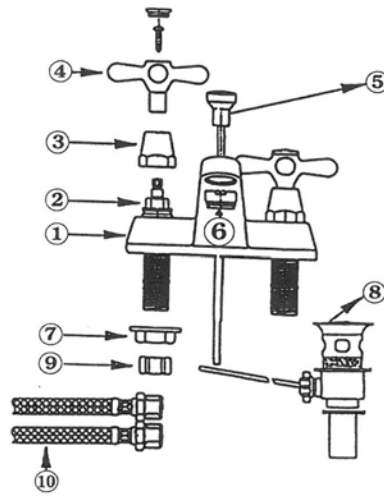
All measurements are approximate and may change without notice. It is recommended to have product on-site prior to installing plumbing rough-in.

## 8430 Series

Models: 8430, 8433, 8437



## Parts Breakdown:

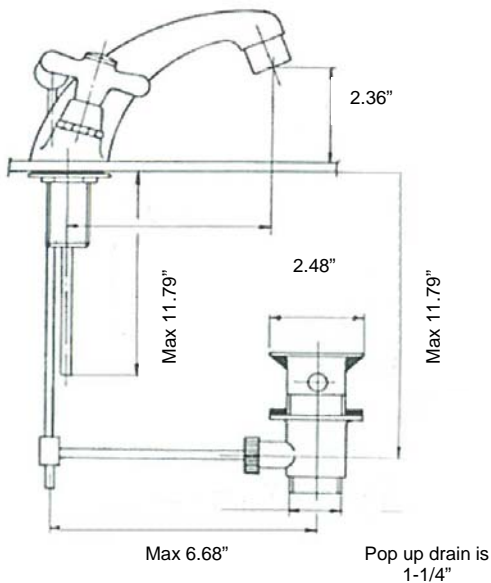


All parts listed are in chrome finish, please specify other finishes when ordering.

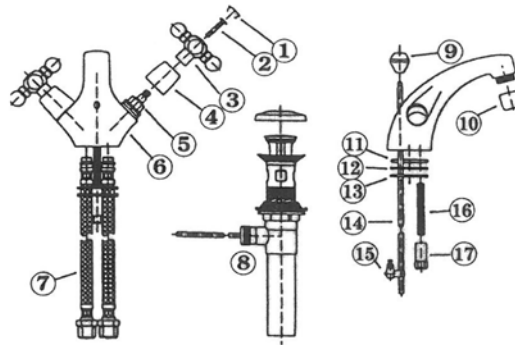
1. 84-1040 (faucet body)
2. 00033RC (ceramic cold cartridge)  
00033RH (ceramic hot cartridge)
3. 84-6200F (cartridge cover)
4. 84-6200 (cross handles)
5. 84-092 (lift rod)
6. 84-1064 (Aerator 8.3 LPM / 2 GPM)
7. 801-050N (1/2" flanged lock nut)
8. 820-1015 (pop up waste assembly)
9. 820-6 (1/2" coupling nut)
10. 820-088 (braided hoses)

## 840 Series

Models: 840, 843, 847



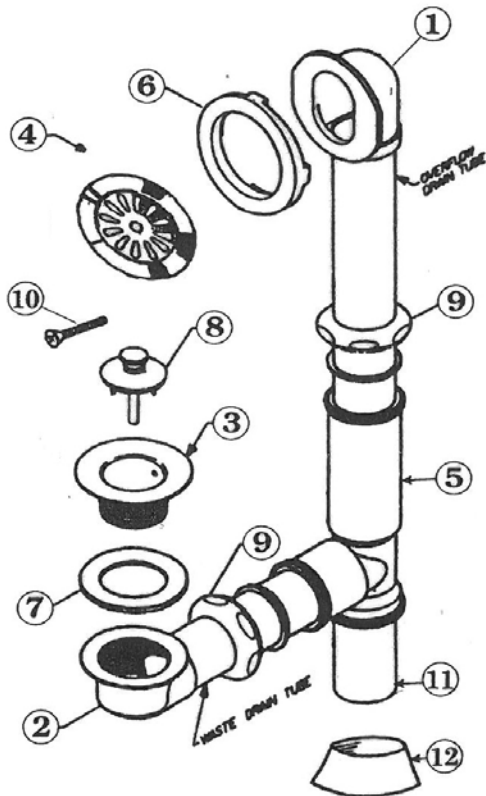
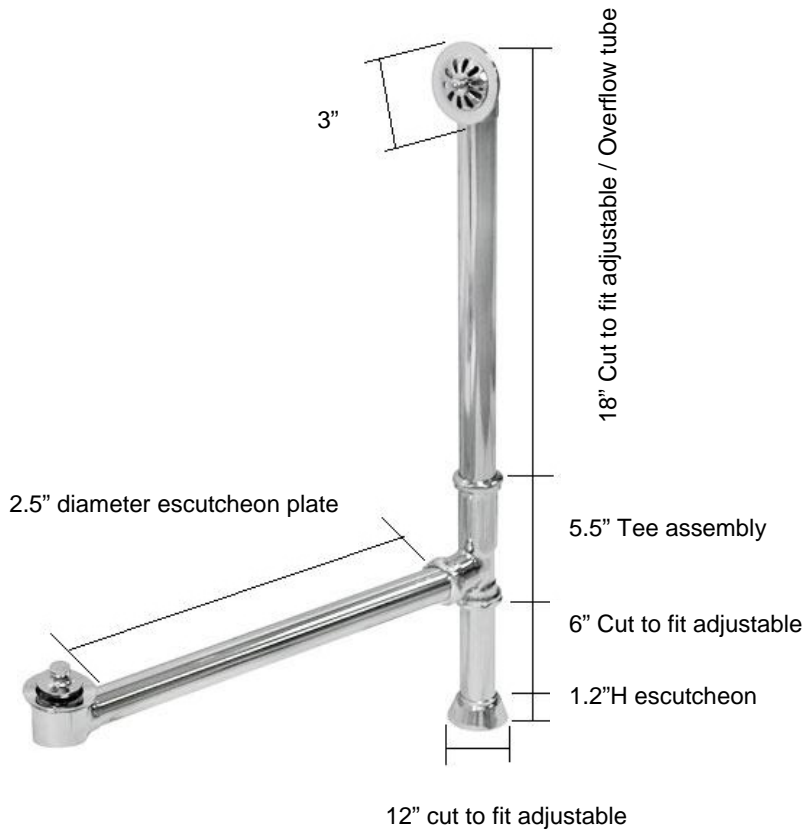
## Parts Breakdown:



All parts listed are in chrome finish, please specify other finishes when ordering.

1. 2. 3. 800-6200 (cross handles)
4. 800-6200F (cartridge covers)
5. 00033RC (ceramic cold cartridge)  
00033RH (ceramic hot cartridge)
6. 840BD (faucet body)
7. N088 (supply tubes)
8. 840-1015 (pop up waste assembly)
9. 14. 15. 840-092 (lift rod assembly)
10. 840-1065 (aerator)
11. 12. 13. 840IN (Installation kit) assembly)
16. 17. 840IN (Installation kit) assembly)

All measurements are approximate and may change without notice. It is recommended to have product on-site prior to installing plumbing rough-in.



### Parts Breakdown:

All parts listed are in chrome finish, please specify other finishes when ordering.

1. T55CP (top overflow tube)
2. B55CP (bottom shoe)
3. WF55CP (top waste flange)
4. F55CP (face plate)
5. TE55CP (exposed tee)
6. R55PL (face sponge gasket)
7. R55WS (waste gasket)
8. L55CP (lift stop)
9. N55CP (1.5" nut)
10. S55CP (face plate screw)
11. TP55CP (1.5" x 6" bottom tube)
12. 491CP (1.5" floor escutcheon)

All measurements are approximate and may change without notice. It is recommended to have product on-site prior to installing plumbing rough-in.