

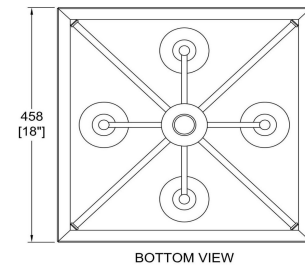
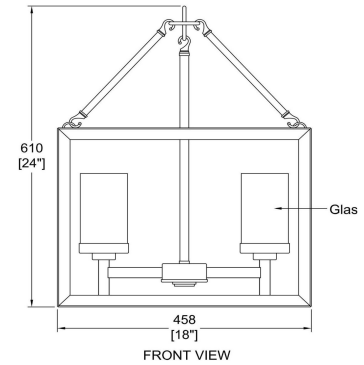
# RUSSELL

[info@russell-lighting.com](mailto:info@russell-lighting.com)  
604-420-2440

## 110-618/BLK

Category: [Chandeliers](#)

|                           |                    |
|---------------------------|--------------------|
| <b>Finish:</b>            | Black              |
| <b>Width:</b>             | 18"                |
| <b>Height:</b>            | 24"                |
| <b>Extension:</b>         | 18"                |
| <b>Hanging Weight:</b>    | 14lbs              |
| <b>Lamp Type:</b>         | 4x Medium Base E26 |
| <b>Wattage:</b>           | 100W               |
| <b>Voltage:</b>           | 120V               |
| <b>Bulbs included:</b>    | Not Included       |
| <b>Location rating:</b>   | Dry                |
| <b>Canopy dimensions:</b> | 5" x 5" Square     |
| <b>Wire length:</b>       | 10ft               |
| <b>Chain length:</b>      | 6ft                |
| <b>Certification:</b>     | c ETL us           |
| <b>Warranty:</b>          | 1 Year             |



### Glass Details

|                |        |
|----------------|--------|
| <b>Type:</b>   | Glass  |
| <b>Finish:</b> | Opal   |
| <b>Number:</b> | 031100 |
| <b>Width:</b>  | 3 3/8" |
| <b>Height:</b> | 6 1/4" |
| <b>Length:</b> | 3 3/8" |

### Project Details