

# RUSSELL

[info@russell-lighting.com](mailto:info@russell-lighting.com)  
604-420-2440

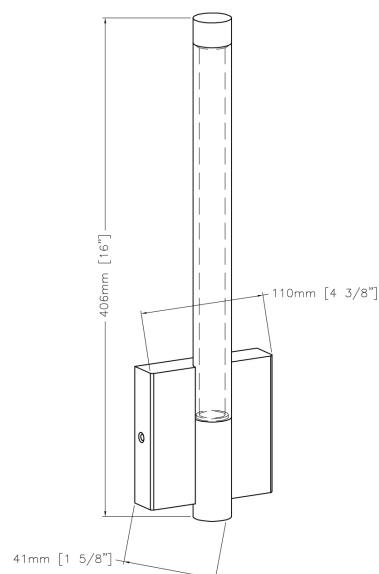
## WL7013/BK/CL

Categories: [LED](#), [Wall Sconces](#)

<b>Finish:</b>	Black
<b>Width:</b>	4 1/2"
<b>Height:</b>	16 1/2"
<b>Extension:</b>	1 1/2"
<b>Lamp Type:</b>	Integral LED
<b>CRI:</b>	>90
<b>Colour Temperature:</b>	3000k
<b>LED rated life:</b>	50,000 hours
<b>Lumens:</b>	220
<b>Wattage:</b>	7W
<b>Voltage:</b>	120
<b>Location rating:</b>	Damp
<b>Certification:</b>	c ETL us
<b>Warranty:</b>	5 Year

### Glass Details

<b>Type:</b>	Glass
<b>Finish:</b>	Clear
<b>Number:</b>	036701
<b>Width:</b>	1 1/2"
<b>Length:</b>	12"



### Project Details

Project Details