

## SPECIFICATION SUBMITTAL

## FLAT SQUARE SERENITY™ TRIM, 2" OUTLET FOR TILE SHOWER BASES

JOB:  
 CONTRACTOR:  
 ARCHITECT/ENGINEER:

DATE:  
 QTY:  
 PO#:  
 TAG:

### SPECIFICATION

4" square trim with a 2" threaded drain outlet.  
 Stainless steel hair catcher supplied. Removeable insert.

### CERTIFICATION



ASME A112.18.2/CSA-B125.2  
 The "cCSAUS" Meets UPC & IPC Code" mark means the product conforms to the requirements of the NPC, UPC, IPC, and IRC.

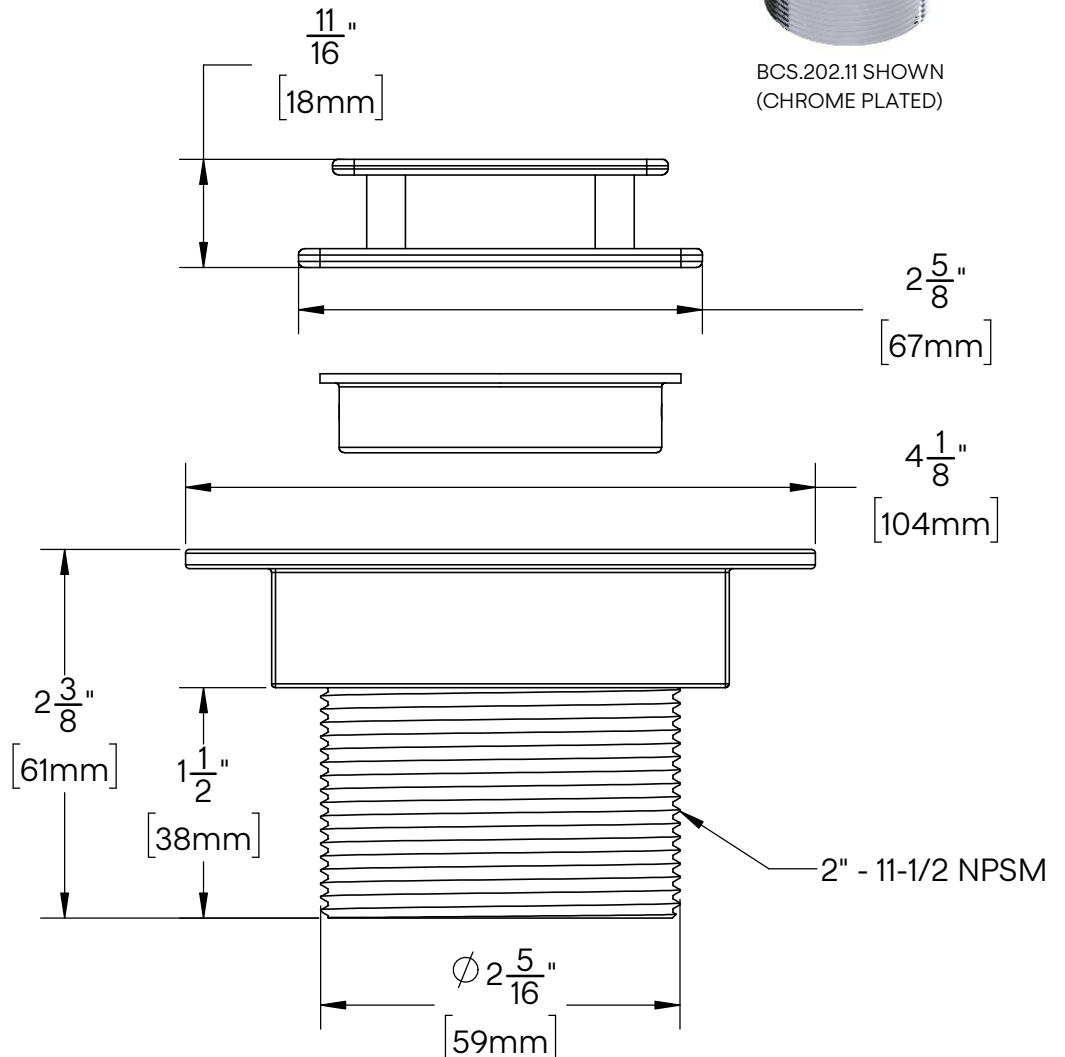


BCS.202.11 SHOWN (CHROME PLATED)

### FINISHES AVAILABLE

Fill X - FINISH

11	22
CHROME PLATED	BRUSHED NICKEL
33	44
MATTE BLACK	WHITE
55	66
POLISHED NICKEL	VENETIAN BRONZE
77	88
LUXE BRONZE	BRUSHED GOLD



### Oakville Stamping and Bending Ltd.

T. 905.827.0320 or toll free 1.877.314.6040 F. 905.827.6375 or toll free 1.877.827.6040

All rights reserved. +osb™ reserves the right to change product specifications and material or discontinue models without notice.

[www.osb.ca](http://www.osb.ca) (Canada) [www.osbplumbing.com](http://www.osbplumbing.com) (USA)

11/26/25