

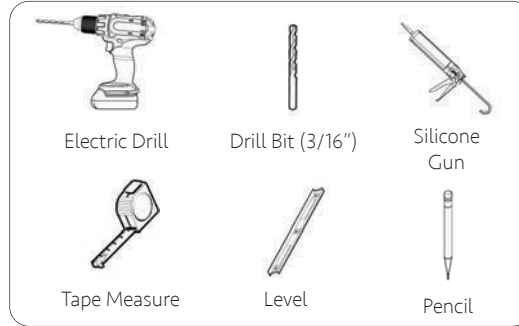
INSTALLATION GUIDE

SHOWER BASES

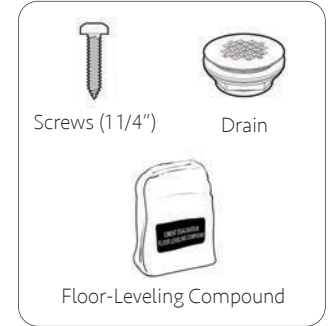
Applicable Models



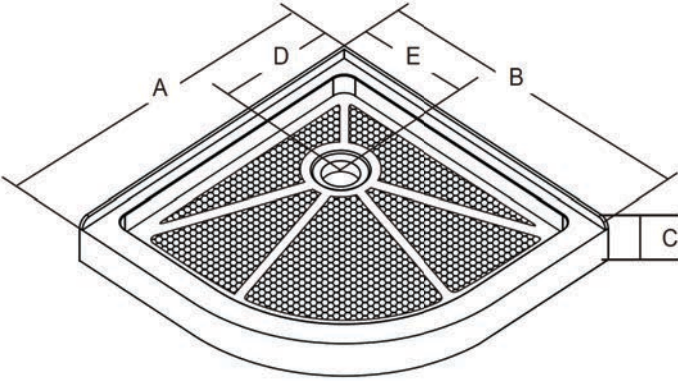
Recommended Tools



Recommended Parts



SPECIFICATIONS

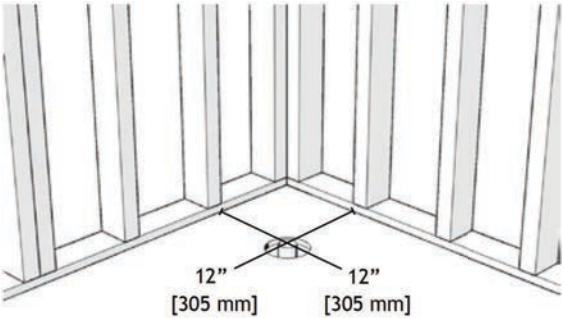


MODELS	DIMENSIONS*				
	A	B	C	D	E
ABR36	36" (914mm)	36" (914mm)	3.5" (89mm)	12" (305mm)	12" (305mm)
ABR40	40" (1016mm)	40" (1016mm)	3.5" (89mm)	12" (305mm)	12" (305mm)

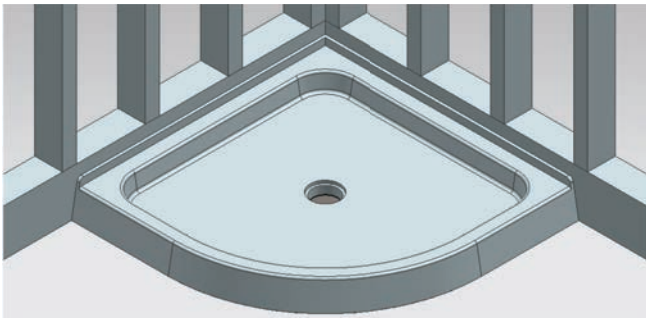
* Tolerance on dimensions: ±0.25" (6mm)

INSTALL STEPS

1 Cut out floor based on D & E (12", 305mm) dimensions. The 2" (50mm) drain pipe should project 0.5" (13mm) above the floor line.



2 Position base to verify the draining pipe matches the actual location of the base drain. Now, remove the base.

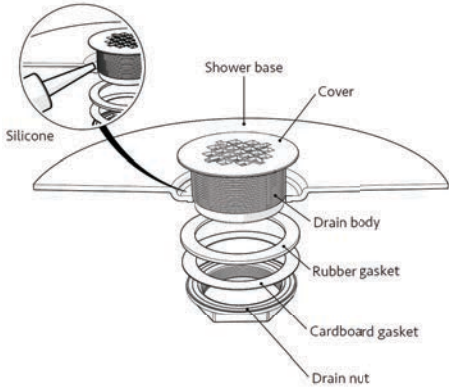


Disclaimer: please hire a specialist if you feel you are unable to install yourself. Teago cannot be held liable for a faulty install or damage done by it.

INSTALLATION GUIDE

SHOWER BASES

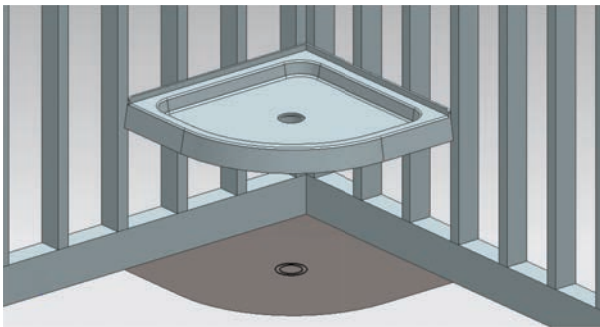
- 3 Ensure that silicone is beaded around drain body & shower base before the drain is installed on the base.



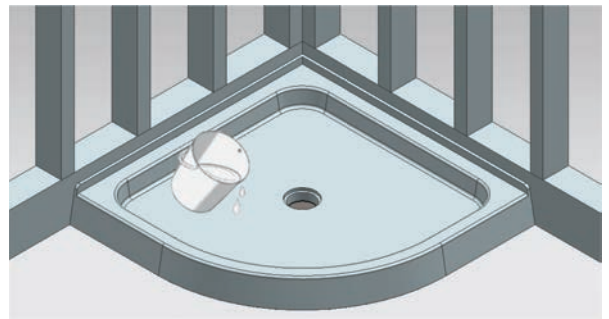
- 4 Shim shower base and/or spread floor leveling compound or mortar evenly over the entire area where the base will be installed.



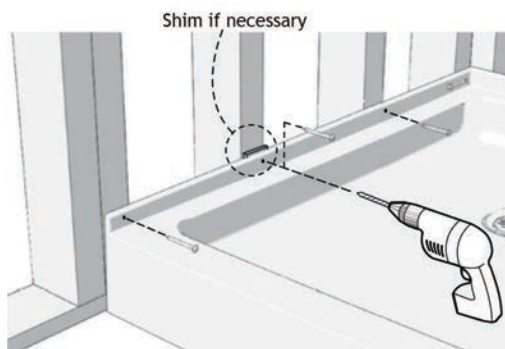
- 5 Lower base over center of draining pipe & set into place. Apply pressure to ensure that the compound is in contact with the entire bottom surface of the base. Verify that the base is level.



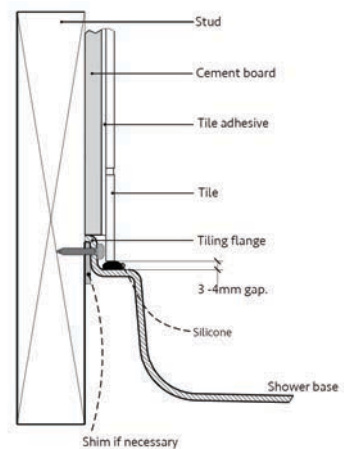
- 6 Once the drain is connected, plug the drain & fill the base with some water. Check for any leakage around the drain (some bubbles may appear). Unplug the drain and assure that the drainage is efficient.



- 7 Locate and drill with a 3/16" drill bit, the screw location in the tile flange. Fasten base to studs using 8 x 1 1/4" screws (preferably stainless steel).



- 8 Here are some best practices for getting the best finish & water-tight seal.



Note: Please note these are only general installation guidelines. Steps may vary from time to time depending on the circumstances. Do not hesitate to contact us if you require any further information. Our contact info can be found at teago.ca.