

System Features



- Protects sensitive electronics and appliances against the harmful effects of lightning strikes and internally generated electrical transients
- Includes pre-wired pigtail conductors to streamline installation
- Fail-safe design
- Dual Component Level Fusing (CLF) provides over-current plus thermal protection for added safety
- UL 1449 4th Edition
- Small, compact footprint - makes installation flexible
- 10-Year Unlimited Free Replacement Warranty
- Optional flush mount plate for installation on recessed panels

Product Specifications

General Specifications

Maximum Rated Surge Current: 40, 60, or 80kA /phase

Application: ANSI/IEEE C62.41 Location C, B & A. Ideal for service entrance and branch panel applications

Design: Ultra compact, fail-safe design with dual component-level fusing

Warranty: 10-Year Unlimited Free Replacement

Safety Listing: UL 1449 4th Ed., Type 2

Nominal Discharge Surge Current I_n : 10kA

Mechanical Specifications

Dimensions: Approx. 3"H x 3.5"W x 3"D (74mm H x 90mm W x 79mm D)

Enclosure: High-impact non-metallic Nema 1

Connection: Pre-Wired with 18" (457mm) of #12 AWG (3.31mm²) conductor

Mounting: Comes with a threaded 1/2" (15 mm) hub for easy knockout mounting

Operating Environment: -40° C to 70° C (-40° F to 160° F); 5% to 95% non-condensing humidity

Weight: 2.15 lbs (1.0kg)

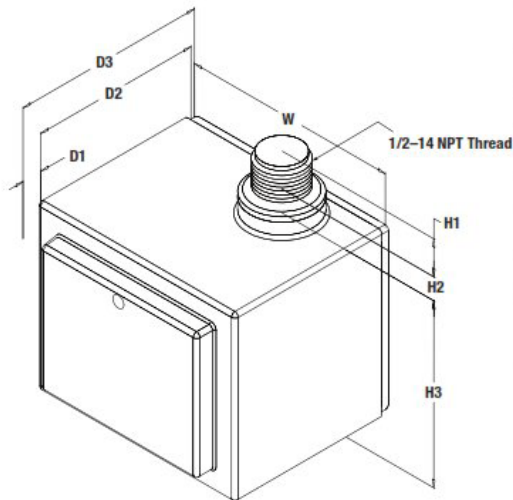
Options

Flush mount cover plate: PKR-FMP

Available Configurations

PanelTrack Recessable

Model Number	Description	Surge Rating
TK-PK040R-1S240-L	120/240VAC, 1Ø 3-wire + grd	40kA/phase
TK-PK060R-1S240-L	120/240VAC, 1Ø 3-wire + grd	60kA/phase
TK-PK080R-1S240-L	120/240VAC, 1Ø 3-wire + grd	80kA/phase



H1	.75 (19.1)
H2	.25 (6.4)
H3	2.93 (74.4)
W	3.56 (90.4)
D1	.32 (8.1)
D2	2.78 (70.6)
D3	3.10 (78.7)
<i>All measurements in inches (mm)</i>	

Model Number	System Voltage	System Configuration	Surge Rating (per phase)	Protection Mode	MCOV	ANSI/IEEE C62.41.1-2002, C62.41.2-2002, & C62.45-2002		
						Measured Limited Voltage		VPR Data
						All Models B3/C1 Impulse Wave 6kV, 3kA 90° Phase Angle	All Models C3 Impulse Wave 20kV, 10kA 90° Phase Angle	UL 1449 4th Edition Voltage Protection Ratings
TK-PK040R-1S240-L	120/240V	1-Phase	40kA	L-N	150	590	950	600
TK-PK060R-1S240-L		3-wire+grnd	60kA	L-G	150	590	1120	600
TK-PK080R-1S240-L			80kA	N-G				900

All tests performed with 6" (152 mm) lead length, positive polarity. All voltages are peak values ($\pm 10\%$) measured from the zero reference point at the phase angles referenced above using a 10 μ s/div display rate and 500 Mega samples/sec sampling rate. Specifications subject to change without notice. See web site www.TPSSurge.com for latest revisions.

