

Installation Instructions

VIESSMANN

for use by heating contractor

Replacement of Heat Exchanger,, Part No. 7373 111

for Vitodens 100-W, WB1A boilers

Please file in Service Binder

Safety and Installation Requirements

Please ensure that these instructions are read and understood before commencing installation. Failure to comply with the instructions listed below can cause product/property damage, severe personal injury, and/or loss of life.

Working on the equipment

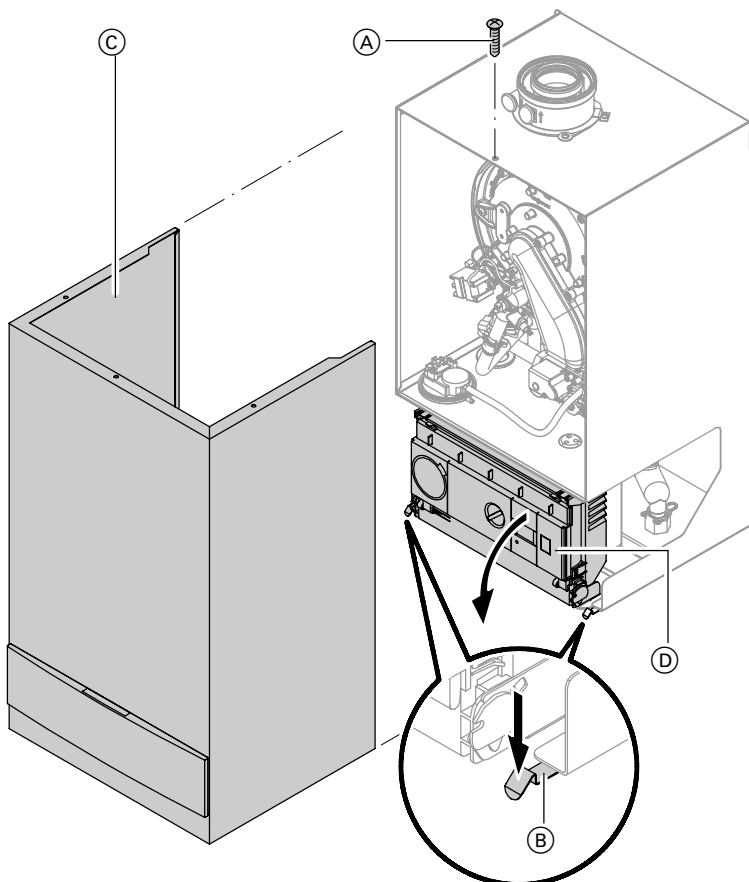
The installation, adjustment, service, and maintenance of this product must be done by a **licensed professional heating contractor** who is qualified and experienced in the installation, service, and maintenance of hot water boilers. There are no user serviceable parts on the boiler, burner, or control.

Ensure **main power** supply to equipment, the heating system, and all external controls has been **deactivated**. **Close main gas supply valve**. Take precautions in both instances to avoid accidental activation of power during service work.



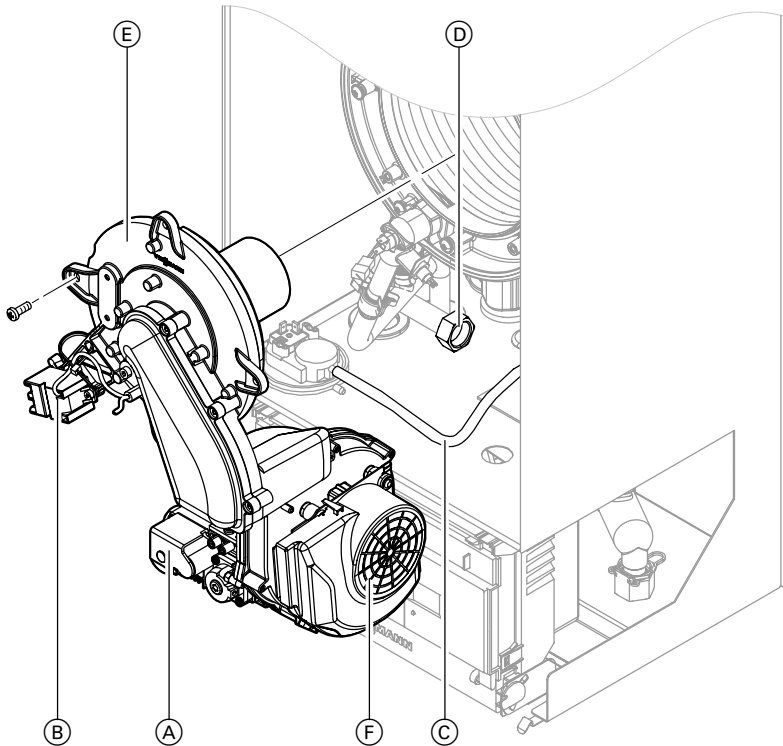
Ensure that the installation literature of other applicable components is referenced.

Removing Front Enclosure Panel



1. Remove the screw at the top of boiler (A).
2. Press down on springs at bottom of boiler (B) and remove the front enclosure panel (C).
3. Flip control console down (D).

Burner Removal

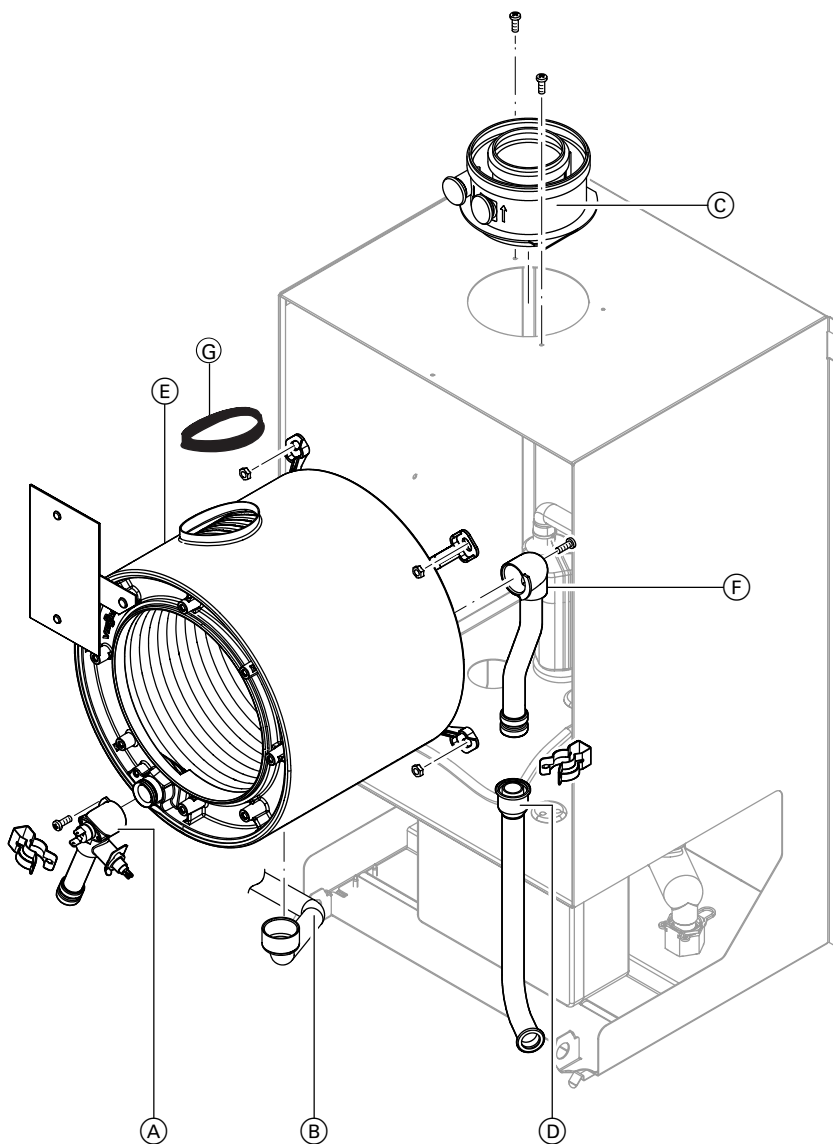


1. Disconnect electrical cables from gas valve (A), and ignition transformer unit (B).
2. Remove connection hose (C) from air pressure switch.
3. Loosen the fitting (D) on the gas connection pipe.
4. Loosen four screws, remove burner (E) and disconnect all electrical cables from blower motor (F).

⚠ CAUTION

To avoid damage to the burner, do not lay burner on its cylindrical burner tube. Failure to heed this caution may cause damage to the burner tube, which may lead to improper operation.

Replacing the Heat Exchanger



1. Loosen screw, remove plug-in connector and connector pipe (A).
2. Loosen connector and remove condensate pipe (B).
3. Dismantle the vent system, loosen the two screws on the vent pipe adaptor (C) and remove adaptor.
4. Remove the plug-in connector and dismantle the return pipe (D).
5. Loosen the mounting bracket nuts and remove the heat exchanger (E).
6. Loosen screw and remove plug-in connector (F) from the heat exchanger (E).
7. Attach plug-in connector (F) to new heat exchanger (E) using screw.
8. Install the new heat exchanger (E) into the boiler and secure with hex nuts.
9. Reassemble the boiler in reverse order. Pay extra attention to correct installation of gasket (G) onto the heat exchanger (E) when reinstalling the vent pipe adaptor (C).
10. Fill the boiler with water, flush and check for leaks.



*Vitodens 100
Installation and Service
Instructions*

IMPORTANT

Use new gaskets and pipe sealing compound on all gas and water pipe connections.

Lubricate all hot water O-rings with supplied lubricant.



WARNING

Gas leaks can lead to explosions.
Check gas pipe seals to ensure that there are no leaks.

Viessmann Manufacturing Company (U.S.) Inc.
45 Access Road
Warwick, Rhode Island • 02886 • USA
Tel. (401) 732-0667 • Fax (401) 732-0590
www.viessmann-us.com • info@viessmann-us.com

Viessmann Manufacturing Company Inc.
750 McMurray Road
Waterloo, Ontario • N2V 2G5 • Canada
Tel. (519) 885-6300 • Fax (519) 885-0887
www.viessmann.ca • info@viessmann.ca

5352 238 v1.0

Technical information subject to change without notice.



Printed on environmentally friendly
(recycled and recyclable) paper.