



Straight Hose Connector

Maximize your time outdoors with easier water access.



Seamless Integration

Designed for use with Aquor Hydrants for a better outdoor water setup.



Leak-Proof Connections

Attaches to any hose, providing instant water connections – even under full pressure.



Wear-Resistant Materials

Manufactured from crush-proof, military-grade acetal polymer.

Learn More
About Aquor



Aquor® Straight Hose Connector

04/2025
CN-S1-SERIES
Tech Specs



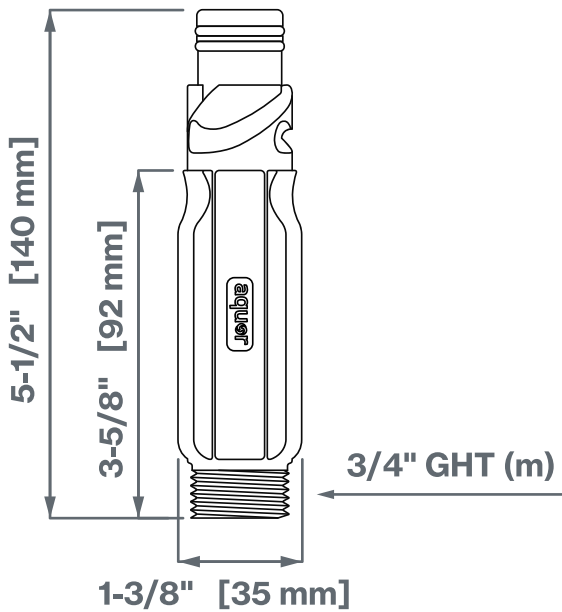
CN-S1-G



CN-S1-BLK



CN-S1-B



Connect instantly under full water pressure with a simple push and twist. Leave attached to any hose for quick and easy Hydrant connections. The built-in one-way check valve prevents backflow, keeping your water supply clean and secure.

- Universally compatible with 3/4" GHT
- Built-in check valve prevents backflow
- Durable military-grade materials

Compatibility	All Aquor Hydrants and outlets
Outlet	3/4" GHT (m)
Backflow Protection	Yes, check valve in Hose Connector
Operating Temperature	33-140°F
Operating Water Pressure	25-125 PSI
Flow Rate	6.8 GPM @ 52 PSI
Connector Material	Acetal polymer
O-Ring Material	Fluorocarbon rubber
Colors Available	Slate Gray, Jet Black, and Aquor Blue
Warranty	5-year limited warranty

Care and Usage Tips

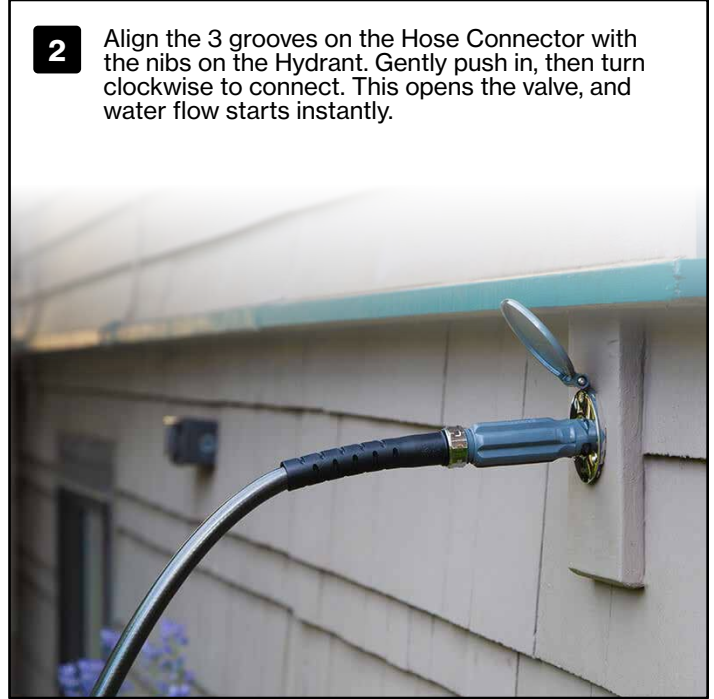
- Leave attached to your hose for easy use
- Unplug from Hydrant after each use to allow for proper drainage
- Store out of the elements to extend connector life

As Easy as 1, 2, 3

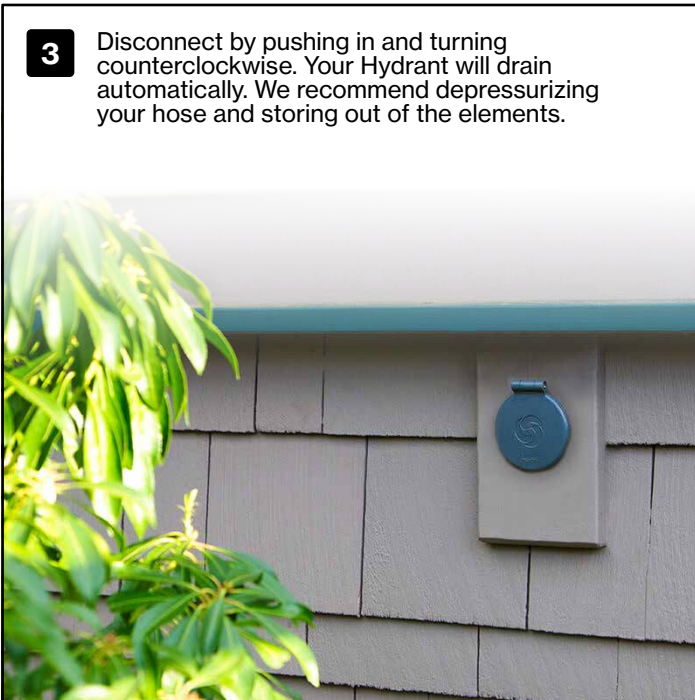
- 1** Securely attach Aquor Hose Connector to any hose. Leave connected for convenience.



- 2** Align the 3 grooves on the Hose Connector with the nibs on the Hydrant. Gently push in, then turn clockwise to connect. This opens the valve, and water flow starts instantly.

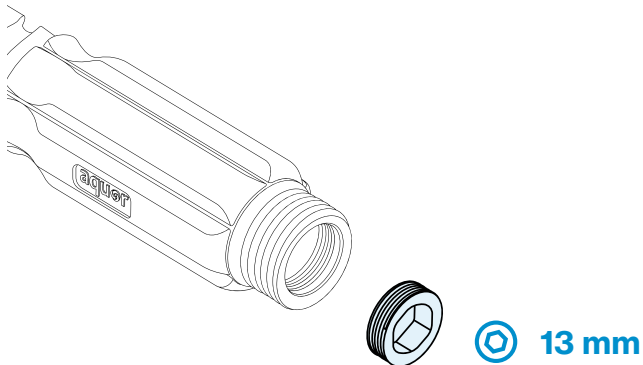


- 3** Disconnect by pushing in and turning counterclockwise. Your Hydrant will drain automatically. We recommend depressurizing your hose and storing out of the elements.

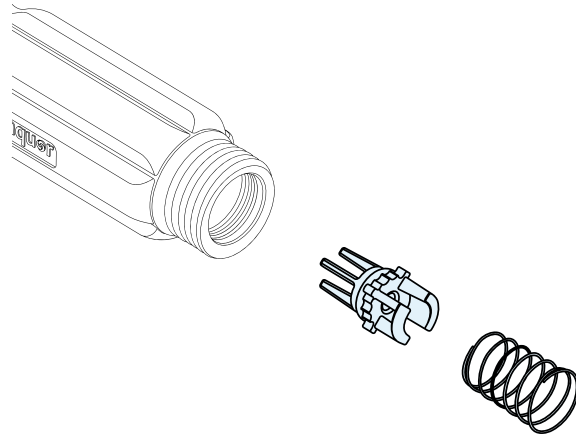


Removing the Check Valve

- 1** Unthread the plastic packing nut.



- 2** Remove the spring and check valve.



Aquor® Straight Hose Connector

04/2025
CN-S1-SERIES
Hose Connector Comparison

Model	Backflow Protection	Hydrant Compatibility	Flow Control	Colors Available	Certifications
 Current Product	Check Valve	All Aquor Hydrants and Outlets	None	Slate Gray, Jet Black, Aquor Blue	None
	Check Valve	All Aquor Hydrants and Outlets	None	Aquor Blue, Jet Black	None
	None	All Aquor Hydrants and Outlets	Yes	Slate Gray, Jet Black	None
	Vacuum Breaker	All Aquor Hydrants and Outlets	None	Slate Gray, Jet Black	ASSE 1019, CSA B125
	Vacuum Breaker	All Aquor Hydrants and Outlets	Yes	Slate Gray, Jet Black	ASSE 1019, CSA B125
	Vacuum Breaker	All Aquor Hydrants and Outlets	Yes	Slate Gray, Jet Black (Coming Soon)	ASSE 1019, CSA B125