



Hydrant Inlets

Simplify installation with a secure, reliable connection.



Versatile Compatibility

Available in NPT, PEX crimp, and PEX expansion styles to fit your plumbing setup.



Leak-Free Performance

Engineered to maintain a watertight seal—even up to one rotation backward.



Durable Construction

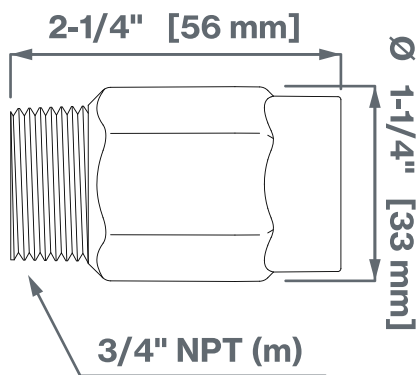
Built from corrosion-resistant 316L stainless steel for dependable long-term use.

Learn More About Aquor



Aquor® 3/4" NPT Straight Inlet

07/2025
INL-ST-34-NPT
Tech Specs



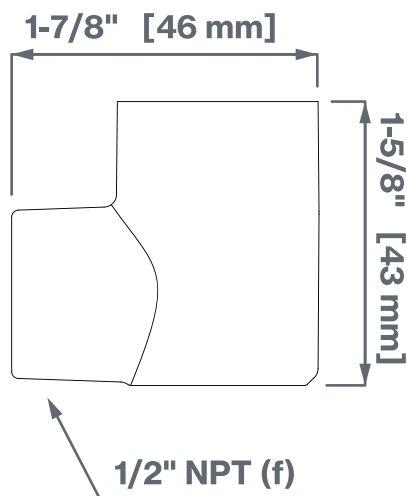
Replaces a standard straight 1/2" NPT inlet. For use with any plumbing – NPT is the most common thread type. Precision-cast 316L stainless steel.

- For use with any plumbing type
- 100% lead-free 316L stainless steel
- Includes stainless steel valve reset spring
- Not compatible with Ground Hydrants or Hot+Cold Hydrants

Hydrant Compatibility	House Hydrant V1, V1+, V2+, RV City Water Inlet, Universal Hydrant, Marine Deckwash
Plumbing Compatibility	All Plumbing (adapter may be needed)
Inlet Threading	3/4" NPT (m)
Outlet Threading	Unique to Aquor Hydrants
Connection Type	NPT (m)
Specification	ANSI B1.20.1
Material	Stainless steel
Warranty	5-year limited warranty

Aquor® 1/2" NPT 90° Elbow Inlet

07/2025
INL-EL-12-NPT
Tech Specs



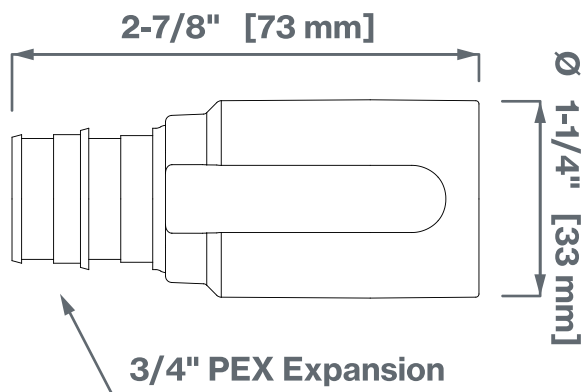
Replaces a standard straight 1/2" NPT inlet. For use with any plumbing – NPT is the most common thread type. Shortens overall length of hydrant by 1/2 inch. Precision-cast 316L stainless steel.

- For use with any plumbing type
- 100% lead-free 316L stainless steel
- Can be positioned in any direction
- Includes stainless steel valve reset spring
- Not compatible with Ground Hydrants or Hot+Cold Hydrants

Hydrant Compatibility	House Hydrant V1, V1+, V2+, RV City Water Inlet, Universal Hydrant, Marine Deckwash
Plumbing Compatibility	All Plumbing (adapter may be needed)
Inlet Threading	1/2" NPT (f)
Outlet Threading	Unique to Aquor Hydrants
Connection Type	NPT (f)
Specification	ANSI B1.20.1
Material	Stainless steel
Warranty	5-year limited warranty

Aquor® 3/4" PEX Expansion Inlet

07/2025
INL-ST-34-PEX-EX
Tech Specs



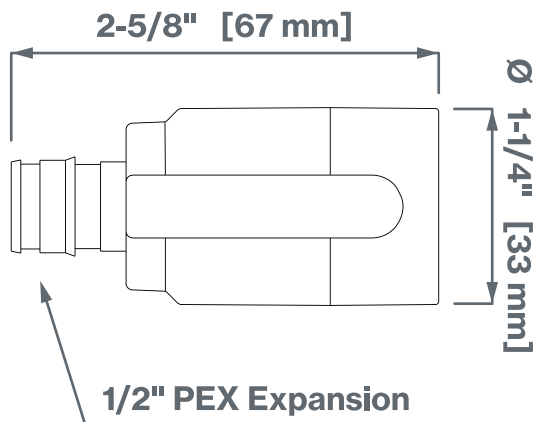
Replaces a standard straight 1/2" NPT inlet. For use with cold-expansion 3/4" PEX tubing. Precision-cast 316L stainless steel.

- For use with cold-expansion 3/4" PEX tubing
- 100% lead-free 316L stainless steel
- Includes stainless steel valve reset spring
- Not compatible with Ground Hydrants or Hot+Cold Hydrants

Hydrant Compatibility	House Hydrant V1, V1+, V2+, RV City Water Inlet, Universal Hydrant, Marine Deckwash
Plumbing Compatibility	PEX
Inlet Threading	3/4" PEX Expansion
Outlet Threading	Unique to Aquor Hydrants
Connection Type	ProPEX
Specification	ASTM F1960
Material	Stainless steel
Warranty	5-year limited warranty

Aquor® 1/2" PEX Expansion Inlet

07/2025
INL-ST-12-PEX-EX
Tech Specs



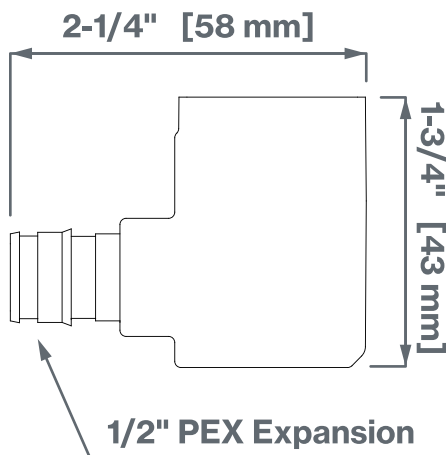
Replaces a standard straight 1/2" NPT inlet. For use with cold-expansion 1/2" PEX tubing. Precision-cast 316L stainless steel.

- For use with cold-expansion 1/2" PEX tubing
- 100% lead-free 316L stainless steel
- Includes stainless steel valve reset spring
- Not compatible with Ground Hydrants or Hot+Cold Hydrants

Hydrant Compatibility	House Hydrant V1, V1+, V2+, RV City Water Inlet, Universal Hydrant, Marine Deckwash
Plumbing Compatibility	PEX
Inlet Threading	1/2" PEX Expansion
Outlet Threading	Unique to Aquor Hydrants
Connection Type	ProPEX
Specification	ASTM F1960
Material	Stainless steel
Warranty	5-year limited warranty

Aquor® 1/2" PEX Expansion 90° Elbow Inlet

07/2025
INL-EL-12-PEX-EX
Tech Specs



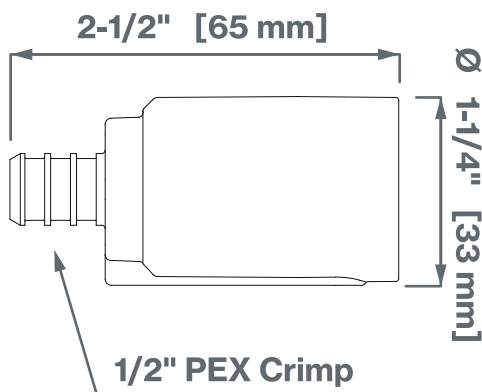
Replaces a standard straight 1/2" NPT inlet. For use with cold-expansion 1/2" PEX tubing. Shortens overall length of hydrant by 1/2 inch. Precision-cast 316L stainless steel.

- For use with cold-expansion 1/2" PEX tubing
- 100% lead-free 316L stainless steel
- Can be positioned in any direction
- Includes stainless steel valve reset spring
- Not compatible with Ground Hydrants or Hot+Cold Hydrants

Hydrant Compatibility	House Hydrant V1, V1+, V2+, RV City Water Inlet, Universal Hydrant, Marine Deckwash
Plumbing Compatibility	PEX
Inlet Threading	1/2" PEX Expansion
Outlet Threading	Unique to Aquor Hydrants
Connection Type	ProPEX
Specification	ASTM F1960
Material	Stainless steel
Warranty	5-year limited warranty

Aquor® 1/2" PEX Crimp Inlet

07/2025
INL-ST-12-PEX-CR
Tech Specs



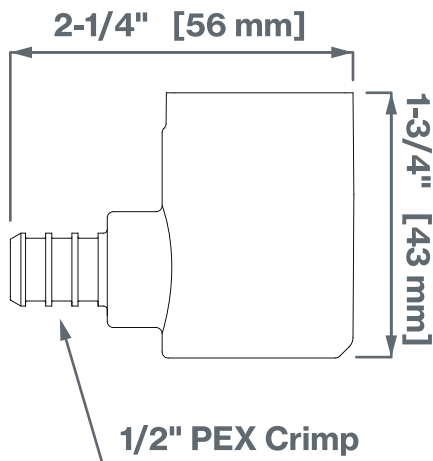
Replaces a standard straight 1/2" NPT inlet. For use with cold-expansion 1/2" PEX tubing and crimp ring fittings. Precision-cast 316L stainless steel.

- For use with cold-expansion 1/2" PEX tubing and crimp ring fittings
- 100% lead-free 316L stainless steel
- Includes stainless steel valve reset spring
- Not compatible with Ground Hydrants or Hot+Cold Hydrants

Hydrant Compatibility	House Hydrant V1, V1+, V2+, RV City Water Inlet, Universal Hydrant, Marine Deckwash
Plumbing Compatibility	PEX
Inlet Threading	1/2" PEX Crimp
Outlet Threading	Unique to Aquor Hydrants
Connection Type	PEX Clamp/Crimp
Specification	ASTM F1807
Material	Stainless steel
Warranty	5-year limited warranty

Aquor® 1/2" PEX Crimp 90° Elbow Inlet

07/2025
INL-EL-12-PEX-CR
Tech Specs



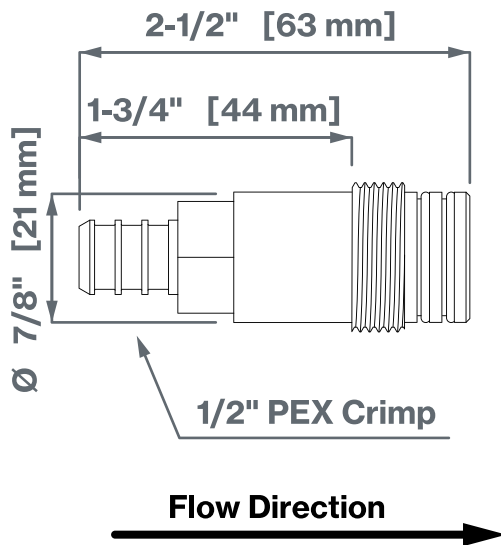
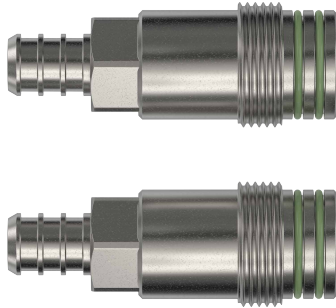
Replaces a standard straight 1/2" NPT inlet. For use with cold-expansion 1/2" PEX tubing and crimp ring fittings. Shortens overall length of hydrant by 1/2 inch. Precision-cast 316L stainless steel.

- For use with cold-expansion 1/2" PEX tubing and crimp ring fittings
- 100% lead-free 316L stainless steel
- Can be positioned in any direction
- Includes stainless steel valve reset spring
- Not compatible with Ground Hydrants or Hot+Cold Hydrants

Hydrant Compatibility	House Hydrant V1, V1+, V2+, RV City Water Inlet, Universal Hydrant, Marine Deckwash
Plumbing Compatibility	PEX
Inlet Threading	1/2" PEX Crimp
Outlet Threading	Unique to Aquor Hydrants
Connection Type	PEX Clamp/Crimp
Specification	ASTM F1807
Material	Stainless steel
Warranty	5-year limited warranty

Aquor® 1/2" PEX Crimp Inlet Tempered Water

07/2025
DCV-ST-12-PEX-CR
Tech Specs



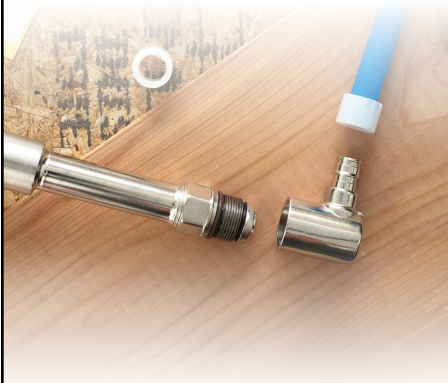
Replaces a standard straight 1/2" PEX Expansion inlet. For use with cold-expansion 1/2" PEX tubing and crimp ring fittings. Precision-cast 316L stainless steel.


- For use with cold-expansion 1/2" PEX tubing and crimp ring fittings
- 100% lead-free 316L stainless steel
- Includes stainless steel valve reset spring
- Compatible with Hot+Cold Hydrants

Hydrant Compatibility	Hot+Cold Hydrant
Plumbing Compatibility	PEX
Inlet Threading	1/2" PEX Crimp
Outlet Threading	Unique to Aquor Hydrants
Connection Type	PEX Clamp/Crimp
Specification	ASTM F1807
Material	Stainless steel
Warranty	5-year limited warranty

All Other Inlet Installations


- 1 Remove Existing Inlet**
Unscrew inlet counterclockwise.



 Note: Ensure the O-ring on the Hydrant body is properly seated.

- 2 Hand Tighten New Inlet**
Hand tighten new inlet onto Hydrant body by threading clockwise.
For elbow inlets, rotate counterclockwise until the inlet is positioned in the correct direction for installation. The O-ring will keep a watertight seal up to 360° from full lock, up to 250 PSI.



 Note: Never apply Teflon tape to Hydrant body threads. This may cause leaks. Only use Teflon tape on plumbing connection (fitting) threads.

- 3 Connect to Plumbing**
Connect to plumbing, then check for leaks and test Hydrant operation.
For PEX joints, wait 10 minutes for it to shrink down and set before turning on the water.
If possible, use a PEX expansion loop for easy plumbing maintenance down the road.




 Scan to watch install video



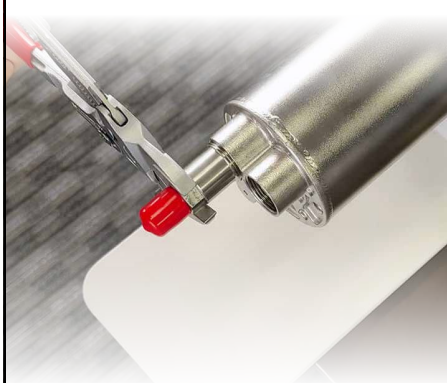
Tempered Water Inlet Installations


- 1 Remove Existing Inlet**
Loosen inlet using an adjustable wrench. Unscrew inlet counterclockwise.



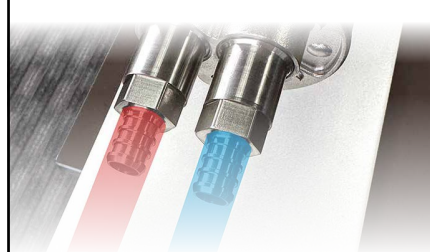
 Note: Ensure the O-ring on the Hydrant body is properly seated.

- 2 Attach New Inlet**
Fully tighten new inlet onto Hydrant body by threading clockwise. You may need a wrench to fully tighten.











 Note: Never apply Teflon tape to Hydrant body threads. This may cause leaks. Only use Teflon tape on plumbing connection (fitting) threads.

- 3 Connect to Plumbing**
Connect to plumbing, then check for leaks and test Hydrant operation.
For PEX joints, wait 10 minutes for it to shrink down and set before turning on the water.
If possible, use a PEX expansion loop for easy plumbing maintenance down the road.



 Scan to watch install video



Model	Pipe Size	Connection Type	Specification	Plumbing Compatibility	Hydrant Compatibility
 3/4" NPT Straight Inlet	3/4"	NPT (m)	ANSI B1.20.1	All Plumbing (adapter may be needed)	House Hydrant V1, V1+, V2+, RV City Water Inlet, Universal Hydrant, Marine Deckwash
 1/2" NPT 90° Elbow Inlet	1/2"	NPT (f)	ANSI B1.20.1	All Plumbing (adapter may be needed)	House Hydrant V1, V1+, V2+, RV City Water Inlet, Universal Hydrant, Marine Deckwash
 3/4" PEX Expansion Inlet	3/4"	ProPEX	ASTM F1960	PEX	House Hydrant V1, V1+, V2+, RV City Water Inlet, Universal Hydrant, Marine Deckwash
 1/2" PEX Expansion Inlet	1/2"	ProPEX	ASTM F1960	PEX	House Hydrant V1, V1+, V2+, RV City Water Inlet, Universal Hydrant, Marine Deckwash
 1/2" PEX Expansion 90° Elbow Inlet	1/2"	ProPEX	ASTM F1960	PEX	House Hydrant V1, V1+, V2+, RV City Water Inlet, Universal Hydrant, Marine Deckwash
 1/2" PEX Crimp Inlet	1/2"	PEX Clamp/Crimp	ASTM F1807	PEX	House Hydrant V1, V1+, V2+, RV City Water Inlet, Universal Hydrant, Marine Deckwash
 1/2" PEX Crimp 90° Elbow Inlet	1/2"	PEX Clamp/Crimp	ASTM F1807	PEX	House Hydrant V1, V1+, V2+, RV City Water Inlet, Universal Hydrant, Marine Deckwash
 1/2" PEX Crimp Inlet Tempered Water	1/2"	PEX Clamp/Crimp	ASTM F1807	PEX	Hot+Cold Hydrant