



Stainless Steel Mounting Box

Elevate your outdoor faucet installation with premium durability.



Built to Last

Rust- and corrosion-resistant stainless steel to withstand the elements.



Designed for Aqor

Designed for Aqor House Hydrants to ensure easy, secure installations.



Low-Profile

Low-profile aesthetic blends effortlessly for a professional finish.



Learn More
About Aqor



Aquor® Stainless Steel Mounting Box V1+

07/2025
 MB-SSBOX-1SERIES
 Tech Specs



MB-SSBOX-1A



MB-SSBOX-1B



MB-SSBOX-1C



MB-SSBOX-1A-BLK



MB-SSBOX-1B-BLK



MB-SSBOX-1C-BLK

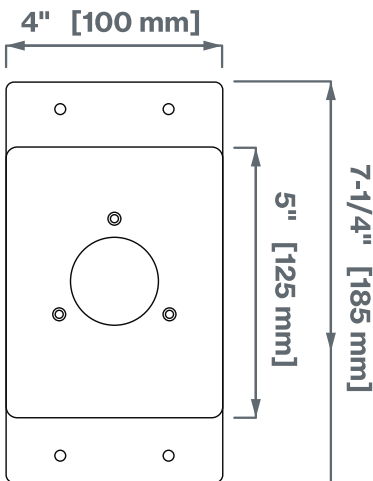
Stainless steel box for additional waterproof protection and easy brick installation. Recommended to ensure a flat install surface.

- Ideal for brick, stucco, and masonry
- Provides a flat mounting surface
- Includes mounting box and screws
- Available in 3 depths: 1-1/2", 3", and 5-1/2"

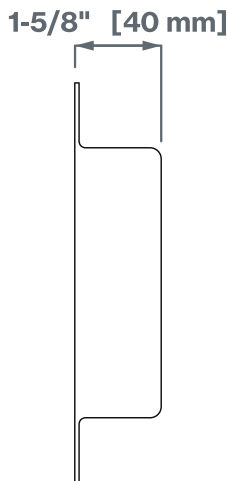
What's Included Model V1+	Mounting Box, x5 M4.5 x 40 mm Counter Sunk Screws, x3 M4 x 25 mm Phillips Machine Screws
Models Available	V1+, V2+, and Hot+Cold
Compatibility Model V1+	House Hydrant V1+, Universal Hydrant, Marine Deckwash, RV City Water Inlet
Material	Stainless Steel
Rough-In Dimensions V1+	4" x 5"
Depths Available	1-1/2", 3", and 5-1/2"
Colors Available	Brushed Stainless Steel and Matte Black Stainless Steel
Warranty	5-year limited warranty

Care and Maintenance

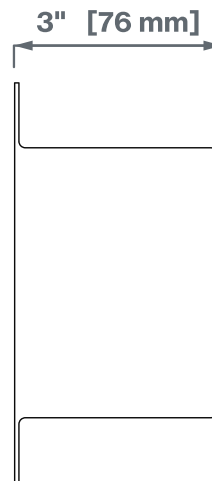
- To clean, use paper towels or a cloth, and gently wipe with warm water and mild soap.



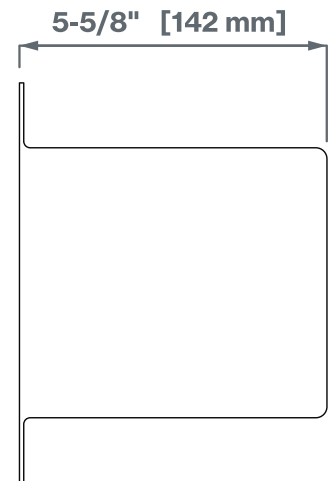
FRONT VIEW



MB-SSBOX-1A



MB-SSBOX-1B



MB-SSBOX-1C



Have Questions?
 We're here to help **Monday to Friday 9AM-4PM PST**
contact@aquorwatersystems.com (800) 458-1749.

Aquor® Stainless Steel Mounting Box V2+

07/2025
 MB-SSBOX-2SERIES
 Tech Specs



MB-SSBOX-2A



MB-SSBOX-2B



MB-SSBOX-2C



MB-SSBOX-2A-BLK



MB-SSBOX-2B-BLK



MB-SSBOX-2C-BLK

Stainless steel box for additional waterproof protection and easy brick installation. Recommended to ensure a flat install surface.

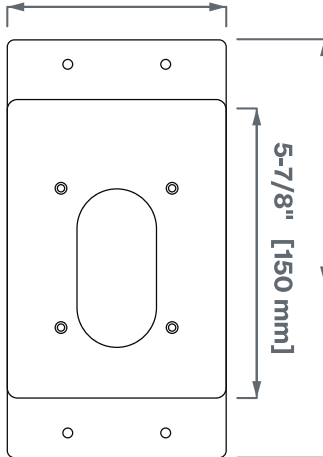
- Ideal for brick, stucco, and masonry
- Provides a flat mounting surface
- Includes mounting box and screws
- Available in 3 depths: 1-1/2", 3", and 5-1/2"

What's Included Model V2+	Mounting Box, x5 M4.5 x 40 mm Counter Sunk Screws, x4 M4 x 25 mm Phillips Machine Screws
Models Available	V1+, V2+, and Hot+Cold
Compatibility Model V2+	House Hydrant V2+
Material	Stainless Steel
Rough-In Dimensions V2+	4-1/2" x 6"
Depths Available	1-1/2", 3", and 5-1/2"
Colors Available	Brushed Stainless Steel and Matte Black Stainless Steel
Warranty	5-year limited warranty

Care and Maintenance

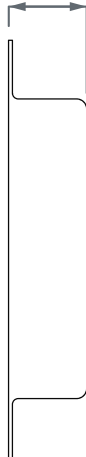
- To clean, use paper towels or a cloth, and gently wipe with warm water and mild soap.

4-1/3" [110 mm]



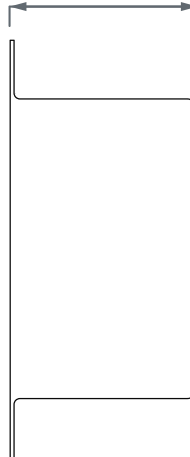
FRONT VIEW

1-5/8" [40 mm]



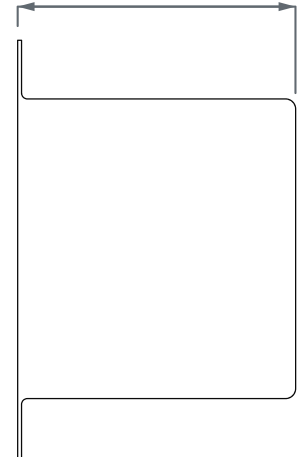
MB-SSBOX-2A

3" [76 mm]



MB-SSBOX-2B

5-5/8" [142 mm]



MB-SSBOX-2C



MB-SSBOX-HC1A



MB-SSBOX-HC1B



MB-SSBOX-HC1A-BLK



MB-SSBOX-HC1B-BLK

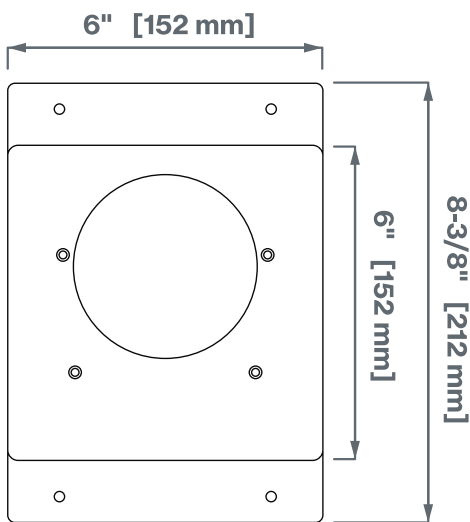
Stainless steel box for additional waterproof protection and easy brick installation. Recommended to ensure a flat install surface.

- Ideal for brick, stucco, and masonry
- Provides a flat mounting surface
- Includes mounting box and screws
- Available in 2 depths: 1-1/2" and 3"

What's Included Model Hot+Cold	Mounting Box, x5 M4.5 x 40 mm Counter Sunk Screws, x3 M4 x 25 mm Phillips Machine Screws
Models Available	V1+, V2+, and Hot+Cold
Compatibility Model Hot+Cold	Hot+Cold Hydrant
Material	Stainless Steel
Rough-In Dimensions Hot+Cold	6" x 6"
Depths Available	1-1/2" and 3"
Colors Available	Brushed Stainless Steel and Matte Black Stainless Steel
Warranty	5-year limited warranty

Care and Maintenance

- To clean, use paper towels or a cloth, and gently wipe with warm water and mild soap.



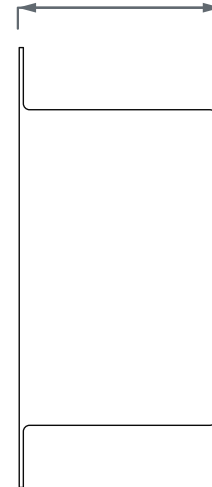
FRONT VIEW

1-5/8" [40 mm]



MB-SSBOX-HC1A

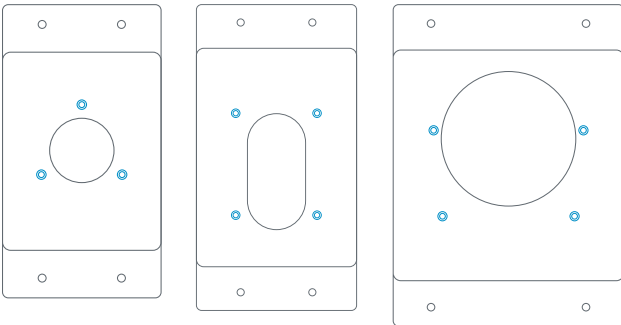
3" [76 mm]



MB-SSBOX-HC1B

Before You Install

Take note of the hole location to ensure you have the box in the right position.



1 Ensure box is level then secure mounting box flange to sheathing with included counter sunk fasteners.








2 Attach Hydrant to mounting box using included machine screws.



3 Cover flange with liquid or tape flashing for weatherproofing, then install rainscreen and siding.



Model	Use Case	Depths Available	Siding Rough-In Dimensions	Models Available	Finishes Available
	Level mounting surface (lap siding, etc.) for hydrant install	1"	N/A	V1+ and V2+	Teak
	Level mounting surface (masonry, brick, etc.) for hydrant install	N/A	N/A	V1+ and V2+	Stainless Steel and Matte Black
 Current Product	Level mounting surface (stucco, stone, brick, etc.) for hydrant install	V1+: 1-1/2", 3", 5-1/2" V2+: 1-1/2", 3", 5-1/2" Hot+Cold: 1-1/2" and 3"	V1+: 4" x 5" V2+: 4-1/2" x 6" Hot+Cold: 6" x 6"	V1+, V2+, and Hot+Cold	Stainless Steel and Matte Black
	Level mounting surface (stucco, stone, etc.) for hydrant install	7/8", 3", 5-1/2"	4" x 2-7/8"	V2+ only	N/A
	Simplify install (stucco, etc.) and provide easy front serviceability	2", 4"	1-3/4" Diameter Hole	V1+ only	N/A