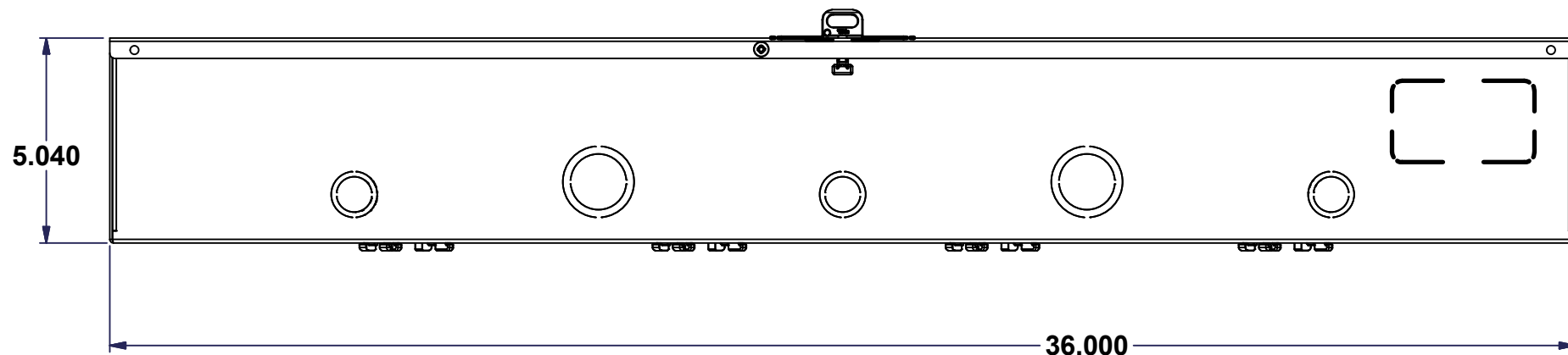
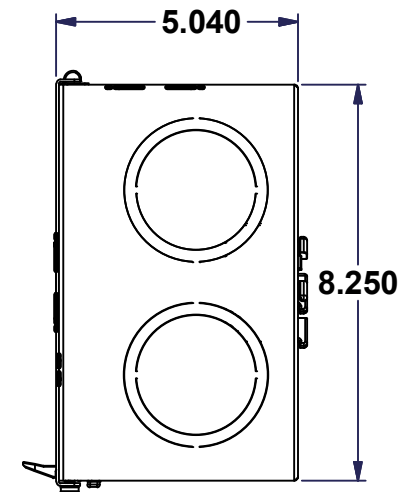
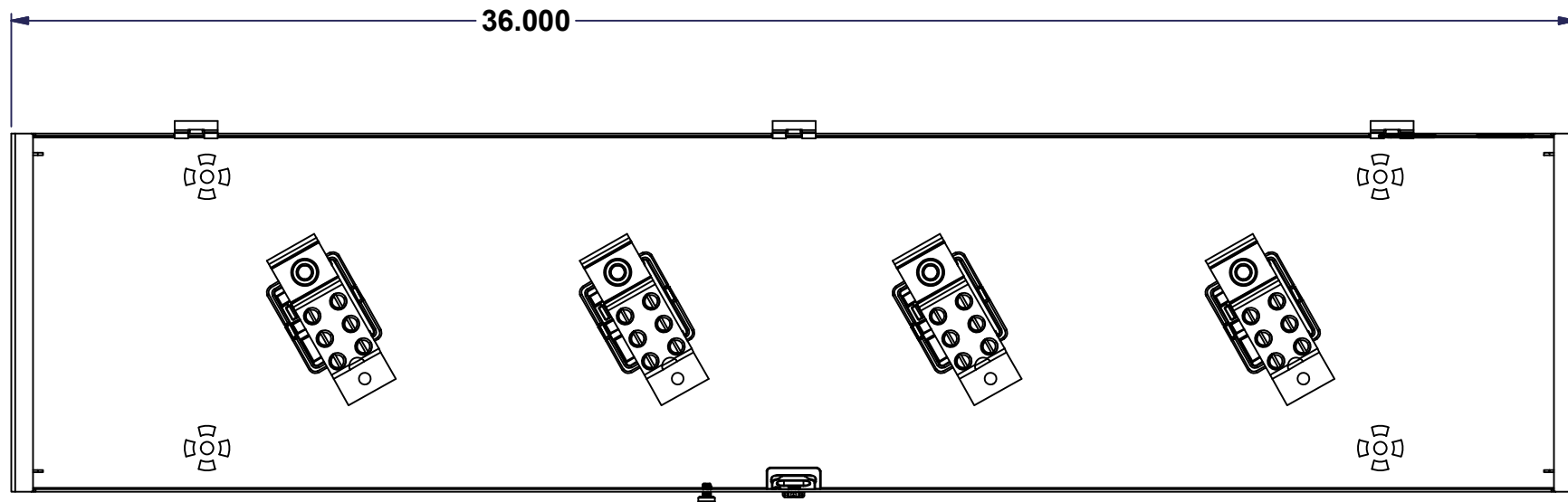
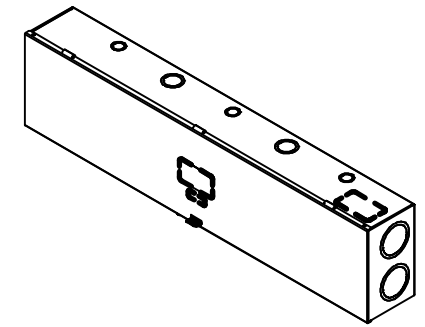


All knockouts are actual size / Les disques défonçables sont grandeur réel
 All dimensions are before paint / Toutes les dimensions sont avant peinture

This drawing is confidential and must not be reproduced or used without the consent of EXM




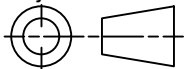
| No. | Revisions | Date | By/Par |
|-----|--|------------|---------|
| 1 | Redraw Model | 11/08/2008 | MichelP |
| 2 | Change Qty. tab on 400 & 600 AMP | 08/12/2008 | MichelP |
| 3 | Change for new hinge & change K-O size on 200 AMP | 19/10/2009 | MichelP |
| 4 | Turn into iLogic | 20/4/2010 | MichelP |
| 5 | Change sticker position and ground shape from 1.250 to 0.500 | 30/08/2010 | AllenL |



Isometric View



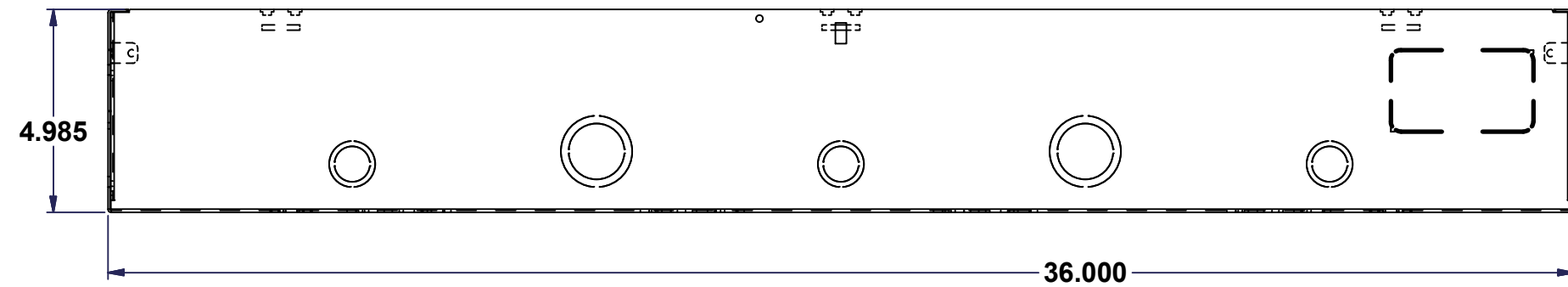
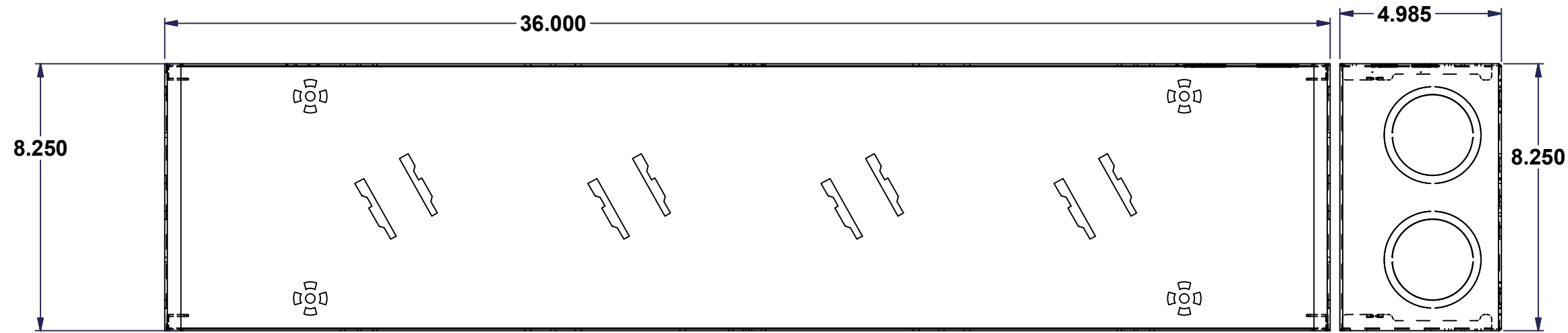
Ce dessin est confidentiel et ne doit pas être reproduit ou utilisé sans le consentement de EXM

| | | |
|--|------------------|---|
|  Tél: (450) 979-4373 Fax: (450) 979-4626 www.exmweb.com | | Flatness Aplatissement Max 3.0mm Projection  |
| Customer Client | | Date |
| Drawn By Dessiné Par | MichaelA | Date 10-Feb-15 |
| Material Matière | See Part List | |
| Color Couleur | See Part List | Finish Fini See Part List |
| Description 1100 T3204 Assembly | | Detail Rev. |
| Part Number Numéro Pièce | 1100T3204 | Rev. 5 |

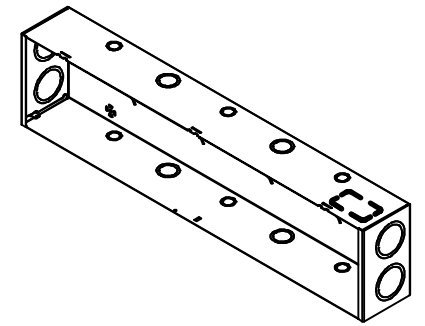
1
3

All knockouts are actual size / Les disques défonçables sont grandeur réel
 All dimensions are before paint / Toutes les dimensions sont avant peinture

This drawing is confidential and must not be reproduced or used without the consent of EXM




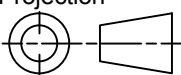
| No. | Revisions | Date | By/Par |
|-----|--|------------|---------|
| 1 | Redraw Model | 11/08/2008 | MichelP |
| 2 | Change Qty. tab on 400 & 600 AMP | 08/12/2008 | MichelP |
| 3 | Change for new hinge & change K-O size on 200 AMP | 19/10/2009 | MichelP |
| 4 | Turn into iLogic | 20/4/2010 | MichelP |
| 5 | Change sticker position and ground shape from 1.250 to 0.500 | 30/08/2010 | AllenL |



Isometric View

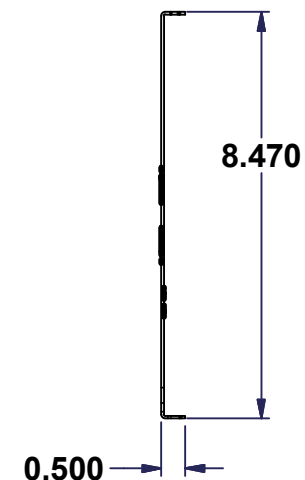
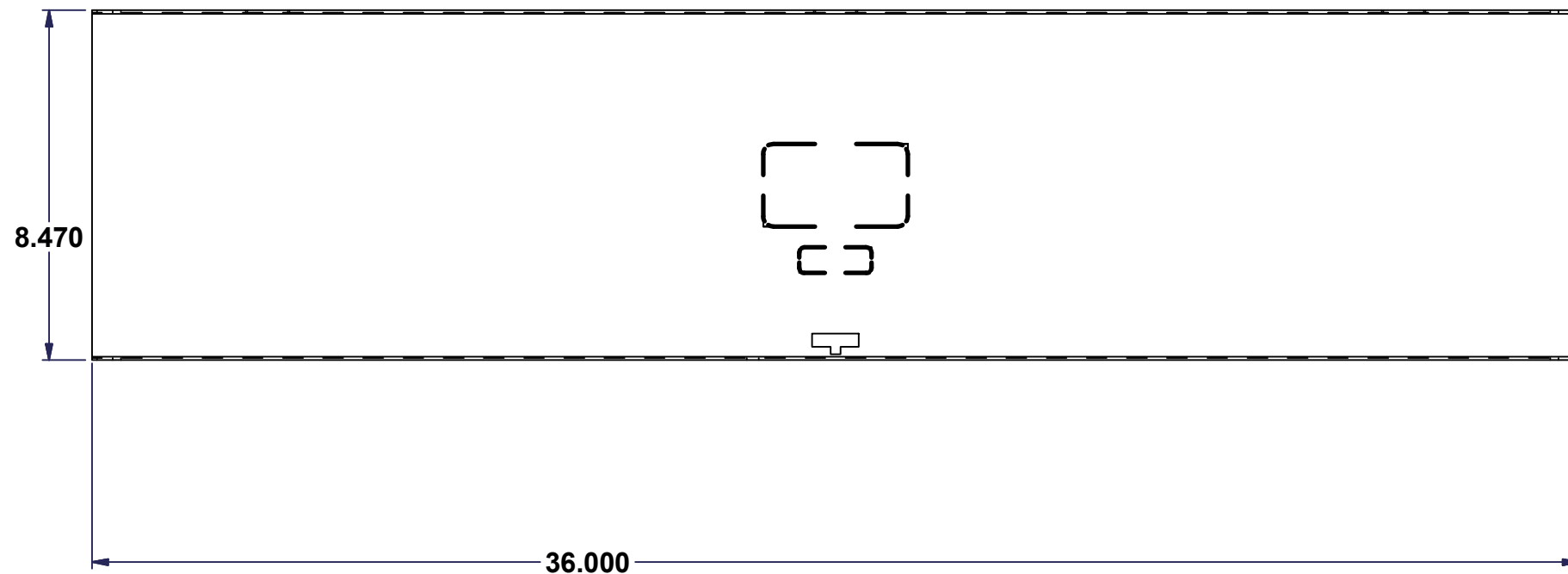


Ce dessin est confidentiel et ne doit pas être reproduit ou utilisé sans le consentement de EXM

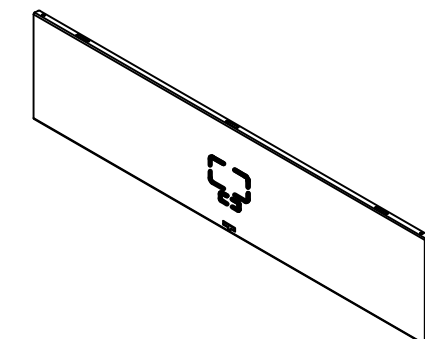
| | | |
|--|----------------|---|
|  Tél: (450) 979-4373 Fax: (450) 979-4626 www.exmweb.com | | Flatness Aplatissement Max 3.0mm Projection  |
| Customer Client | Date | |
| Drawn By Dessiné Par MichaelA | Date 10-Feb-15 | |
| Material Matière | See Part List | |
| Color Couleur | See Part List | Finish Fini See Part List |
| Description | Detail Rev. | |
| 1100 T3204 body | | |
| Part Number Numéro Pièce | Rev. | |
| 1100T3204B | 5 | 2 3 |

All knockouts are actual size / Les disques défonçables sont grandeur réel
 All dimensions are before paint / Toutes les dimensions sont avant peinture

This drawing is confidential and must not be reproduced or used without the consent of EXM




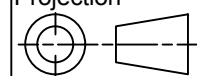
| No. | Revisions | Date | By/Par |
|-----|--|------------|---------|
| 1 | Redraw Model | 11/08/2008 | MichelP |
| 2 | Change Qty. tab on 400 & 600 AMP | 08/12/2008 | MichelP |
| 3 | change for new hinge & change K-O size on 200 AMP | 19/10/2009 | MichelP |
| 4 | Turn into iLogic | 20/4/2010 | MichelP |
| 5 | Change sticker position and ground shape from 1.250 to 0.500 | 30/08/2010 | AllenL |



Isometric View



Ce dessin est confidentiel et ne doit pas être reproduit ou utilisé sans le consentement de EXM

| | | |
|--|------------------------------|--|
|  Tél: (450) 979-4373 Fax: (450) 979-4626 www.exmweb.com | | Flatness Aplatissement Max 3.0mm |
| Projection  | | |
| Customer Client | | Date |
| Drawn By / Dessiné Par: MichaelA | | Date: 10-Feb-15 |
| Material / Matière | See Part List | |
| Color / Couleur: See Part List | Finish / Fini: See Part List | |
| Description: 1100 T320 Cover | Detail Rev. | |
| Part Number / Numéro Pièce: 1100T320C | Rev. 5 | 3 |