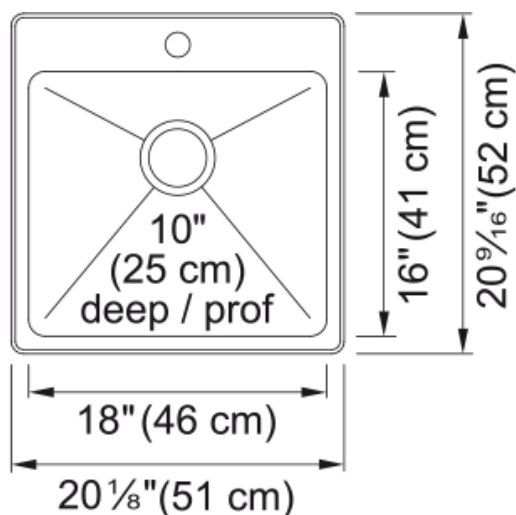


Steel Queen Dualmount Sink QSLF2020-10-1 | 101.0300.792



20.13-in x 20.56-in Dualmount Single Bowl 1-Hole Stainless Steel Laundry Sink. Kindred laundry/utility sinks help you tackle your toughest cleaning jobs. Easy to install and made to work, these models can handle anything from grass-stained jeans to muddy dogs. Consider an undermount placement for a fashionable look with an edgeless finish or an easy drop-in with the rim extending over the countertop. Made from resilient 20-gauge stainless steel and backed with a limited lifetime warranty, you can trust that this Kindred sink will provide you with reliable performance for years to come.

Aspect

Sink type	Sink
Type of material	Stainless steel
Number of bowls	1
Product color	Steel
Surface finish	Silk

Product Dimensions

Length (right to left)	20.079
Width (front to back)	20.472
Large bowl size: right to left	18.11
Large bowl size: front to back	16.142
Large bowl: depth	9.843

Installation

Minimum cabinet size	24"
----------------------	-----

Product specifications

Installation type	Topmount / drop in
Installation type	Undermount
Drain hole	3 1/2"
Position of drainer	No drainer
Active Twist Compatibility	No

Product identification

Brand	Kindred
Collection	Steel Queen

Features

Drainers number	No drainer
Product reversibility	No

Faucet ledge	Yes
Strainer assembly included	Yes
Strainer Assembly	Manual
Overflow	No
Number of faucet holes	1
Soap dispenser hole	No