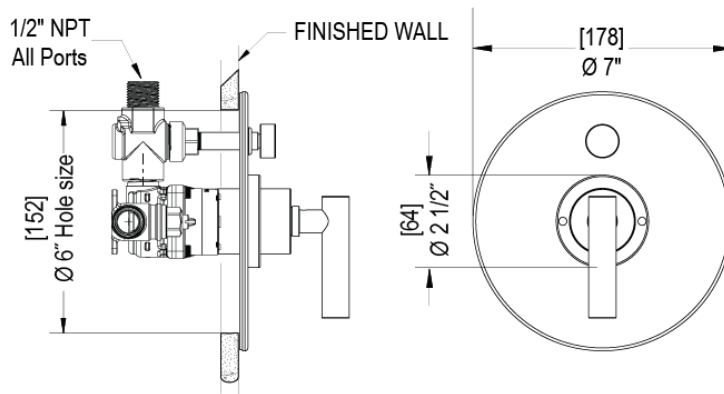


# T212GNLABMABM Specifications



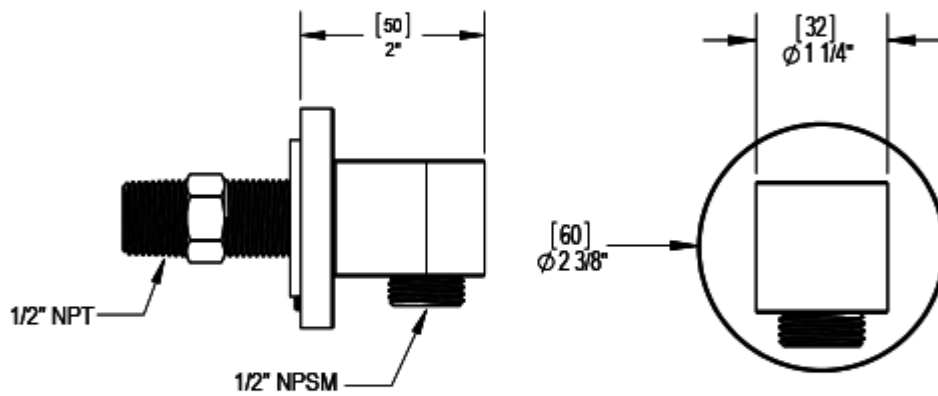


Pressure Balance Shower Valve with Stops & Two Way Diverter (Trim Only)





INTEGRAL SUPPLY WITH 1/2" NPT X 1/2" NPSM X 3" NIPPLE

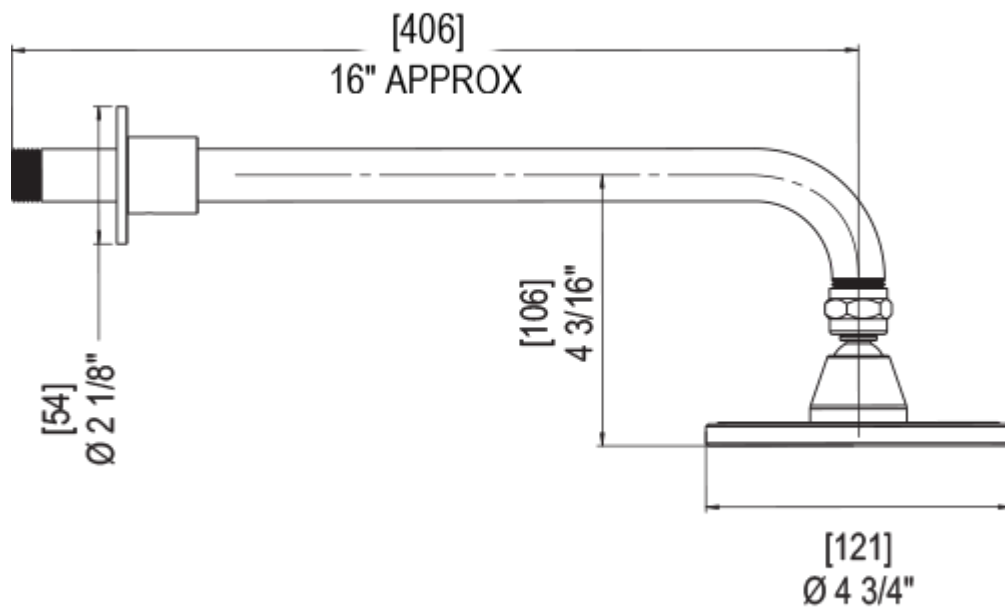


Features

- Flow rate: 2.5/1.8 gpm



5" Wall Mount Shower Head with Arm and Flange

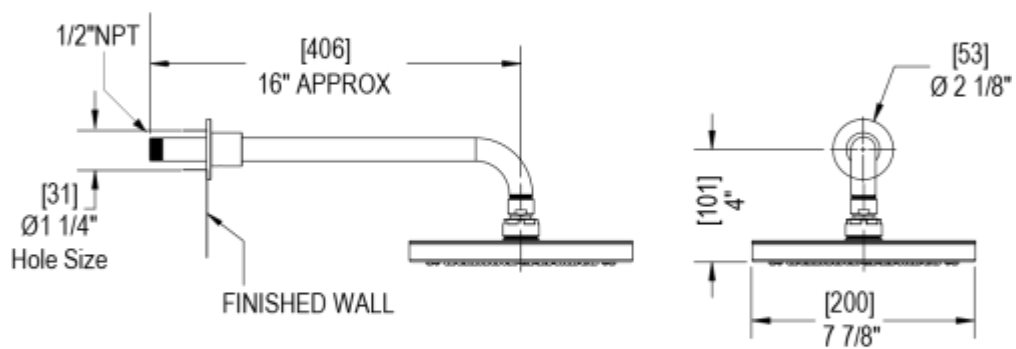


**Features**

- Flow rate: 2.5/1.8 gpm



8" Shower Head with Shower Arm & Flange Wall Mount





Adjustable Slide Bar with Hand Held Shower Assembly Single Function

