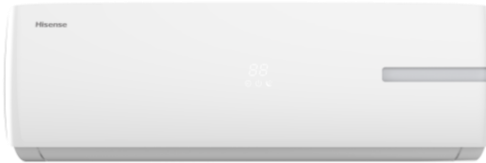


Project Name:	
Location:	
Engineer:	
Submitted to:	
Submitted by:	
Reference:	

Approval:	
Date:	
Construction:	
Unit #:	
Drawing #:	

Description: Hi-EDGE, 9,000 Btu/h, Single-Zone, Heatpump



Indoor Unit Model:

AS-12UW1SVEDLOO

Condensing Unit Model:

AS-12UW3SVEDLOOE

KEY FEATURES

Indoor Unit Features

- ❑ Easy install
- ❑ "8°C Heat" in remote controller + Auto Restart
- ❑ 2 Ways Draining Connection (Left or Right) + air flow
- ❑ Washable High Definition Filter
- ❑ Indoor Self-Cleaning
- ❑ Control:
 - ❖ Remote controller included
 - ❖ ConnectLife smart device app for remote access (Separate module needed)
 - ❖ Optional wiring control

Condensing Unit Features

- ❑ Self diagnostic and error code display
- ❑ Low operating temp: 5°F (-15 °C) for heating;
- ❑ Pan heater and Pan holes for easy draining of condensate.

REMOTE CONTROLLER

RCH-RTY5-0



- ❑ **Large Back Lit Display** for EZ read and control
- ❑ **Indoor Auto Cleaning mode** with FrostClean™ technology
- ❑ 24h Real Timer;
- ❑ **8° Celsius mode**, this feature maintains the room temperature steadily at 8°C and prevents the room from freezing
- ❑ Display Dimmer to eliminate light at night
- ❑ **Built-in Thermostat**: Control the temperature from where the user is and not where the AC is

Button Description	
Start/Stop	Start/Stop indoor unit
Timer on/Timer off	Set the time to turn on or turn off
Temperature	Set the target temperature
Mode	Select the operation mode
Speed	Set the fan speed
Super	Start the strong cooling/heating mode
Super	Set fast cooling and heating
8°C Heat	Maintains the room temperature steadily at 8°C
I FEEL	Control the temperature from where the user is and not where the PAC
Horizontal*/Vertical airflow	Set horizontal/Vertical airflow direction
Clean	Clean operation
AI Smart	Set the room temp automatically
Quiet	Start the quiet mode
Sleep/Dimmer	Set or cancel the sleep mode / press this button 5 seconds to start or stop DIMMER mode

*: Horizontal air flow is not available for Hi Ultra.

OPTIONAL WIRING CONTROLLER

- ❑ Large **LCD Display** for EZ read and control
- ❑ 24h Real Timer and **Weekly Timer** setting;
- ❑ **Difference between YXE-C01U1(E) and YXE-C02U1(E):**
 - ❖ **Signal receiver** of Remote Control – **only YXE-C01U1(E)**
 - ❖ **Central Controller** for Max. 16 units - **only YXE-C02U1(E)**
- ❑ **Sleep Mode:** Keeps pace with the body' s metabolism at night by moderately increasing the output temperature to eliminate the feeling of being cold at night. This feature also reduces power consumption

YXE-C01U1(E)
YXE-C02U1(E)



Button Description

- 1 **ON/OFF BUTTON**
The appliance will be started or stopped when this button is pressed.
- 2 **RUN INDICATOR**
Indicates that the appliance is on.
- 3 **MODE BUTTON**
Press this button to select the operation mode.
- 4 **FAN BUTTON**
Used to select fan speed in sequence high-auto-low-medium-high.
- 5 **SWING BUTTON (Invalid for some models)**
Used to stop or start adjustment louver swinging and set the desired airflow direction.
- 6 **TIMER/CLOCK BUTTON**
Used to set the current time or set timer ON/OFF.
- 7 **SLEEP BUTTON**
Used to set or cancel Sleep Mode operation.
- 8 **ENTER BUTTON**
Used to confirm settings.
- 9 **CANCEL BUTTON**
Used to cancel settings.
- 10 **ADD.FUNC. BUTTON (Invalid for some models)**
Used to set filter cleaning, hot water, fresh air, electric heater, etc.
- 11 **INCREASE SETTING BUTTON**
Used to raise the set temperature;
It raise the values when setting.
- 12 **DECREASE SETTING BUTTON**
Used to lower the set temperature;
It lower the values when setting.
- 13 **LIQUID CRYSTAL DISPLAY(LCD) SCREEN**
Used to display indicator screens.

Technical Spec.

Performance:

Cooling	Cooling Capacity	Btu/h	12,000
	Cooling Capacity Range	Btu/h	2500-13500
	Rated Input-Cooling	W	1200
Heating at 47°F	Heating Capacity	Btu/h	13,000
	Heating Capacity Range	Btu/h	2500-14500
	Rated Input-Heating	W	1,180
Heating at -8.3 °C (17°F AHRI)	Heating Capacity	Btu/h	7,200
Heating at -15 °C (5 °F)	Heating Capacity	Btu/h	6,300
Heating at -20 °C (-5 °F)	Heating Capacity	Btu/h	NA
Heating at -25 °C (-13 °F)	Heating Capacity	Btu/h	NA
Heating at -30 °C (-22 °F)	Heating Capacity	Btu/h	NA

Efficiency:

SEER	17.90
SEER2	17.50
HSPF	9.35
HSPF2	8.00
EER -BTU/W	10.00
COP -BTU/W	11.19

Outdoor Operating Temperature Range:

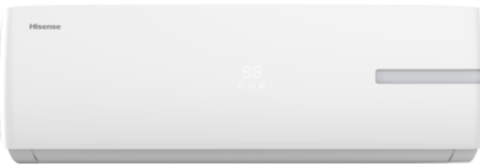
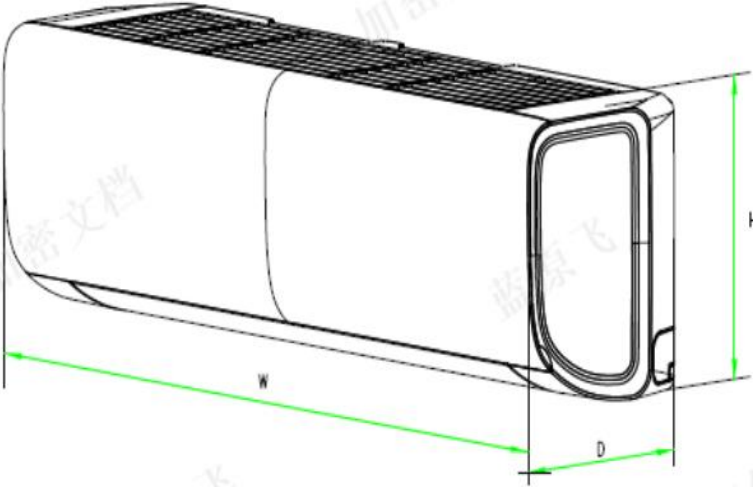
Working Temperature Range - Cooling	(°C/°F)	0°C-46°C; (32°F-115°F)
Working Temperature Range - Heating	(°C/°F)	-15°C-24°C; (5°F-75°F)

Electrical:

Power Supply	115V~,60Hz,1P	
Rated Current	Cooling (A)	10.8
	Heating (A)	10.8
Current Range	Cooling (A)	2.5-15
	Heating (A)	2.5-15
Max Fuse Size/Fusible Max.	A	25
Min.Circuit Ampacity	A	16.5

Technical Spec.

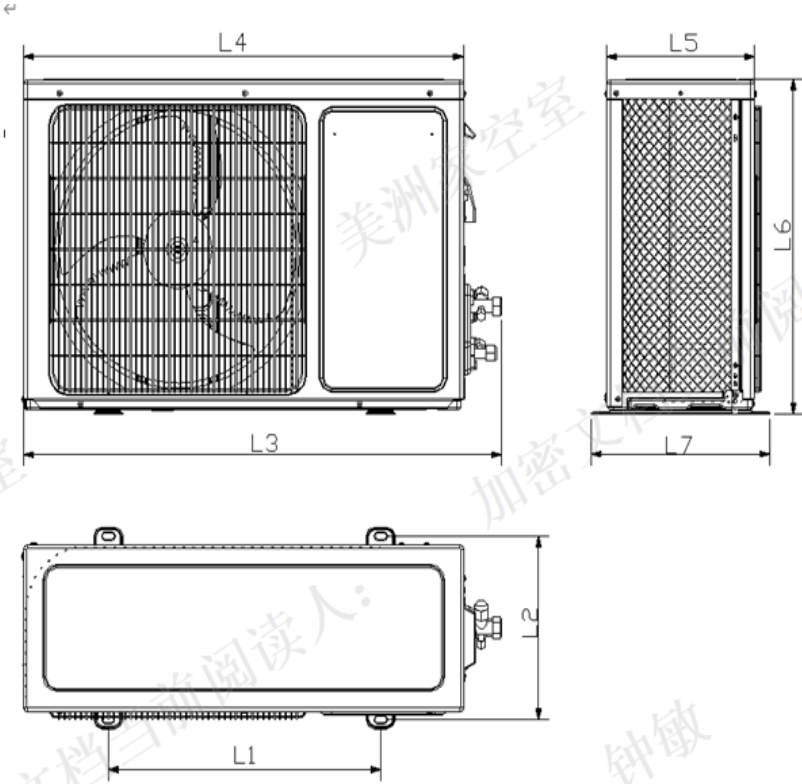
Indoor Unit Specifications:		
Fan Motor Output	W	14
Fan Motor Speed (H/M/L)	RPM	1150/990/800
Moisture Removal	L/H.r	1.2
Air Circulation (Ultra\High\Medium\Low)	m3/h	670/620/550/430
Sound Pressure (Higer/H/M/L/silence)	dB (A)	40/40/36/33/26
Net Dimensions WxHxD	mm	843×278×211
	in.	33 3/16x10 15/16 x8 5/16
Net Weight	kg	9.0
	lbs.	19.8
Outdoor Unit Specifications:		
Fan Motor Output	W	30
Fan Motor Speed (H/M/L)	RPM	850
Sound pressure	dB (A)	54
Refrigerant charge volume	g	R410A/1000
Net Dimensions WxHxD	mm	715×482×240
	in.	28 1/8x19x9 7/16
Net Weight	kg	27
	lbs.	59.5
Liquid Pipe	in.	1/4
Gas Pipe	in.	3/8
Maximum Piping Length	m.	20
Maximum Height Difference	m.	10
Model No.	Description: (Optional Controls)	
RCH-RTY5-0	Remote Controller	
YXE-C01U1	Wired Controller (Optional)	

DIMENSIONAL DRAWING
Indoor Unit**Unit: inch(mm)**

	W	H	D
mm	840	280	215
inch	33.1	11.0	8.5

DIMENSIONAL DRAWING
Condensing Units

Unit: inch(mm)



	L1	L2	L3	L4	L5	L6	L7
mm	443	264	776	715	240	482	290
inch	17.4	10.4	30.6	28.1	9.4	19	11.4