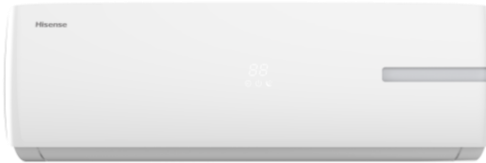


| | |
|---------------|--|
| Project Name: | |
| Location: | |
| Engineer: | |
| Submitted to: | |
| Submitted by: | |
| Reference: | |

| | |
|---------------|--|
| Approval: | |
| Date: | |
| Construction: | |
| Unit #: | |
| Drawing #: | |
| | |

Description: Hi-EDGE, 9,000 Btu/h, Single-Zone, Heatpump



Indoor Unit Model:

AS-09UW3SVDDL00

Condensing Unit Model:

AS-09UW3SVDDLE

KEY FEATURES

Indoor Unit Features

- ❑ Easy install
- ❑ "8°C Heat" in remote controller + Auto Restart
- ❑ 2 Ways Draining Connection (Left or Right) + air flow
- ❑ Washable High Definition Filter
- ❑ Indoor Self-Cleaning
- ❑ Control:
 - ❖ Remote controller included
 - ❖ ConnectLife smart device app for remote access (Separate module needed)
 - ❖ Optional wiring control

Condensing Unit Features

- ❑ Self diagnostic and error code display
- ❑ Low operating temp: 5°F (-15 °C) for heating;
- ❑ Pan heater and Pan holes for easy draining of condensate.

REMOTE CONTROLLER

RCH-RTY5-0



- ❑ **Large Back Lit Display** for EZ read and control
- ❑ **Indoor Auto Cleaning mode** with FrostClean™ technology
- ❑ 24h Real Timer;
- ❑ **8° Celsius mode**, this feature maintains the room temperature steadily at 8°C and prevents the room from freezing
- ❑ Display Dimmer to eliminate light at night
- ❑ **Built-in Thermostat**: Control the temperature from where the user is and not where the AC is

| Button Description | |
|------------------------------|---|
| Start/Stop | Start/Stop indoor unit |
| Timer on/Timer off | Set the time to turn on or turn off |
| Temperature | Set the target temperature |
| Mode | Select the operation mode |
| Speed | Set the fan speed |
| Super | Start the strong cooling/heating mode |
| Super | Set fast cooling and heating |
| 8°C Heat | Maintains the room temperature steadily at 8°C |
| I FEEL | Control the temperature from where the user is and not where the PAC |
| Horizontal*/Vertical airflow | Set horizontal/Vertical airflow direction |
| Clean | Clean operation |
| AI Smart | Set the room temp automatically |
| Quiet | Start the quiet mode |
| Sleep/Dimmer | Set or cancel the sleep mode / press this button 5 seconds to start or stop DIMMER mode |

*: Horizontal air flow is not available for Hi Ultra.

OPTIONAL WIRING CONTROLLER

- ❑ Large **LCD Display** for EZ read and control
- ❑ 24h Real Timer and **Weekly Timer** setting;
- ❑ **Difference between YXE-C01U1(E) and YXE-C02U1(E):**
 - ❖ **Signal receiver** of Remote Control – **only YXE-C01U1(E)**
 - ❖ **Central Controller** for Max. 16 units - **only YXE-C02U1(E)**
- ❑ **Sleep Mode:** Keeps pace with the body' s metabolism at night by moderately increasing the output temperature to eliminate the feeling of being cold at night. This feature also reduces power consumption

YXE-C01U1(E)
YXE-C02U1(E)



Button Description

- 1 **ON/OFF BUTTON**
The appliance will be started or stopped when this button is pressed.
- 2 **RUN INDICATOR**
Indicates that the appliance is on.
- 3 **MODE BUTTON**
Press this button to select the operation mode.
- 4 **FAN BUTTON**
Used to select fan speed in sequence high-auto-low-medium-high.
- 5 **SWING BUTTON** (Invalid for some models)
Used to stop or start adjustment louver swinging and set the desired airflow direction.
- 6 **TIMER/CLOCK BUTTON**
Used to set the current time or set timer ON/OFF.
- 7 **SLEEP BUTTON**
Used to set or cancel Sleep Mode operation.
- 8 **ENTER BUTTON**
Used to confirm settings.
- 9 **CANCEL BUTTON**
Used to cancel settings.
- 10 **ADD.FUNC. BUTTON** (Invalid for some models)
Used to set filter cleaning, hot water, fresh air, electric heater, etc.
- 11 **INCREASE SETTING BUTTON**
Used to raise the set temperature;
It raise the values when setting.
- 12 **DECREASE SETTING BUTTON**
Used to lower the set temperature;
It lower the values when setting.
- 13 **LIQUID CRYSTAL DISPLAY(LCD) SCREEN**
Used to display indicator screens.

Technical Spec.

Performance:

| | | | |
|-----------------------------------|------------------------|-------|------------|
| Cooling | Cooling Capacity | Btu/h | 9,000 |
| | Cooling Capacity Range | Btu/h | 1200-10000 |
| | Rated Input-Cooling | W | 818 |
| Heating at 47°F | Heating Capacity | Btu/h | 9,500 |
| | Heating Capacity Range | Btu/h | 1200-10000 |
| | Rated Input-Heating | W | 773 |
| Heating at -8.3 °C (17°F AHRI) | Heating Capacity | Btu/h | 5,000 |
| Heating at -15 °C (5 °F) | Heating Capacity | Btu/h | 5,000 |
| Heating at -20 °C (-5 °F) | Heating Capacity | Btu/h | NA |
| Heating at -25 °C (-13 °F) | Heating Capacity | Btu/h | NA |
| Heating at -30 °C (-22 °F) | Heating Capacity | Btu/h | NA |

Efficiency:

| | |
|------------|-------|
| SEER | 19.3 |
| SEER2 | 18.5 |
| HSPF | 10.5 |
| HSPF2 | 8.0 |
| EER -BTU/W | 11 |
| COP -BTU/W | 12.28 |

Outdoor Operating Temperature Range:

| | | |
|--|---------|---------------------------|
| Working Temperature Range - Cooling | (°C/°F) | 0°C-46°C; (32°F-115°F) |
| Working Temperature Range - Heating | (°C/°F) | -15°C-24°C; (5°F-75°F) |

Electrical:

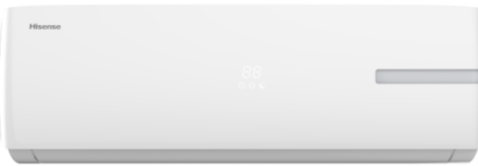
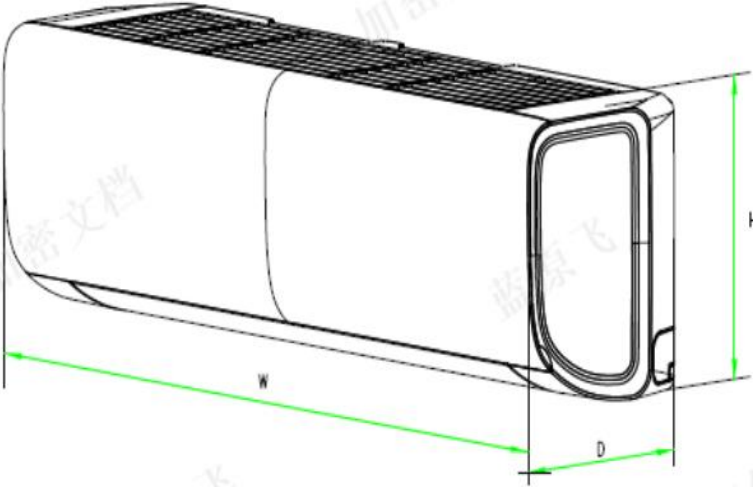
| | | |
|----------------------------|-------------|--------------|
| Power Supply | | 115~,60Hz,1P |
| Rated Current | Cooling (A) | 7.4 |
| | Heating (A) | 7.4 |
| Current Range | Cooling (A) | 2.0-12 |
| | Heating (A) | 2.0-12 |
| Max Fuse Size/Fusible Max. | A | 20 |
| Min.Circuit Ampacity | A | 13.5 |

Technical Spec.

| Indoor Unit Specifications: | | |
|--|------------------------------------|--------------------------|
| Fan Motor Output | W | 16 |
| Fan Motor Speed (H/M/L) | RPM | 1150/990/800 |
| Moisture Removal | L/H.r | 0.9 |
| Air Circulation (Ultra\High\Medium\Low) | m ³ /h | 630/550/460/300 |
| Sound Pressure (Higer/H/M/L/silence) | dB (A) | 42/39/36/33/26 |
| Net Dimensions WxHxD | mm | 773×278×211 |
| | in. | 30 7/16x10 15/16 x8 5/16 |
| Net Weight | kg | 8.5 |
| | lbs. | 18.7 |
| Outdoor Unit Specifications: | | |
| Fan Motor Output | W | 30 |
| Fan Motor Speed (H/M/L) | RPM | 850 |
| Sound pressure | dB (A) | 53 |
| Refrigerant charge volume | g | R410A/840 |
| Net Dimensions WxHxD | mm | 715×482×240 |
| | in. | 28 1/8x19x9 7/16 |
| Net Weight | kg | 25 |
| | lbs. | 55.1 |
| Liquid Pipe | in. | 1/4 |
| Gas Pipe | in. | 3/8 |
| Maximum Piping Length | m. | 20 |
| Maximum Height Difference | m. | 10 |
| Model No. | Description: (Optional Controls) | |
| RCH-RTY5-0 | Remote Controller | |
| YXE-C01U1 | Wired Controller (Optional) | |

DIMENSIONAL DRAWING
Indoor Unit

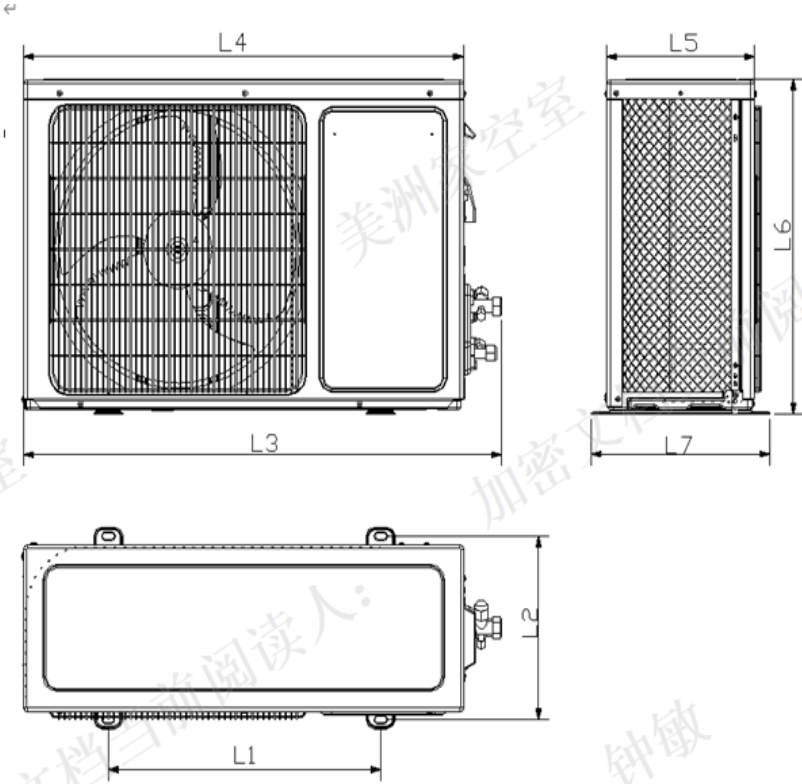
Unit: inch(mm)



| | W | H | D |
|------|------|------|-----|
| mm | 775 | 280 | 215 |
| inch | 30.5 | 11.0 | 8.5 |

DIMENSIONAL DRAWING
Condensing Units

Unit: inch(mm)



| | L1 | L2 | L3 | L4 | L5 | L6 | L7 |
|------|------|------|------|------|-----|-----|------|
| mm | 443 | 264 | 776 | 715 | 240 | 482 | 290 |
| inch | 17.4 | 10.4 | 30.6 | 28.1 | 9.4 | 19 | 11.4 |